



# Auto Sheet Feeder A3 Plus

User Manual

# Contents

About the Auto Sheet Feeder A3 Plus .....	1
What's in the Box? .....	1
Machine Parts .....	2
Register Your Machine .....	3
Connect the Auto Sheet Feeder A3 Plus .....	4
Cameo® 4 Plus Setup .....	4
Cameo® 4 Pro Setup .....	6
Prepare the Auto Sheet Feeder A3 Plus .....	8
Turn On the Auto Sheet Feeder A3 Plus .....	8
Compatible Materials .....	8
Load Material .....	9
Download and Install Silhouette Studio® .....	10
Navigate Silhouette Studio® .....	11
Print & Cut .....	12
Barcodes .....	14
Send Panel .....	15
Cut Designs .....	16
Kiss-cut .....	17
Pop-out Cut .....	18
Troubleshooting .....	19
Material Is Jammed in the Auto Sheet Feeder A3 Plus .....	19
Material Is Not Ejected from the Cutting Machine .....	19
Material Is Not Loading Smoothly .....	20
Safety Precautions .....	21
Where to Find More Information .....	22

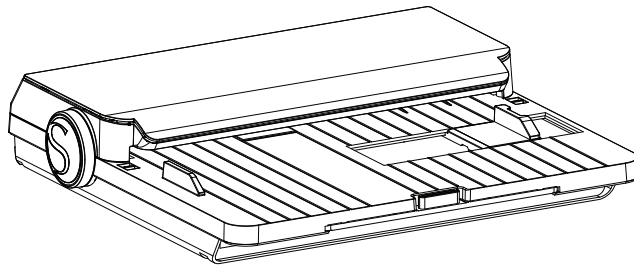
## About the Auto Sheet Feeder A3 Plus

The Silhouette Auto Sheet Feeder A3 Plus is a companion machine that simplifies the bulk cutting process by automatically loading sheet materials into your Silhouette cutting machine. Place up to 20 sheets of material into the top tray and set the number of copies to be cut in Silhouette Studio®. Then, the Auto Sheet Feeder A3 Plus loads each sheet into the cutting machine for a seamless, matless cut job. Cut the same design multiple times, or send different cut jobs at the same time using barcodes.

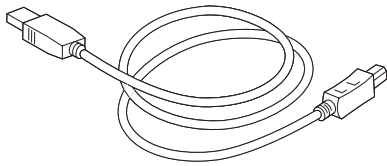
*The Auto Sheet Feeder A3 Plus is only compatible with the Silhouette Cameo® 4 Plus and Cameo® 4 Pro. Users who work with the Silhouette Portrait® 3 and Cameo® 4 must use the standard Auto Sheet Feeder.*

## What's in the Box?

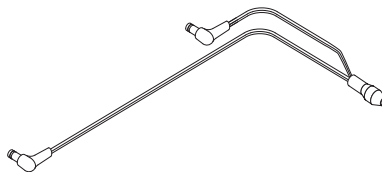
The Silhouette Auto Sheet Feeder A3 Plus comes with the items shown in the following list. Check that all of the items have been included before you proceed to use the machine. If you are missing any items listed below, please contact [support@silhouetteamerica.com](mailto:support@silhouetteamerica.com).



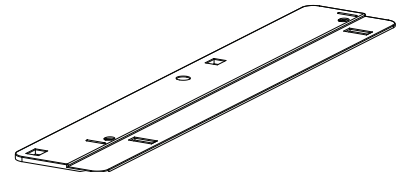
*Silhouette Auto Sheet Feeder A3 Plus*



*USB cable*



*AC power divider cable*

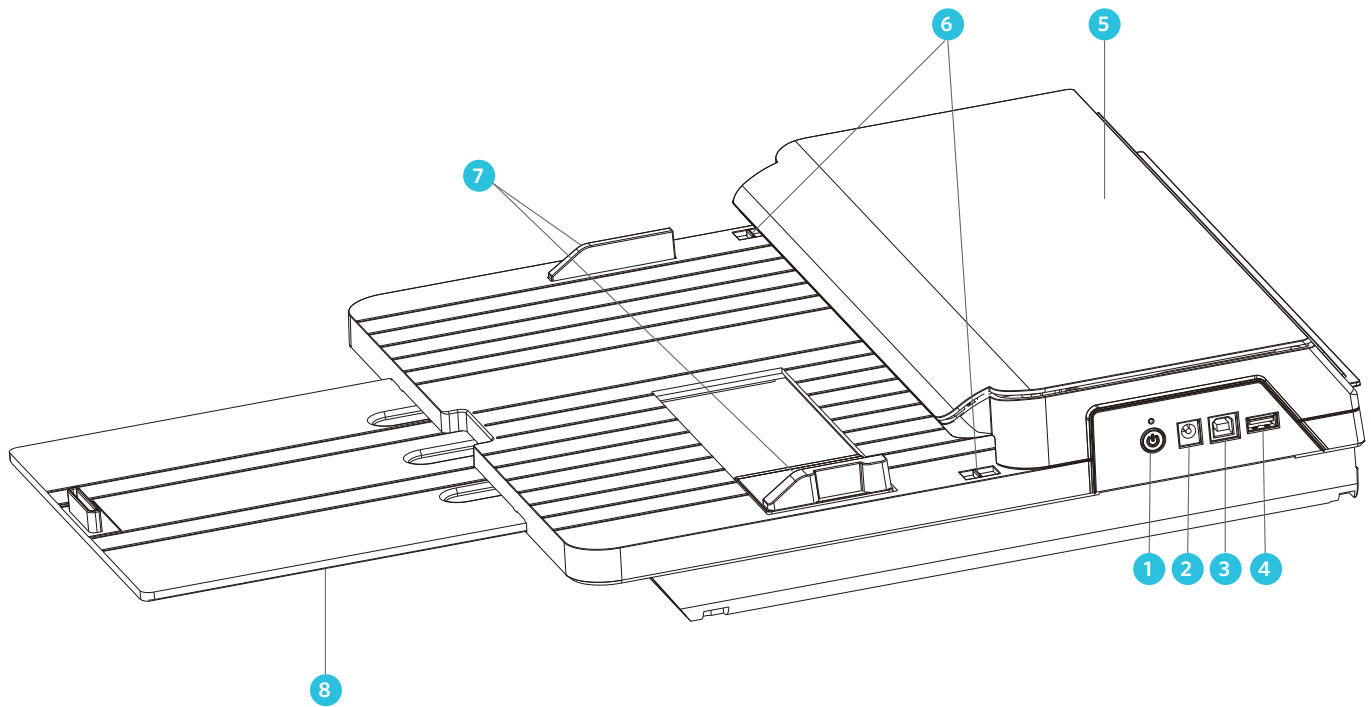


*Positioning plate*



*Positioning pins*

## Machine Parts



1. Power Button—Switches the power on and off.
2. Power Cable Port—An outlet for connecting the AC adapter.
3. USB-B Port—An outlet for connecting the Auto Sheet Feeder to a personal computer.
4. USB-A Port—An outlet for connecting the Auto Sheet Feeder to the cutting machine.
5. Cover—Holds the mechanism that loads material into the cutting machine.
6. Cover Tabs—Levers for opening the lid at the top of the machine.
7. Paper Guides—Adjust to match the material width being used.
8. Support Tray—An extendable tray that supports the material to be loaded.

# Register Your Machine

Go to [silhouetteamerica.com/setup](https://silhouetteamerica.com/setup) to go through all of the proper steps to set up your machine. The first thing to do is sign in, or create a Silhouette account if necessary, and register your machine.

If you have an account, input your login credentials and click “Sign In.”

If you don't have a Silhouette account, click the “Create Account” button. Fill in your information. When you're finished, click the “Create Account” button at the bottom of the pop-up.

Next, you'll enter your address. After submitting that information, you'll see this screen, which you'll use to register your machine. You'll enter your machine's serial number, which you can find on a sticker on the bottom of your machine. You'll also enter the purchase date and where you purchased it from.

For Windows users: If [silhouetteamerica.com/setup](https://silhouetteamerica.com/setup) freezes or otherwise does not display properly, you may be trying to access the page using an older internet browser. Open the page using Microsoft Edge, Google Chrome, or Firefox.

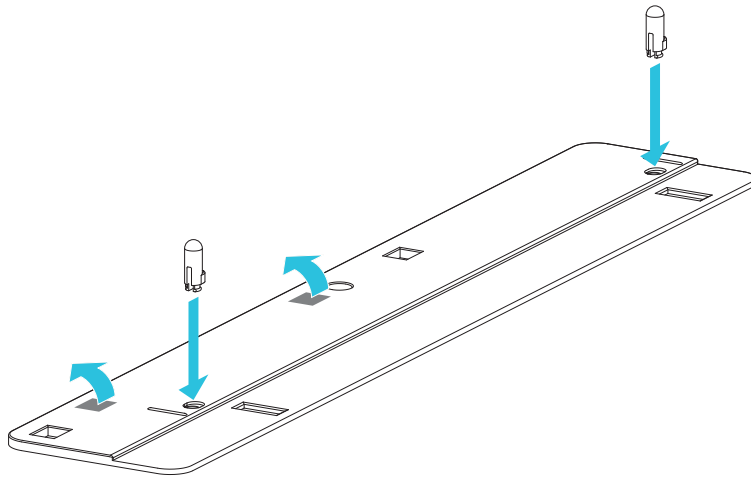
## Connect the Auto Sheet Feeder A3 Plus

The Auto Sheet Feeder A3 Plus needs to be properly set up and connected to your Silhouette cutting machine. Incorrect setup may lead to loading problems, material jams, and inaccurate cuts. Follow these instructions to ensure that the Auto Sheet Feeder A3 Plus is stable and correctly connected to your Silhouette machine and your computer.

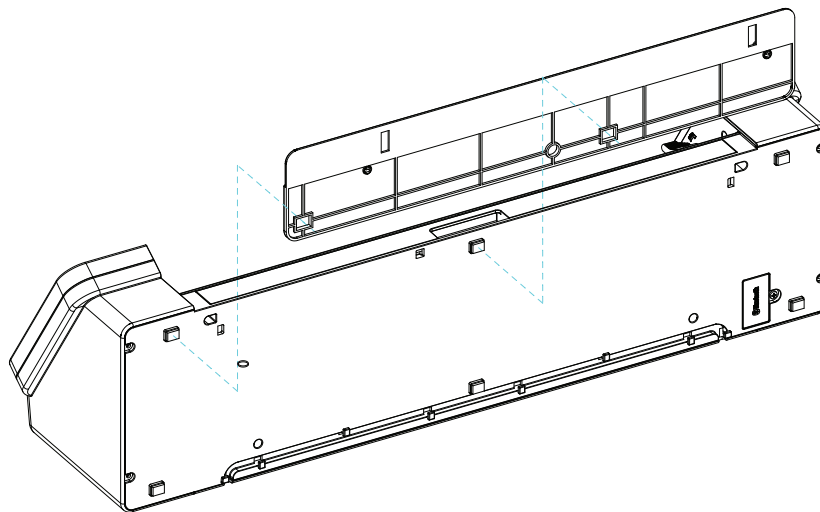
*Reminder: The Auto Sheet Feeder A3 Plus is only compatible with the Silhouette Cameo® 4 Plus and Cameo® 4 Pro. This model is incompatible with the Portrait® 3 and Cameo® 4. The standard Auto Sheet Feeder is needed for use with the Portrait® 3 and Cameo® 4.*

### Cameo® 4 Plus Setup

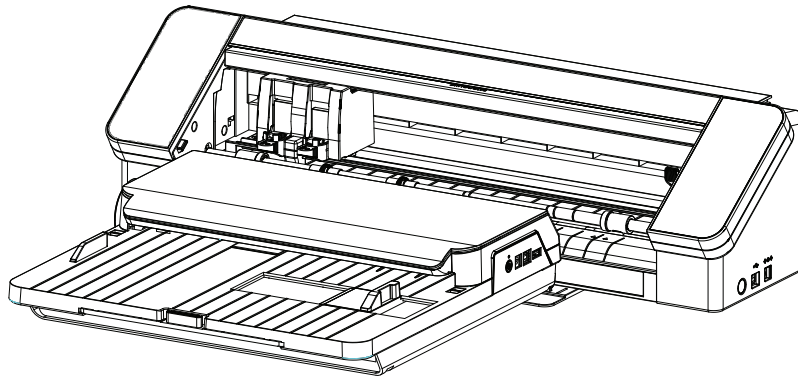
First, remove the release paper from the double-sided tape and attach the pins to the positioning plate. Pinch the bottom of each pin and place them into the small circular holes. The notches on the pins should rest in the small grooves in the positioning plate next to the small holes.



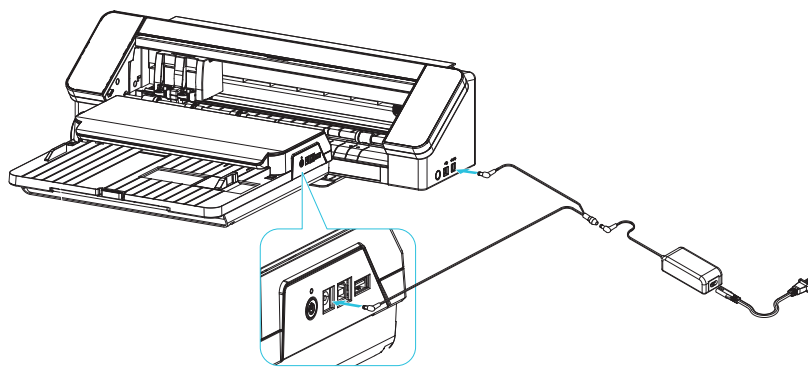
Next, align the legs of the Cameo® 4 Plus with the small rectangular holes on the positioning plate and attach them.



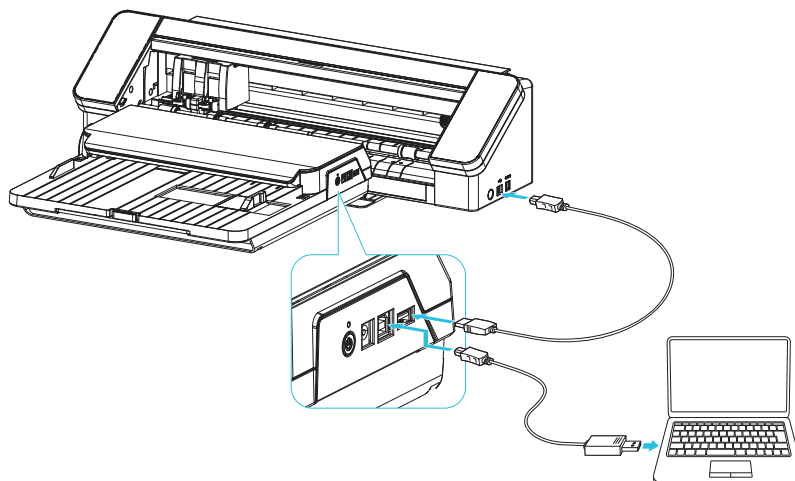
Align the Auto Sheet Feeder A3 Plus with the pins you attached to the positioning plate. The Auto Sheet Feeder A3 Plus should be stable and firmly in place. If the Auto Sheet Feeder A3 Plus shifts out of place at any point, it may need to be repositioned on the positioning base.



Use the power divider cable included with the Auto Sheet Feeder A3 Plus to connect the machine to the Cameo® 4 Plus. Plug the AC cable that came with your Cameo® 4 Plus into the base of the power divider cable, then into your power outlet.

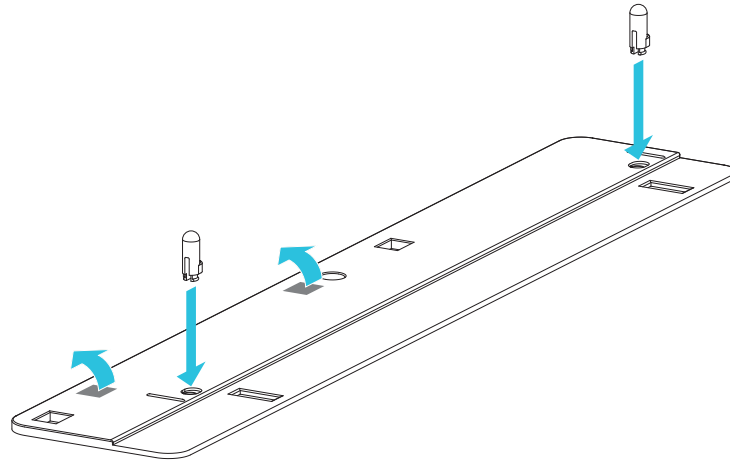


Finally, connect the Auto Sheet Feeder A3 Plus and the Cameo® 4 Plus using the short USB cable included with the Auto Sheet Feeder A3 Plus. Use the longer USB cable that came with your Cameo® 4 Plus to connect the Auto Sheet Feeder to your computer.

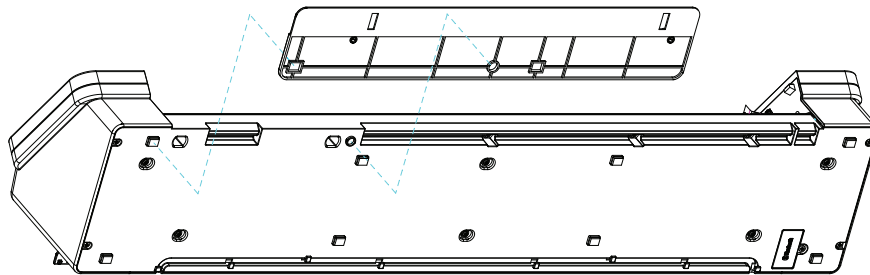


## Cameo® 4 Pro Setup

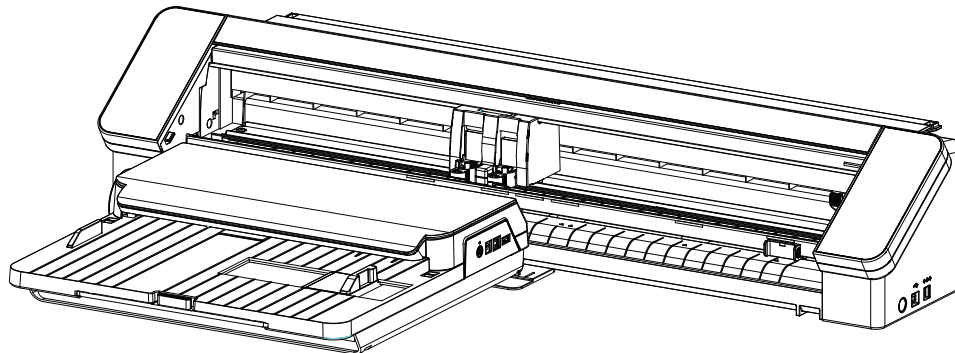
First, remove the release paper from the double-sided tape and attach the pins to the positioning plate. Pinch the bottom of each pin and place them into the small circular holes. The notches on the pins should rest in the small grooves in the positioning plate next to the small holes.



Next, align the legs of the Cameo® 4 Pro with the small rectangular holes on the positioning plate and attach them.

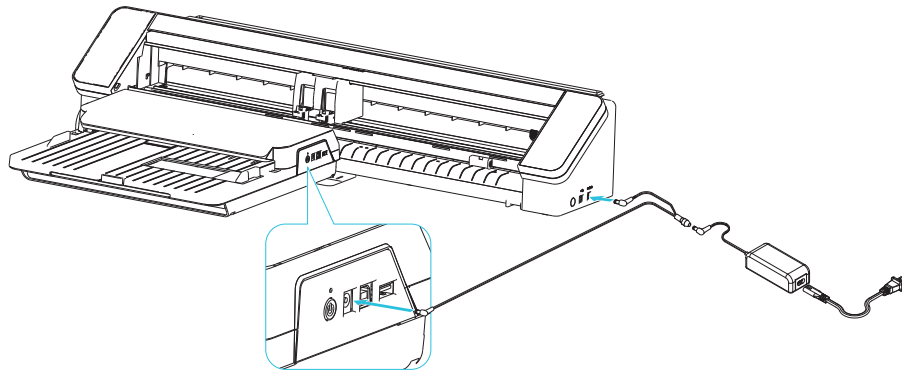


Align the Auto Sheet Feeder A3 Plus with the pins you attached to the positioning plate. The Auto Sheet Feeder A3 Plus should be stable and firmly in place. If the Auto Sheet Feeder A3 Plus shifts out of place at any point, it may need to be repositioned on the positioning base.

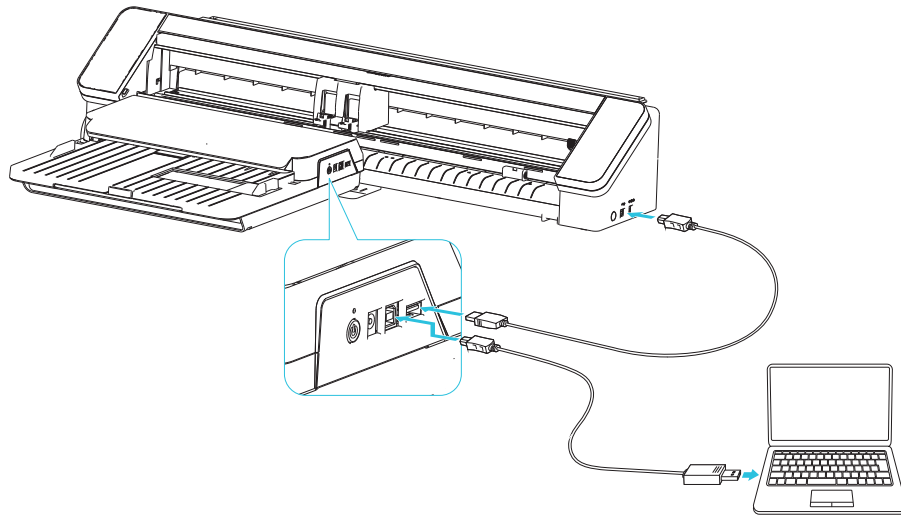




Use the power divider cable included with the Auto Sheet Feeder A3 Plus to connect the machine to the Cameo® 4 Pro. Plug the AC cable that came with your Cameo® 4 Pro into the base of the power divider cable, then into your power outlet.



Finally, connect the Auto Sheet Feeder A3 Plus and the Cameo® 4 Pro using the short USB cable included with the Auto Sheet Feeder A3 Plus. Use the longer USB cable that came with your Cameo® 4 Pro to connect the Auto Sheet Feeder A3 Plus to your computer.



## Prepare the Auto Sheet Feeder A3 Plus

### Turn On the Auto Sheet Feeder A3 Plus

Turn the Auto Sheet Feeder A3 Plus on by pressing the power button on the right side of the machine. The machine will make a quick whirring sound as it starts up, and the light will turn green. You will also need to turn on your cutting machine.



### Compatible Materials

The Auto Sheet Feeder A3 Plus can load a wide variety of different materials into your cutting machine. A3, A4, and US Letter-sized materials can be used.

- ▶ Sticker paper
- ▶ Cardstock
- ▶ Photo paper
- ▶ Other sheet materials

When selecting a material to load into your cutting machine using the Auto Sheet Feeder A3 Plus, there are a few considerations to keep in mind.

- ▶ Materials that are folded, wrinkled, wet, heavily curved, or otherwise damaged may not be used with the Auto Sheet Feeder A3 Plus.
- ▶ Curved materials may not load properly into the machine. If the material is curved, correct the curve by rolling the material up in the opposite direction prior to loading.
- ▶ Materials with an adhesive surface are not compatible with the Auto Sheet Feeder A3 Plus.
- ▶ Media full of static electricity may not be loaded properly.
- ▶ Material may warp after designs are printed onto it. Too much warping may lead to material not loading properly.
- ▶ Materials may be too thin or thick for use with the Auto Sheet Feeder A3 Plus. Review the Auto Sheet Feeder A3 Plus' technical specifications for more information on media thickness compatibility.

## Load Material

You must first place material into the Auto Sheet Feeder A3 Plus before it can load each sheet into your cutting machine. Depending on material thickness, you may load up to 20 material sheets into the Auto Sheet Feeder A3 Plus at a time.

- ▶ Straighten the edges of the media before loading.
- ▶ Extend the support tray at the front of the Auto Sheet Feeder A3 Plus. This will support your material as it extends past the loading tray.
- ▶ Align the media with the guide on the left and load it vertically into the machine until it firmly reaches the back.
- ▶ Adjust the paper guide on the right to match the material width.
- ▶ Adjust the rollers on the cutting machine to match the material width.



*Cameo® 4 Plus*



*Cameo® 4 Pro*

If you meet resistance while loading material into the Auto Sheet Feeder A3 Plus, do not try to force it through the machine. Media will not fully roll through the machine when first loaded into the Auto Sheet Feeder A3 Plus. You may also be trying to load too many sheets at once; remove a few sheets from the material stack and try loading the media into the Auto Sheet Feeder A3 Plus again.

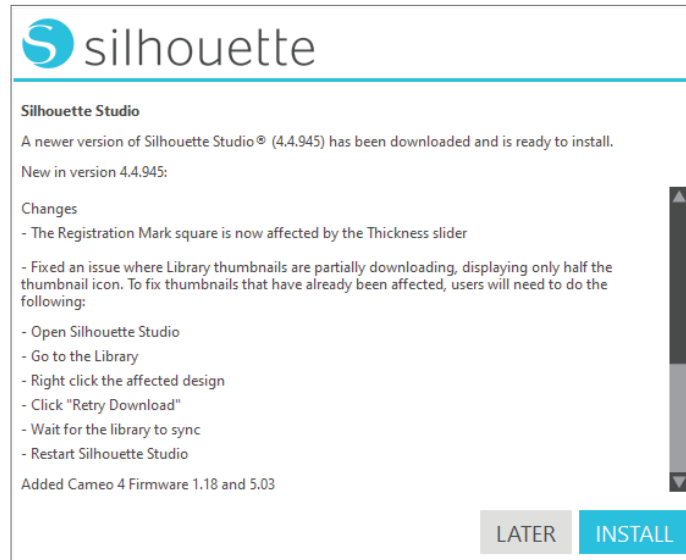
If the material becomes stuck in the Auto Sheet Feeder A3 Plus during loading, release the cover tabs on either side of the media tray. This will open the cover and allow material to be pulled through the machine and removed. The cover will only lift slightly; do not try to open it further as this may damage the machine.



## Download and Install Silhouette Studio®

If you already own a Silhouette cutting machine, which is required to operate the Silhouette Auto Sheet Feeder A3 Plus, you do not need to reinstall Silhouette Studio®. Instead, confirm that Silhouette Studio® is updated to the latest version. The Auto Sheet Feeder A3 Plus is only compatible with versions 4.5 and higher.

When an update for Silhouette Studio® is available, you will receive a pop-up before the software launches informing you of the available update. It will ask whether you want to update the software now or later. Select "Install" to begin the update installation.



If you choose to update the software later, you may receive the pop-up the next time you launch the software. Or, you may visit [silhouetteamerica.com/software](https://silhouetteamerica.com/software) to download the update from our website.

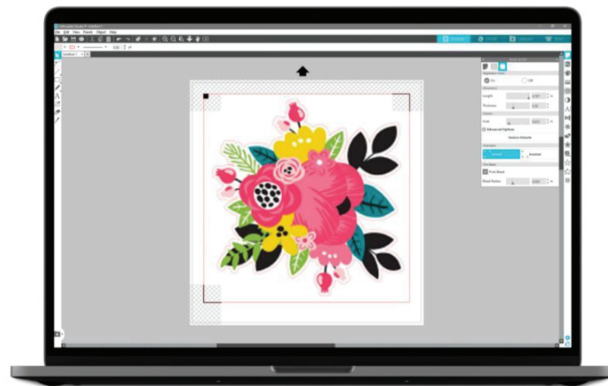
To download and install Silhouette Studio® for the first time, go to [silhouetteamerica.com/software](https://silhouetteamerica.com/software) to download the latest version of the software. Click on your operating system (Mac or Windows) and follow the prompts on your computer to finish the installation.



Silhouette Studio® allows you to access or create designs and send them to a Silhouette cutting machine.

LEARN MORE   **DOWNLOAD**   UPGRADE / BUY

Mac 64-bit  
Windows 64-bit



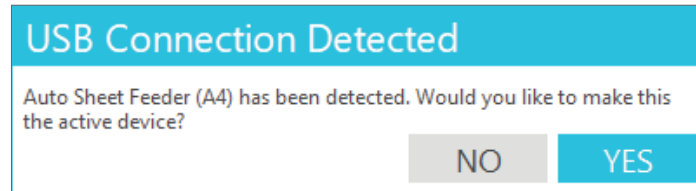
### Other Software

<p>ADOBE ILLUSTRATOR &amp; COREL DRAW</p> <p><b>silhouetteCONNECT™</b></p> <p>Plug-in for Adobe Illustrator® &amp; Corel DRAW®.</p> <p>MORE INFO →</p>	<p>ALTA</p> <p><b>silhouette3D</b></p> <p>Companion software for the Silhouette Alta 3D printer.</p> <p>MORE INFO →</p>	<p>MOBILE</p> <p><b>silhouette go</b></p> <p>Mobile app for Silhouette cutting machines.</p> <p>MORE INFO →</p> <p>Download on the App Store   GET IT ON Google Play</p>	<p>MINT</p> <p><b>mintstudio™</b></p> <p>Companion software for the Silhouette Mint stamp maker.</p> <p>MORE INFO →</p>
--	---	--	---

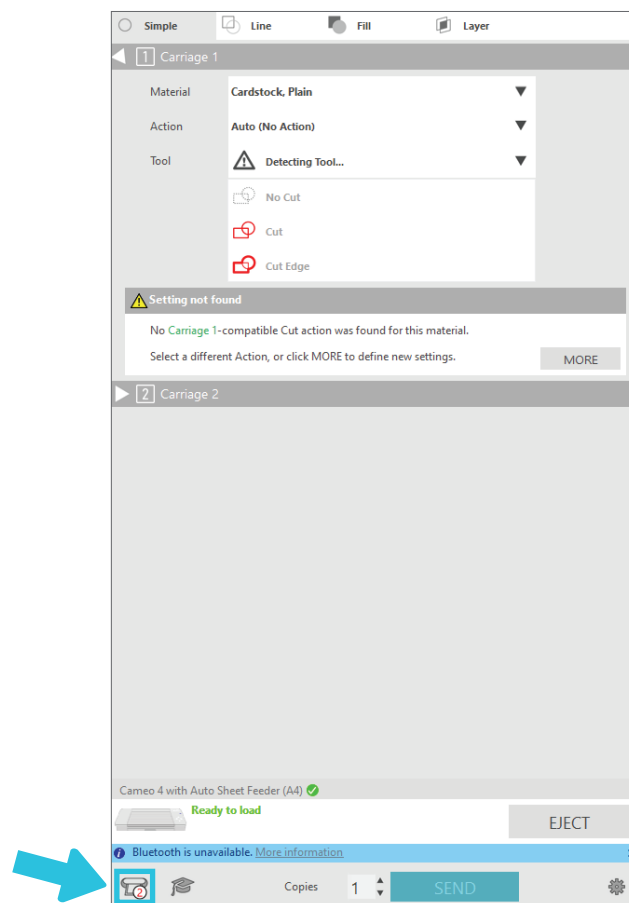
## Navigate Silhouette Studio®

The Auto Sheet Feeder A3 Plus has a few specific features included in Silhouette Studio®. Review your cutting machine's manual or visit [silhouetteamerica.com/software](https://silhouetteamerica.com/software) for more information about how to navigate Silhouette Studio®.

When you open Silhouette Studio® with the Auto Sheet Feeder A3 Plus connected or turn on the machine with the software open, you will receive a pop-up asking if you want to set the Auto Sheet Feeder A3 Plus as your active machine. Select "Yes" in order to access the needed features for use with the Auto Sheet Feeder A3 Plus.



If you have multiple cutting machines connected to Silhouette Studio®, such as a Cameo® 4 Pro connected to the Auto Sheet Feeder A3 Plus as well as a Portrait® 3, you will need to manually confirm the Auto Sheet Feeder A3 Plus in the Send Panel. Click the machine icon in the bottom-left corner of the Send Panel and select the machine you are using.

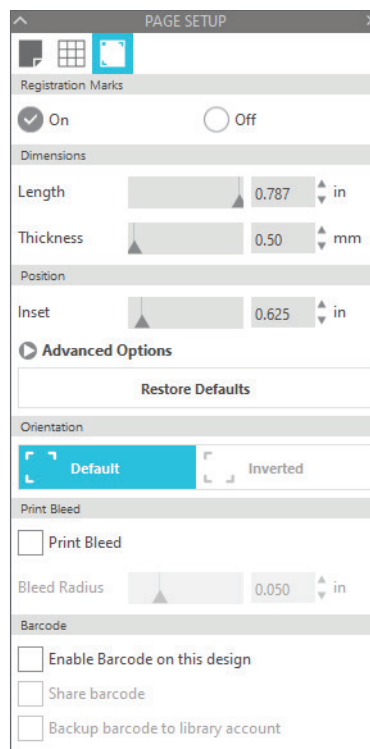


## Print & Cut

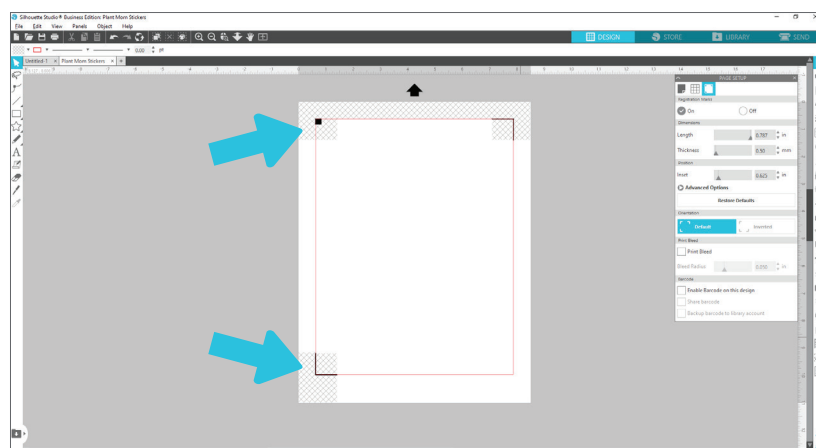
Print & Cut projects involve printing a project from Silhouette Studio® onto your sheet material and then loading the printed page into your Silhouette machine for cutting. This is done using registration marks, which are printed on the corners of your page. Print & Cut can be used without an Auto Sheet Feeder A3 Plus, but cutting multiple Print & Cut pages is one of the most common machine uses.

Your Silhouette machine's optic sensor will find the registration marks on your printed page as the Auto Sheet Feeder A3 Plus loads it into the machine so it knows where to cut. To set up your document for Print & Cut, open the Page Setup panel. This panel is automatically opened when you create a new document, but you can enable registration marks at any point in the design process.

Adjust your Media Size to your selected material. In most cases for Print & Cut projects, this will be 8.5 in. x 11 in. The Cutting Mat setting will automatically be set to None. Orientation must be set to Portrait, the default setting. Next, open the Registration Marks tab. This is the third icon at the top of the Page Setup panel. Once open, toggle registration marks on at the top of the panel.



You will see three marks appear on your page in the top-left, top-right, and bottom-left corners. These are the registration marks. There will also be cross hatching at the top and in the bottom-left corner of the page, along with a red rectangle that connects the registration marks. Your design must stay inside of this border and not overlap any of the registration marks. Otherwise, your Silhouette machine may not be able to register the document for cutting.



Additional Print & Cut settings may be enabled or altered in the Registration Marks tab. These can be adjusted before printing your document. Do not change these settings or your design after printing. Otherwise, the cut position may shift or the Silhouette machine may be unable to scan the registration marks.

## Dimensions

The length and thickness of your registration marks can be adjusted. Length increases and decreases the size of the registration marks in the top-right and bottom-left corners. Thickness adjusts the width of the marks. These settings are worth adjusting if your cutting machine struggles to read the registration marks, but we recommend using the default settings for best results.

## Position

Instead of altering the registration marks themselves, the Position setting changes the location where your registration marks will print on the page. We recommend keeping the position at the default setting as well. The Position section includes an option to restore your default registration marks settings.

## Print Bleed

A bleed is a small border that is printed around the cut lines that matches your design. This bleed accounts for any marginal differences between your printed design and where your Silhouette machine will cut. It is most commonly used for designs with a printed color that extends to the cut line so there won't be any thin border of the unprinted material around your cut design.

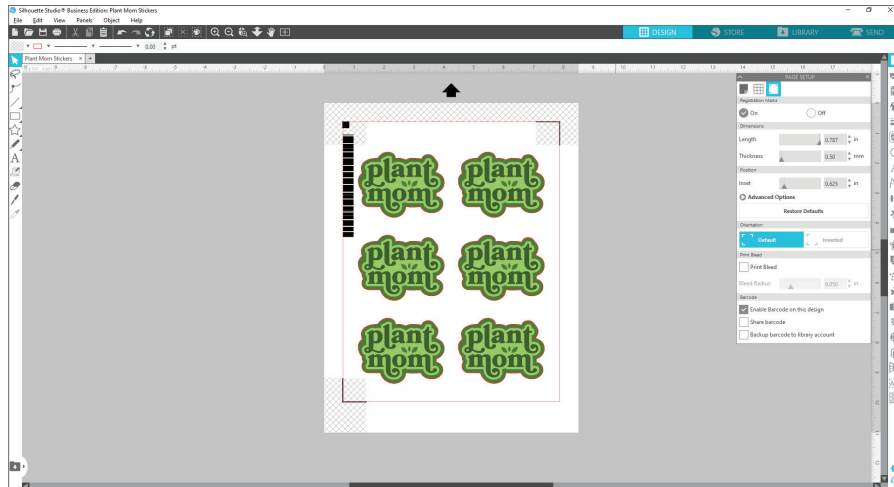


## Barcodes

The last section of the Registration Marks tab is the Barcode section. Barcode scanning was originally a feature exclusive to Silhouette Studio® Business Edition. However, all Silhouette Studio® users can access this feature when they connect the Auto Sheet Feeder A3 Plus to the software regardless of which edition is being used.

By printing barcodes onto your Print & Cut projects, you can load different cut jobs into the Auto Sheet Feeder A3 Plus at once. The cutting machine scans each page as it is loaded into the machine. If a barcode is present, the Silhouette machine can cut files saved to your Library without needing to open them.

When your Silhouette machine scans your material's registration marks, it will also look for a barcode printed beneath the square in the top-left corner.

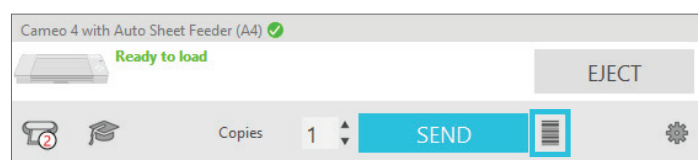


This barcode includes all of the information your Silhouette machine needs to cut your design, such as the location of cut lines, the material type, and the blade depth & force settings. Once your design is finished and you've selected your material and cut settings in the Send Panel, enable the barcode and print the document.

You may also choose to share the barcode. Selecting this option uploads the barcode to Silhouette's cloud data so anyone can scan the barcode and cut the design regardless of whether the file is saved to the user's computer.

For successful barcode use, there are a few things to keep in mind.

- ▶ Unless barcode sharing has been enabled, the Silhouette machine is only able to register barcodes for files created on the computer being used.
- ▶ For best results, enable the barcode once you've finalized your design and your material & cut settings. The barcode cannot be modified once the Print Preview window has been opened.
- ▶ Changes to the material and cut settings will require generating a new barcode.
- ▶ While you may cut different designs in one cut job by using barcodes, you can only cut one material type at a time.
- ▶ In the Send Panel, you will need to press the barcode icon to the right of the "Send" button instead of selecting "Send." This will prompt your Silhouette machine to scan for a barcode when each sheet is loaded into the machine.

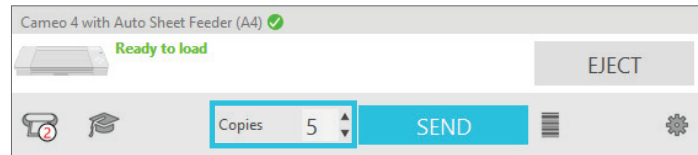




## Send Panel

The Send Panel is where you finalize your material and blade settings and send the cut job to your Silhouette machine. The panel includes all of the information you would normally see when sending a file for cutting without the Auto Sheet Feeder A3 Plus. Before hitting “Send,” finalize all of this information so that it matches your material and desired cut settings.

When the Auto Sheet Feeder A3 Plus is set as the active machine, you will see one small change in the Send Panel. Next to the “Send” button at the bottom of the panel, you will see a number to the left. This is where you will set the number of copies to be cut. For example, if you have five sheets loaded in the Auto Sheet Feeder A3 Plus, set this number to 5.



With the number of copies set, you are ready to press “Send.” If you are using barcodes, you will need to press the barcode icon to the right of the “Send” button instead.

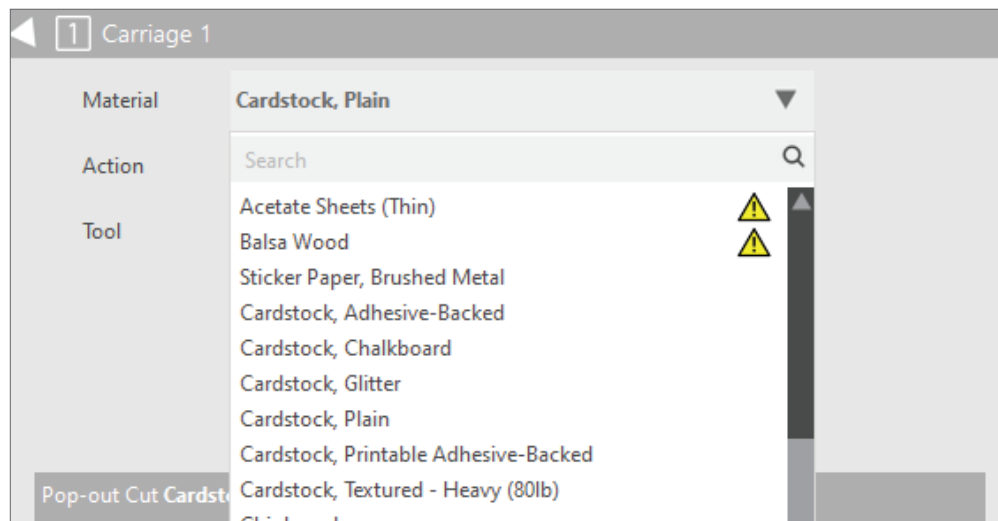
For more detailed instruction on how to use the Send Panel, please review your cutting machine manual. Or, click the graduation cap icon in the bottom-left corner of the Send Panel for a short slideshow of steps to follow.

## Cut Designs

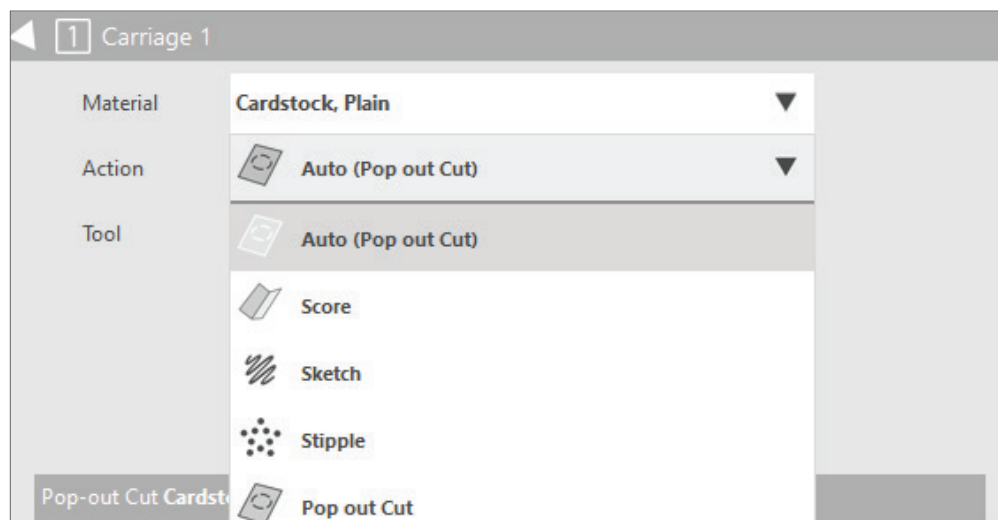
The Auto Sheet Feeder A3 Plus utilizes your Silhouette machine's matless cutting ability to load material directly into the machine. Instead of placing each sheet onto a cutting mat and loading them into the machine individually, the Auto Sheet Feeder A3 Plus automates the process for you.

Before cutting, confirm that you have enough space around your cutting machine, especially behind it. Your Silhouette machine will roll material forward and backward as it cuts. Finished sheets will be ejected below the Auto Sheet Feeder A3 Plus.

To send your first cut job, open the Send Panel at the top-right corner of the screen. Then, select your material type from the Material drop-down menu. It's important to select the correct material because Silhouette Studio® has fine-tuned the cut settings for each one. Materials that are incompatible with the Auto Sheet Feeder A3 Plus are marked with a yellow warning icon on the right side of the menu.



Next, confirm that the correct action and tool are selected. The material selection should automatically select the right action, but make sure that the action and tool match what you are cutting. For example, cardstock will be cut using a pop-out cut.



If your Auto Sheet Feeder A3 Plus is set up properly, the Send Panel should show your machine name as "Cameo 4 Plus with Auto Sheet Feeder (A3)" or "Cameo 4 Pro with Auto Sheet Feeder (A3)". The status will read "Ready to load." With all of these settings correct and the number of copies set, you are ready to send the cut job to the machine.

To learn more about how to send cut jobs to your Silhouette machine, refer to your cutting machine manual.

## About Matless Cutting

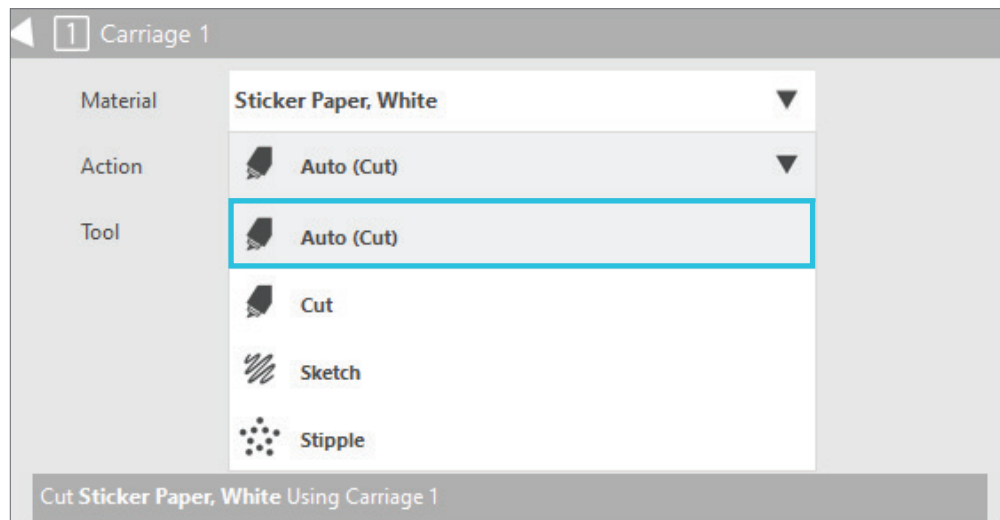
There are two types of matless cutting: kiss-cut and pop-out cut. A kiss-cut is used when you are cutting materials that have a backing, while pop-out cuts slice all the way through a range of materials. When using the Auto Sheet Feeder A3 Plus, you must use one of these two matless cutting options.

### Kiss-cut

Kiss-cuts will cut your design out of the top layer of material while leaving the backing in tact. It is best suited for:

- ▶ Sticker paper
- ▶ Printable vinyl and heat transfer
- ▶ Other lined sheet materials

Go to the Send Panel and make sure you have the correct material listed. This should automatically set the action to Cut, and the default cut settings will only cut through the top material layer.



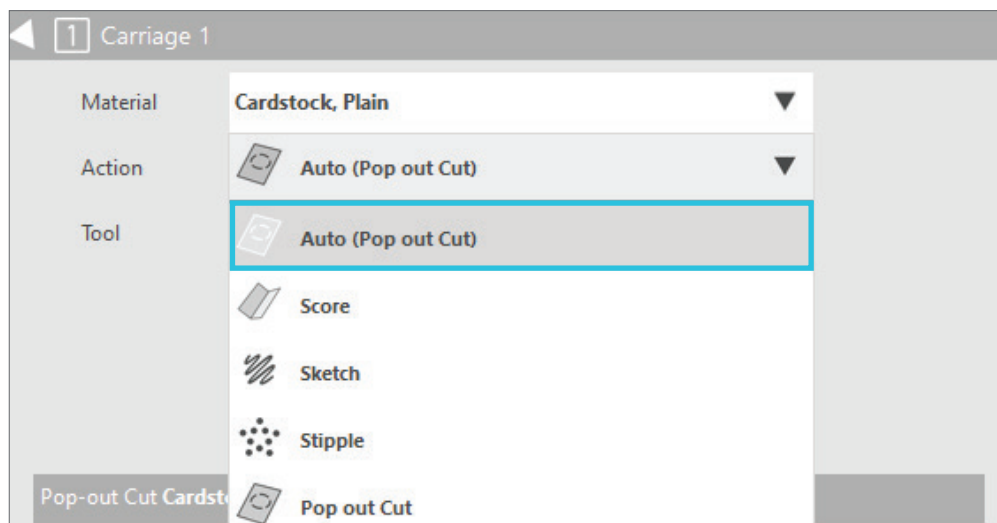
## Pop-out Cut

Pop-out cuts will cut all the way through material but leave the shape in place using strategic perforation cuts. Because of a channel that runs under the blade area, your Silhouette machine can cut all the way through the material without a cutting mat. It does so by lifting the blade in small segments as it cuts, leaving small parts of the material connected to the page.

Once the material is ejected beneath the Auto Sheet Feeder A3 Plus, simply pop the cut design from the paper. Pop-out cut is best suited for more rigid materials but can be performed on a variety of different media types:

- ▶ Cardstock
- ▶ Scrapbook paper
- ▶ Photo paper
- ▶ Other sheet materials

To perform a pop-out cut, select your compatible material type in the Send Panel. This should automatically set the action to Pop-out Cut.



The pop-out cut mode is not intended for use with thin or flexible materials, such as copy paper or fabric. The Auto Sheet Feeder A3 Plus is not a good option for cutting thin media types, and a cutting mat should be used instead.

## Troubleshooting

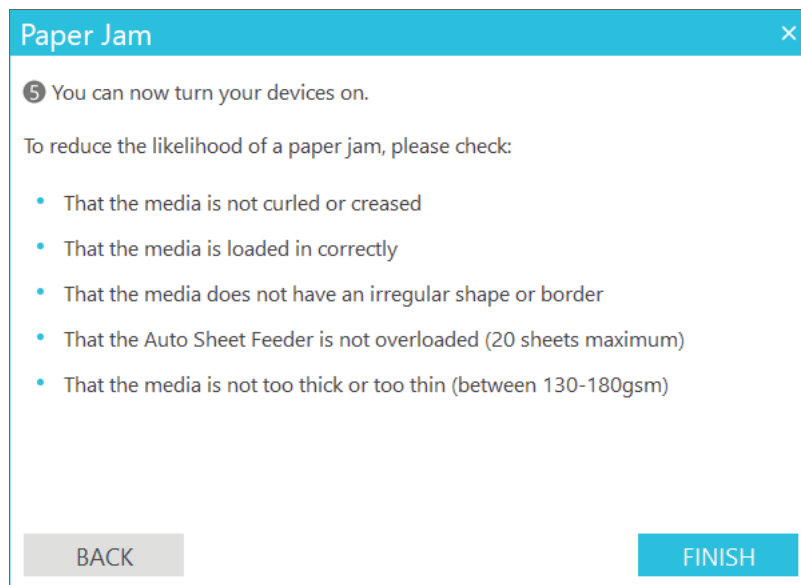
### Material Is Jammed in the Auto Sheet Feeder A3 Plus

First, turn off the Auto Sheet Feeder A3 Plus. Then, pull the two tabs at the base of the cover towards you to release the lid. This will allow you to pull the media out of the Auto Sheet Feeder A3 Plus.



Remove the material from the Auto Sheet Feeder A3 Plus and close the cover before attempting to send the cut job again. *Do not attempt to force the lid to open further than it does when you pull the tabs. Doing so will damage your machine.*

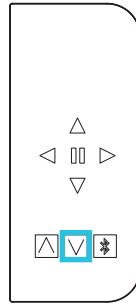
You will receive the following pop-up in Silhouette Studio® following a paper jam. To reduce the likelihood of a paper jam, review the following suggestions and try again.



## Material Is Not Ejected from the Cutting Machine

If material remains in the cutting machine instead of being ejected below the Auto Sheet Feeder A3 Plus, this is likely an error with the cutting machine.

Turn off the Auto Sheet Feeder A3 Plus. Then, press the Unload Material button on the cutting machine.



For more information on how to load and unload material, please refer to your cutting machine manual.

## Material Is Not Loading Smoothly

Over time, dust and debris may accumulate inside of the Auto Sheet Feeder A3 Plus. This may impact the machine's ability to load media properly into the cutting machine. To clean the inside of the Auto Sheet Feeder A3 Plus, use a standard printer cleaning sheet to remove any dust.

Turn off the Auto Sheet Feeder A3 Plus and pull the two cover tabs towards you to open the lid. Insert the cleaning sheet and close the cover.






Then, remove the cleaning sheet. Dust and other debris will cling to the material's adhesive. Repeat this process 2-3 times or until no dust appears on the cleaning sheet.




If the problem persists, contact Customer Support at [support@silhouetteamerica.com](mailto:support@silhouetteamerica.com).

## Safety Precautions

In order to use the Auto Sheet Feeder A3 Plus safely and correctly, as well as to prevent human injury and property damage, careful attention must be given to each of the safety precautions in this document. Failure to comply with these precautions may void any personal or property damage liability.

-  This symbol indicates information that requires careful attention (which includes warnings).
-  This symbol indicates an action that is strictly prohibited.
-  This symbol, whether next to an image or included in text, indicates an action that must be performed.

### Warnings

-  Do not touch moving parts while the machine is operating.
-  Keep hands and other objects away from moving parts when the machine is plugged in. The Auto Sheet Feeder A3 Plus may pause during the loading process and may begin moving as data is sent to the machine.
-  Do not disassemble, repair, or remodel the Auto Sheet Feeder A3 Plus. Tampering with the hardware can cause electrical shock or a fire hazard. If your machine needs repair, please contact Customer Support.
-  Do not connect the Auto Sheet Feeder A3 Plus to a nonrated power supply. Use of a different supply voltage may result in electrical shock or a fire hazard due to current leakage.
-   Do not use the Auto Sheet Feeder A3 Plus in a location where it may be exposed to water, humidity, or dust. If the Auto Sheet Feeder A3 Plus begins to smoke, gets too hot, emits a strange odor, or otherwise functions abnormally, do not continue using it. Unplug the AC adapter from the electrical socket. Use of the Auto Sheet Feeder A3 Plus when overheated may result in electrical shock or a fire hazard.
-   Do not allow dust or metals near the power plug. A dirty power plug may result in electrical shock or a fire hazard due to current leakage.
-   Do not use the AC adapter or power cord if it is damaged. Use of a damaged power cord or AC adapter may result in electrical shock or fire. Replace damaged power cords and AC adapters.
-   Only use the AC adapter included in the Auto Sheet Feeder A3 Plus box. Use of other AC adapters may cause malfunctions or result in electrical shock or a fire hazard. Be sure to connect the AC adapter to the Auto Sheet Feeder A3 Plus before plugging it into the wall.
-  Do not use the Auto Sheet Feeder A3 Plus in a location subject to excessive vibration or electrical noise.
-  Do not use or store the Auto Sheet Feeder A3 Plus in a location exposed to direct sunlight or a direct draft of an air conditioner or heater. Excessive heat, dust, and/or humidity can cause the machine to malfunction.
-  Only connect and remove the power cable when holding the connector. Do not pull on the power cable to unplug the Auto Sheet Feeder A3 Plus as this may damage it and cause electrical shock or a fire hazard.
-  If a foreign object or substance enters the Auto Sheet Feeder A3 Plus during operation, cancel the current project by turning off the Silhouette machine, then disconnect the power cable from the outlet. Do not attempt to remove the foreign object or continue use; contact Customer Support for repairs.
-  Do not attempt to lubricate the Auto Sheet Feeder A3 Plus. The machine does not require lubricant or any liquid agent to operate normally.
-  Do not use any liquid cleaning agents or any liquids on the interior of the Auto Sheet Feeder A3 Plus. Liquids will ruin the machine's functionality.
-  Be sure to leave enough space around the Auto Sheet Feeder A3 Plus and the Silhouette machine during operation so the machine and media do not touch surrounding objects.
-  Keep the Auto Sheet Feeder A3 Plus at least 3 feet away from any light or heat sources.

## Where to Find More Information

### Complete Software Manual

View the complete, illustrated User's Manual within Silhouette Studio® by clicking Help > User's Manual.

### Website

Visit [silhouetteamerica.com](https://silhouetteamerica.com) to access software updates, troubleshooting guides, FAQs, and other tutorials.

### Blog

Visit the official Silhouette blog at [silhouette101.com](https://silhouette101.com) for information about your machine, tutorials and how-tos, eBooks, videos, and ideas of new projects you can create. Many blog posts contain step-by-step instructions for advanced uses of Silhouette products and software.

### Newsletter

Sign up for our newsletter at [silhouetteamerica.com](https://silhouetteamerica.com) to receive product updates and special offers via email.

### Customer Support

If you have any further questions, please contact Customer Support for assistance:

[support@silhouetteamerica.com](mailto:support@silhouetteamerica.com)

[silhouetteamerica.com/contact](https://silhouetteamerica.com/contact)