



SheepMe!



UPRIGHT PIANO

Assembly Instructions

for manual winding music box

*Music expresses that which cannot be said
and on which it is impossible to be silent.*

Victor Hugo

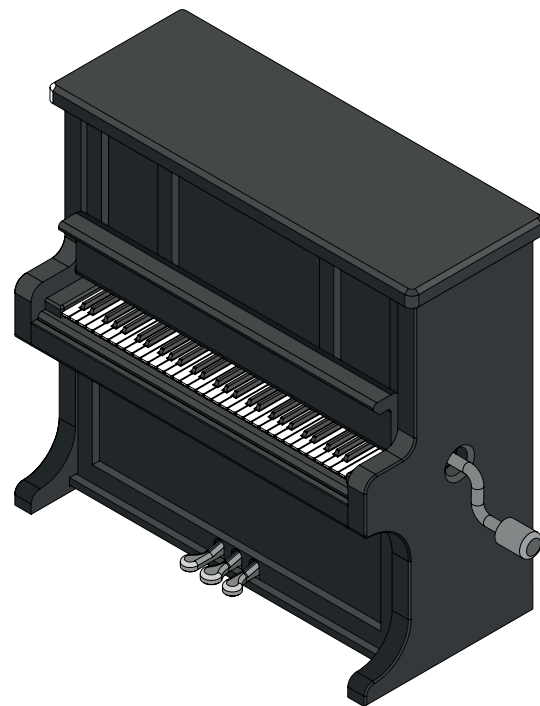


The world is fluffy enough already, isn't it?

ASSEMBLY INSTRUCTIONS

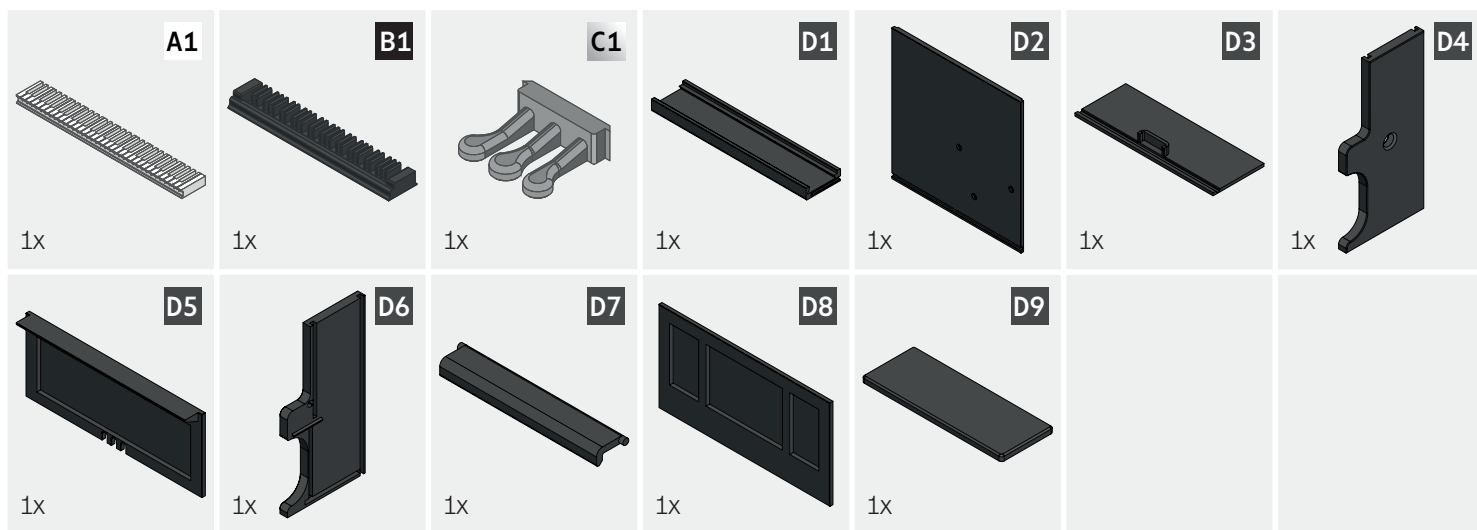
PART LIST

UPRIGHT PIANO

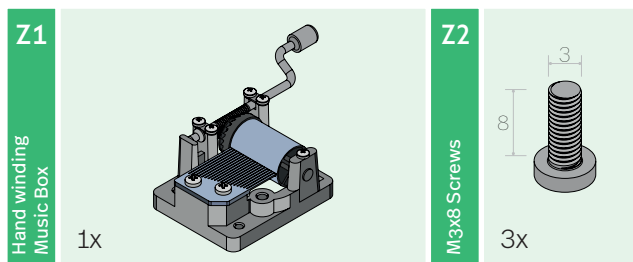


PRINTED PARTS

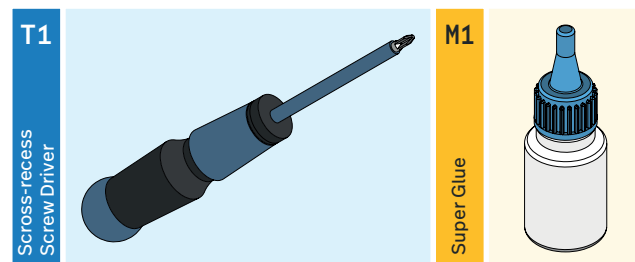
You will need the following parts for the model. The parts are divided into groups of letters (A,B,C,D) that represent the colors of the parts.



NOT PRINTED PARTS



TOOLS & AUXILIARY MATERIALS



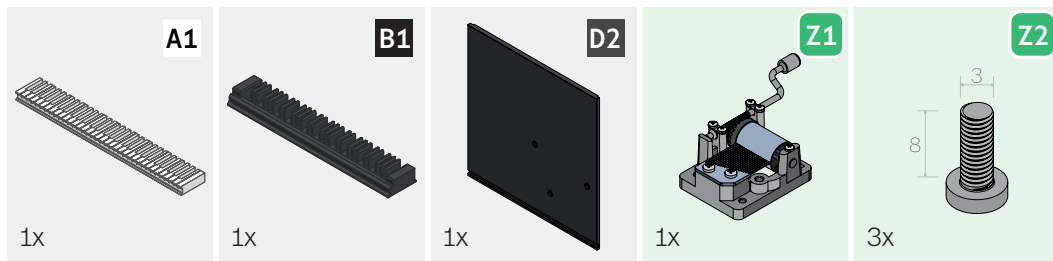
ASSEMBLY INSTRUCTIONS

ASSEMBLY

UPRIGHT PIANO



NEEDED PARTS

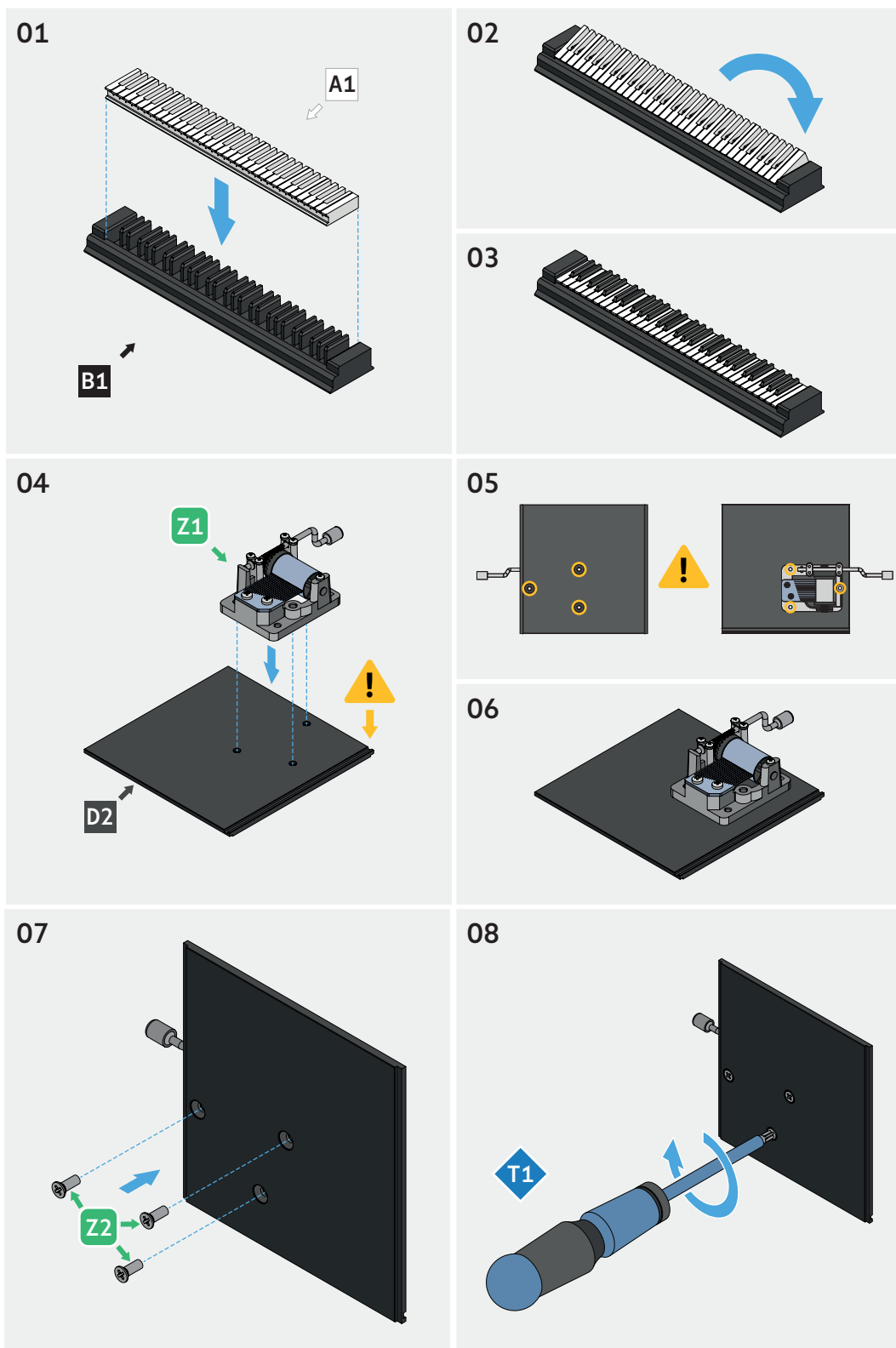


Insert the white keys **A1** into the black keys **B1**. Hold the white keys at an angle to make it easier to insert them into the black keys. Press at the rear end of the white keys to secure them in place.

03

Position the music box **Z1** on the back panel **D2**. Ensure that the mounting holes on the back panel align with those on the music box.

Using the screwdriver **T1**, attach the music box **Z1** to the back panel **D2** with the three screws **Z2**.



ASSEMBLY INSTRUCTIONS

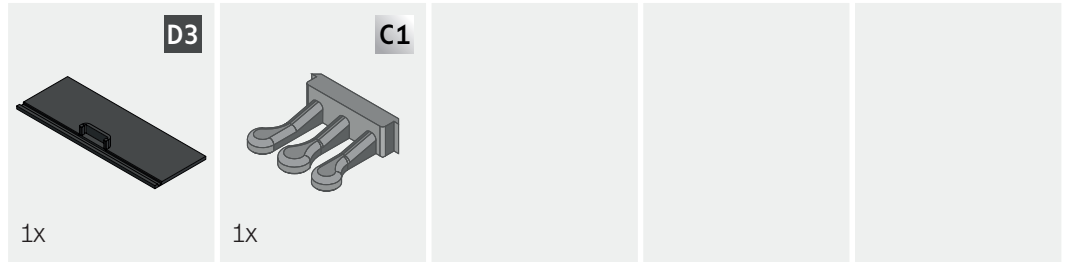
ASSEMBLY

UPRIGHT PIANO

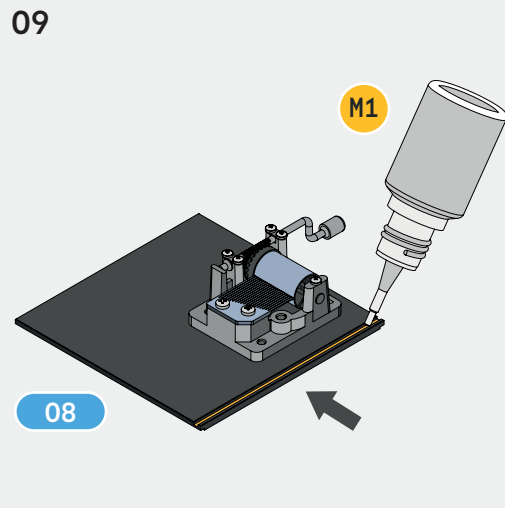


SheepMe!

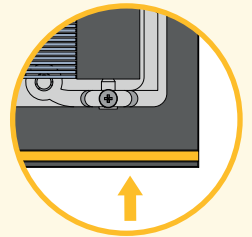
NEEDED PARTS



Apply a thin layer of superglue **M1** to the slot below the music box.

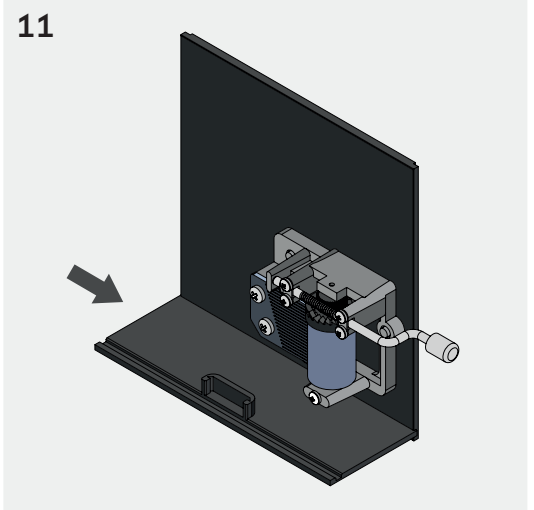
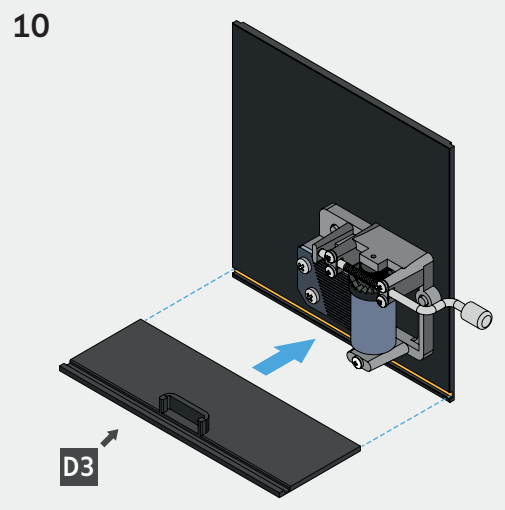


ATTENTION

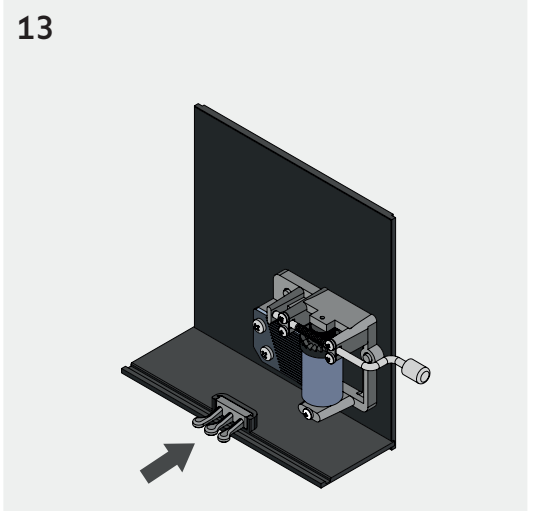
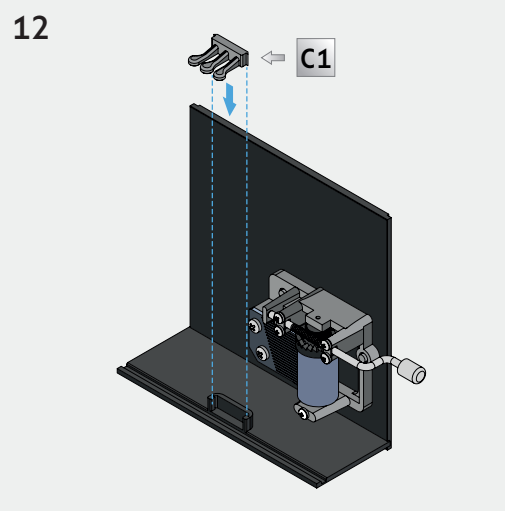


The areas where the glue should be applied are marked in yellow. Make sure that you only use a thin layer, otherwise the adhesive will run out of the joints and the adhesive residue will not look nice on the model.

Attach the base plate **D3** to the rear panel.



Place the pedals **C1** in their designated position on the base plate **D3**.



ASSEMBLY INSTRUCTIONS

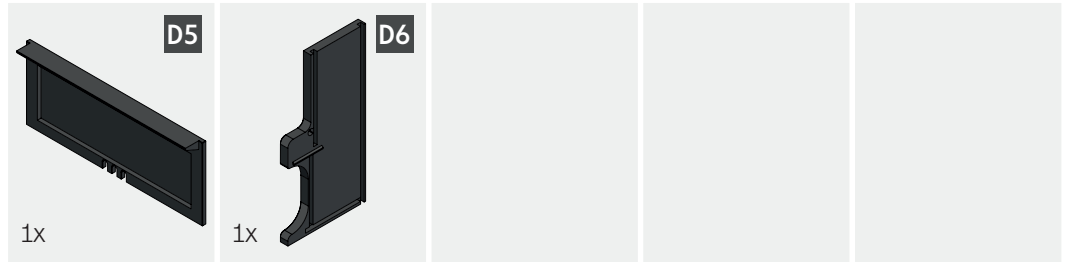
ASSEMBLY

UPRIGHT PIANO



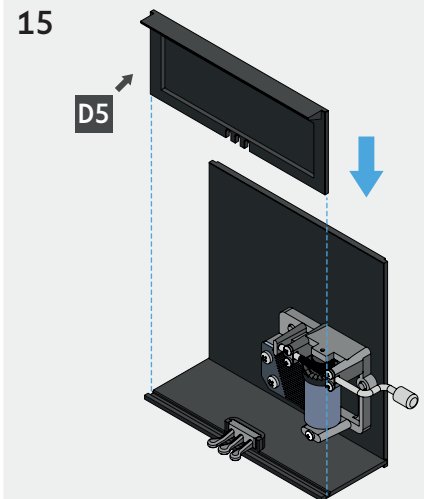
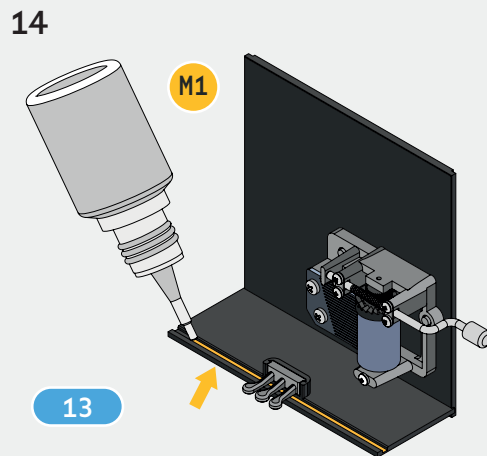
SheepMe!

NEEDED PARTS

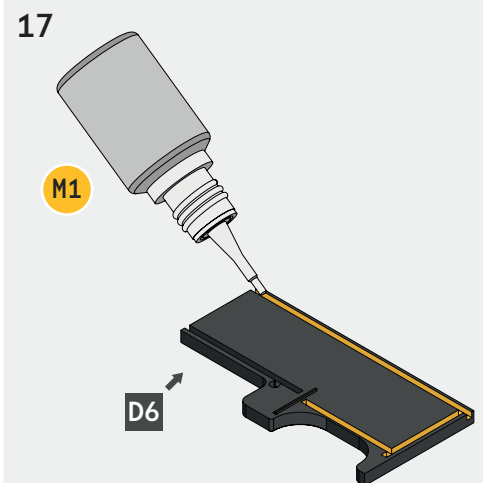
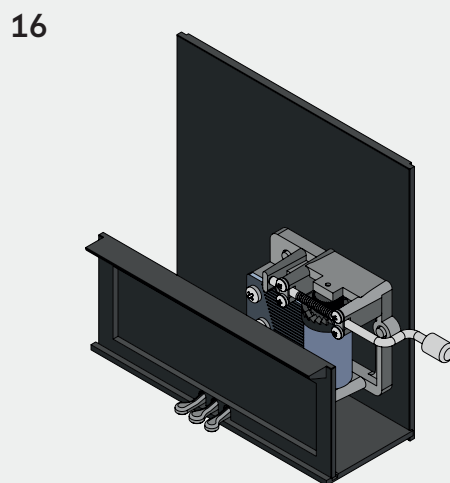


Apply a thin layer of superglue **M1** to the slot in the base plate.

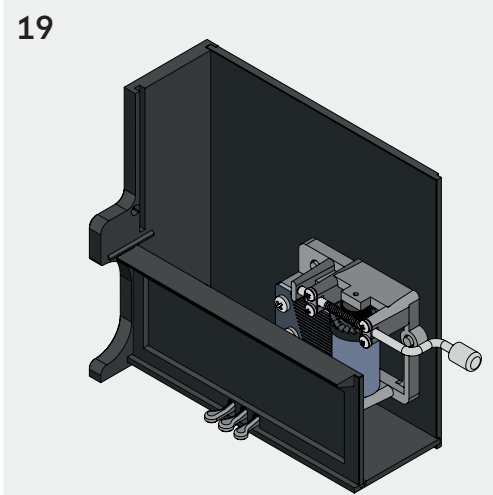
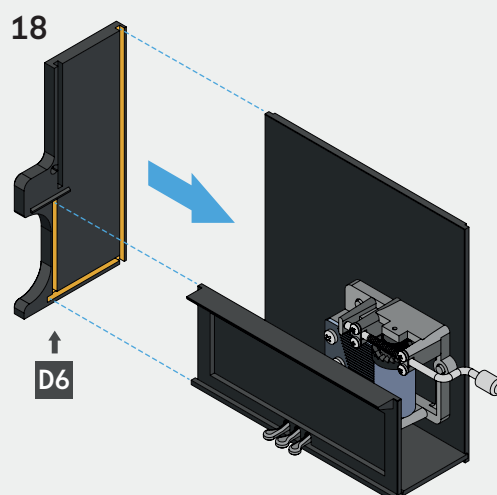
Attach the front bottom panel **D5** to the base plate.



Apply a thin layer of superglue **M1** to the left side panel **D6**.



Attach the left side panel **D6**.



ASSEMBLY INSTRUCTIONS

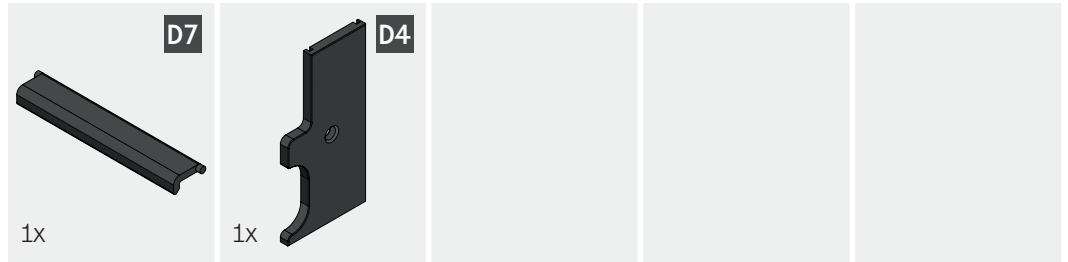
ASSEMBLY

UPRIGHT PIANO

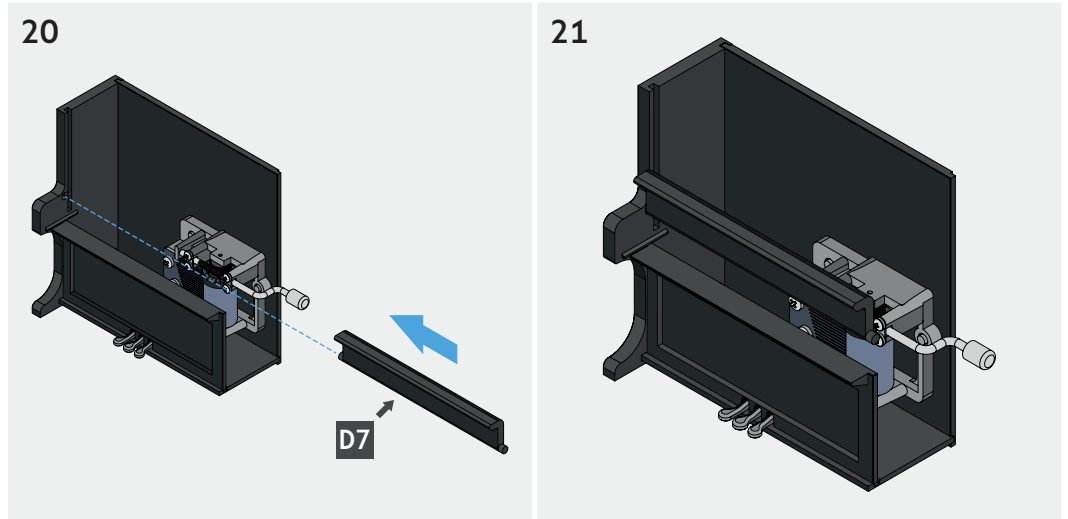


SheepMe!

NEEDED PARTS

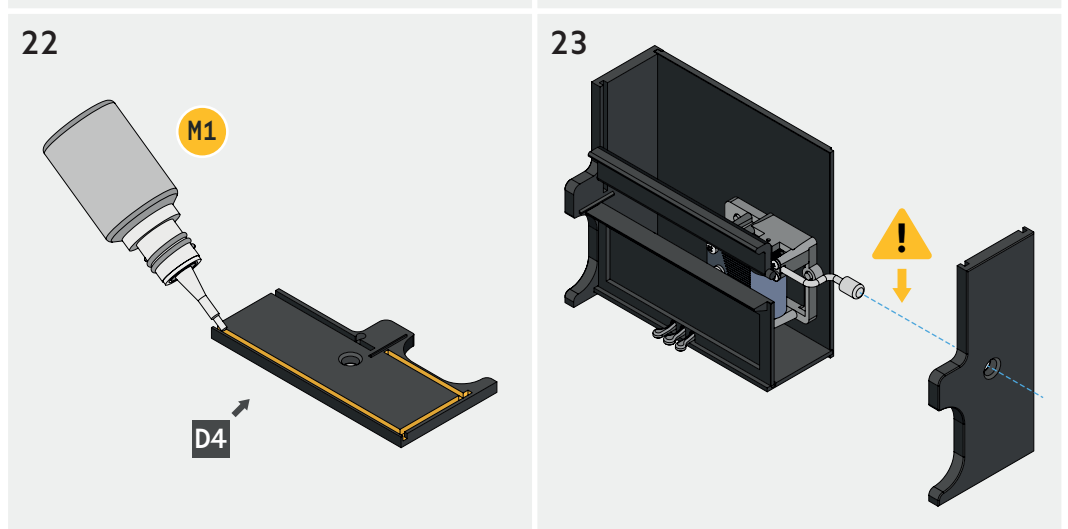


Slide the keyboard lid **D7** into the left side panel.

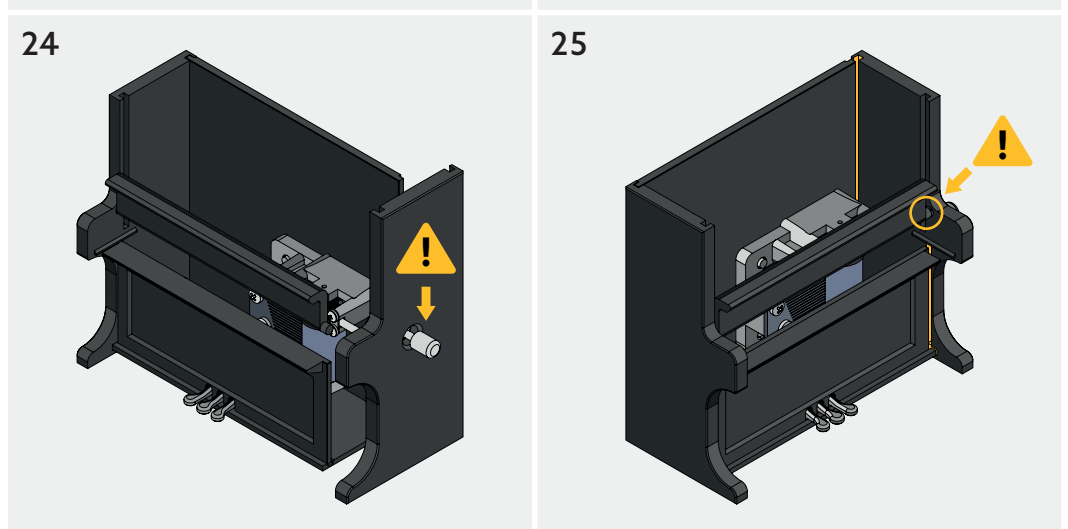


Apply a thin layer of superglue **M1** to the right side panel **D4** and attach it to the piano.

Pay attention to the handle of the music box and that it is correctly guided through the hole in the side panel.



Once the handle has been threaded in, make sure that the lid mechanism is inserted into the correct position of the side panel when attaching the side panel.



ASSEMBLY INSTRUCTIONS

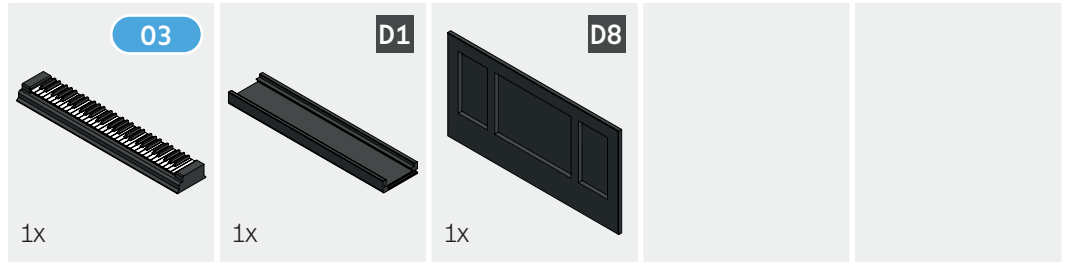
ASSEMBLY

UPRIGHT PIANO

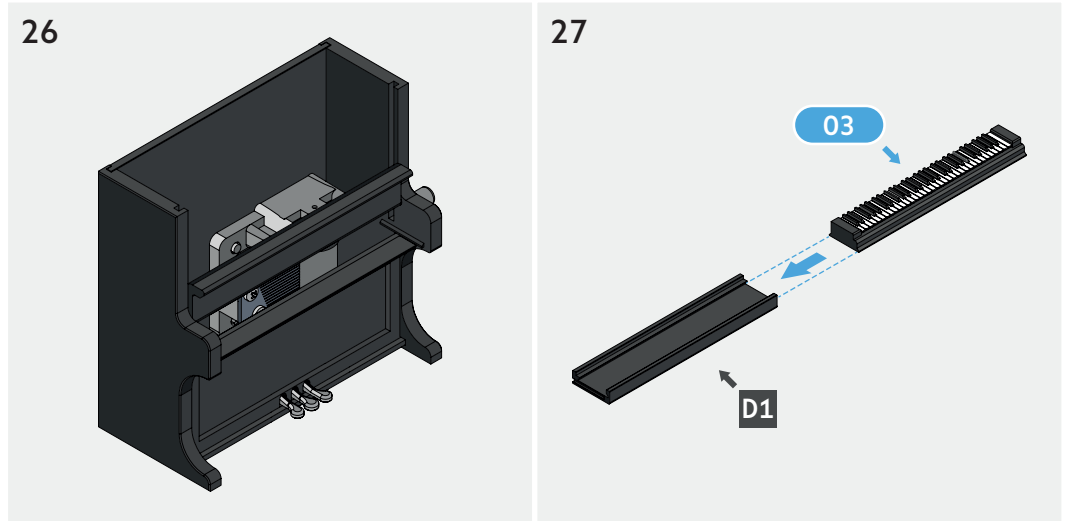


SheepMe!

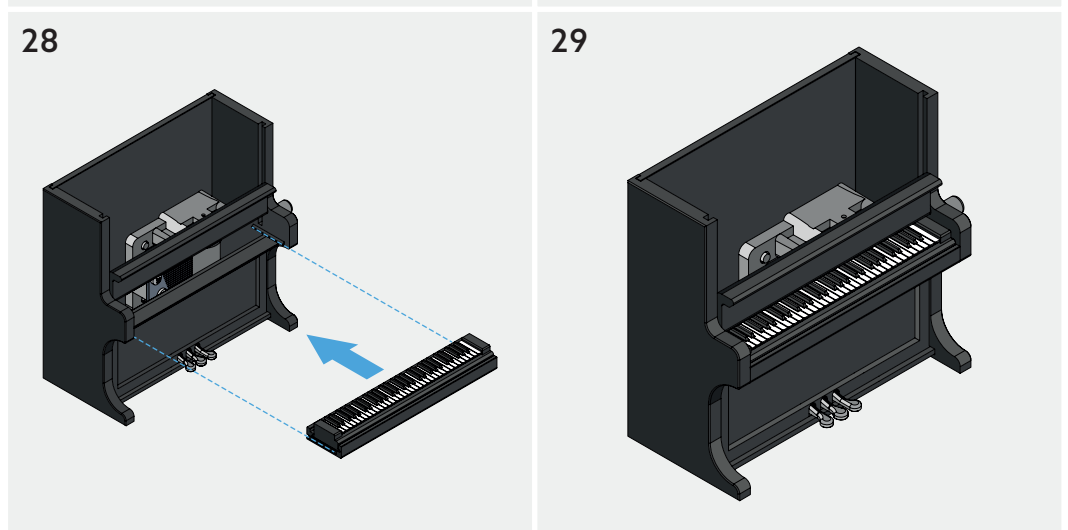
NEEDED PARTS



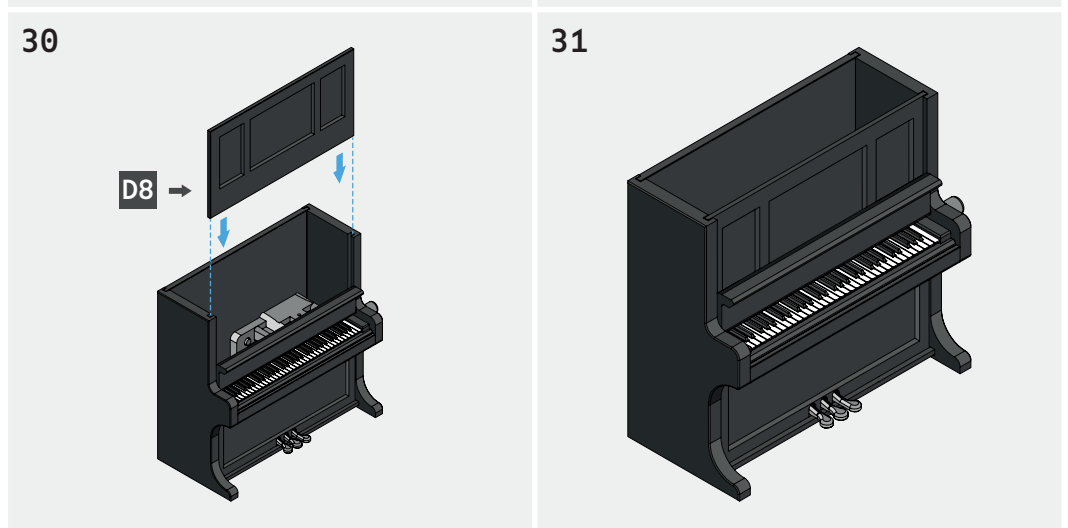
Slide the keyboard from step **03** into the keyboard bay **D1**.



Slide the keyboard bay into the piano.



Slide the upper front panel **D8** into the piano.



ASSEMBLY INSTRUCTIONS

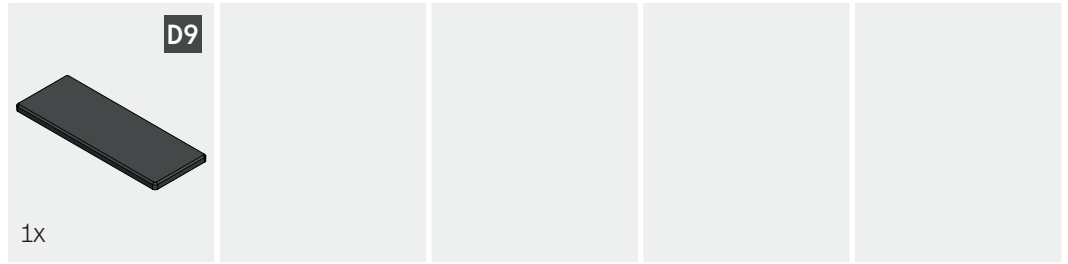
ASSEMBLY

UPRIGHT PIANO



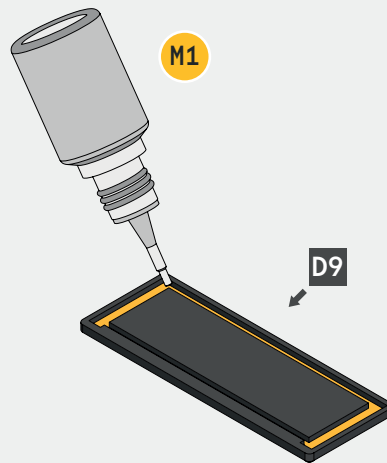
SheepMe!

NEEDED PARTS



Apply a thin layer of superglue **M1** to top lid **D9** and attach it to the piano.

32



33

