



SheepMe!



UPRIGHT PIANO

Assembly Instructions

for bottom winding music box

*Music expresses that which cannot be said
and on which it is impossible to be silent.*

Victor Hugo



The world is fluffy enough already, isn't it?

ASSEMBLY INSTRUCTIONS

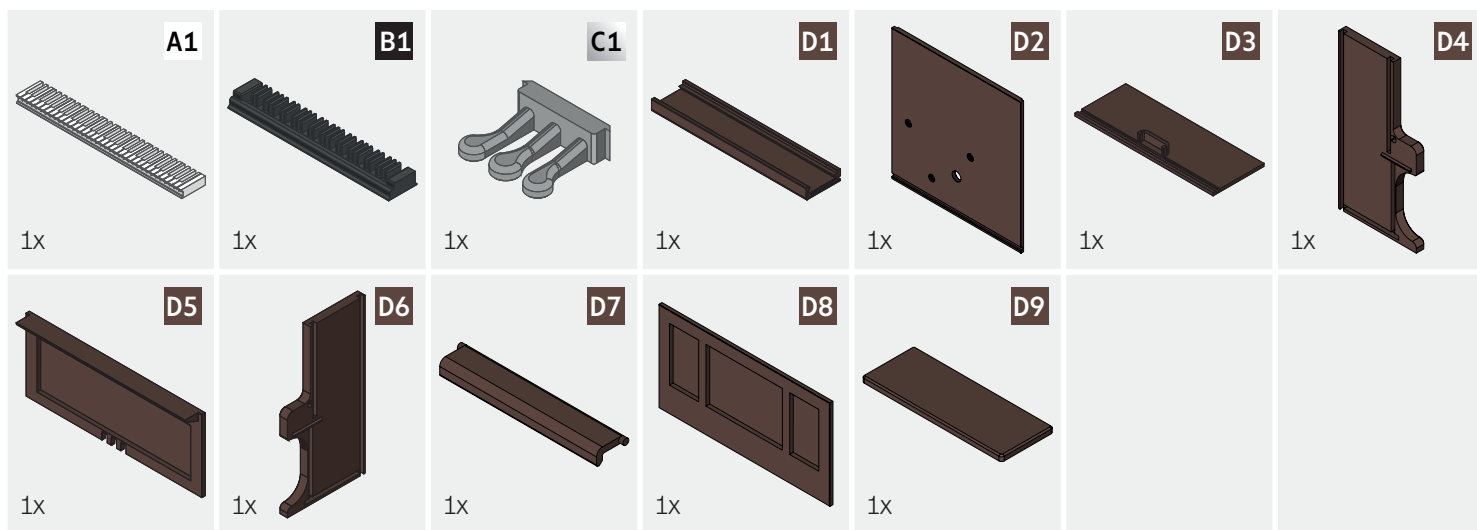
PART LIST

UPRIGHT PIANO

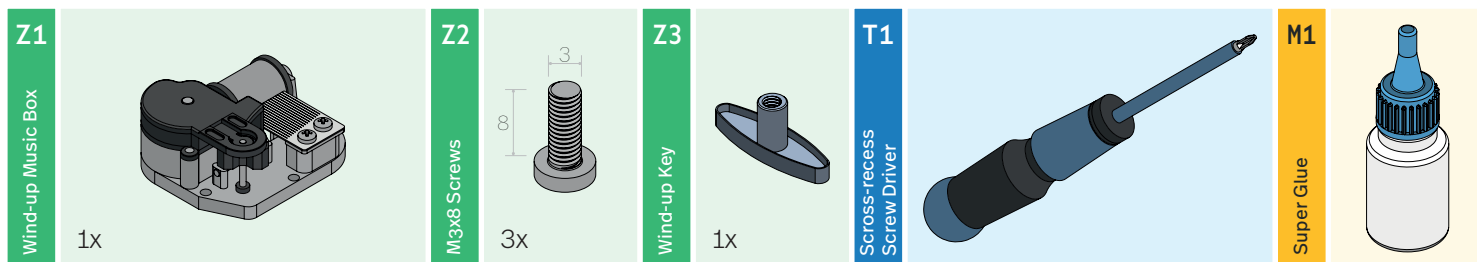


PRINTED PARTS

You will need the following parts for the model. The parts are divided into groups of letters (A,B,C,D) that represent the colors of the parts.



NOT PRINTED PARTS



ASSEMBLY INSTRUCTIONS

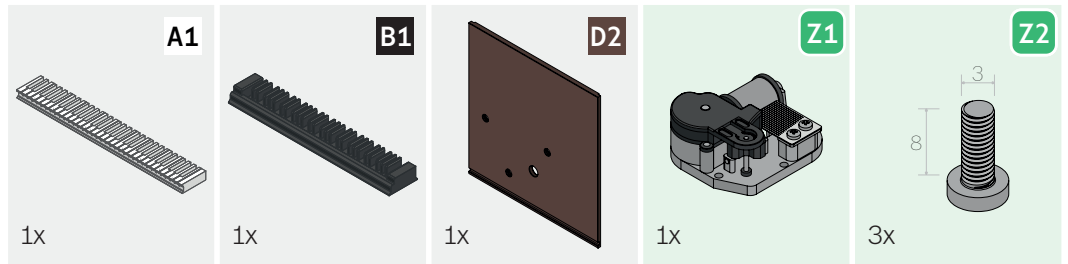
ASSEMBLY

UPRIGHT PIANO



SheepMe!

NEEDED PARTS

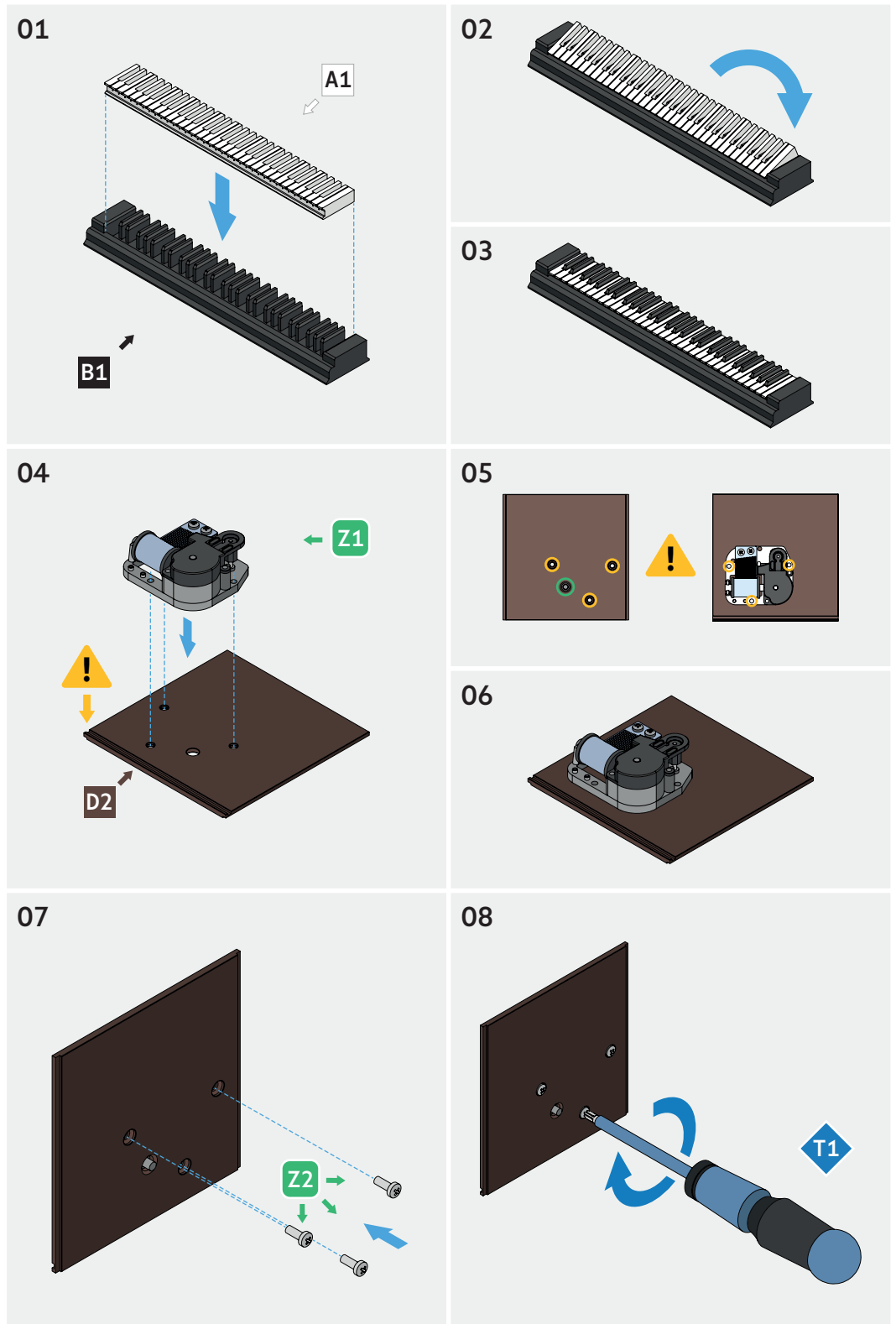


Insert the white keys **A1** into the black keys **B1**. Hold the white keys at an angle to make it easier to insert them into the black keys. Press at the rear end of the white keys to secure them in place.

03

Position the music box **Z1** on the back panel **D2**. Ensure that the mounting holes on the back panel align with those on the music box.

Using the screwdriver **T1**, attach the music box **Z1** to the back panel **D2** with the three screws **Z2**.



ASSEMBLY INSTRUCTIONS

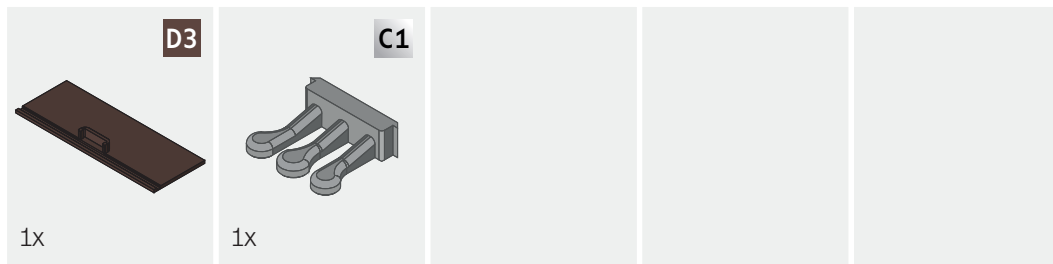
ASSEMBLY

UPRIGHT PIANO

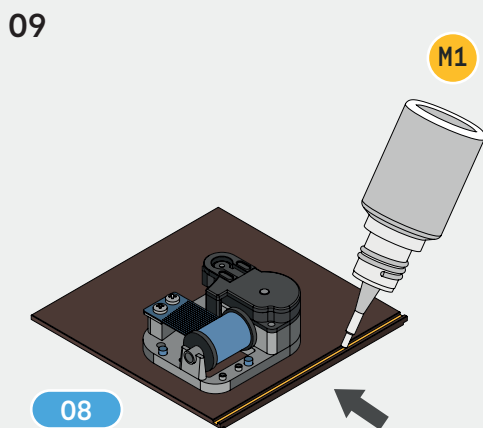


SheepMe!

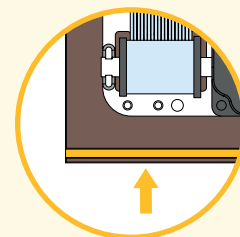
NEEDED PARTS



Apply a thin layer of superglue **M1** to the slot below the music box.

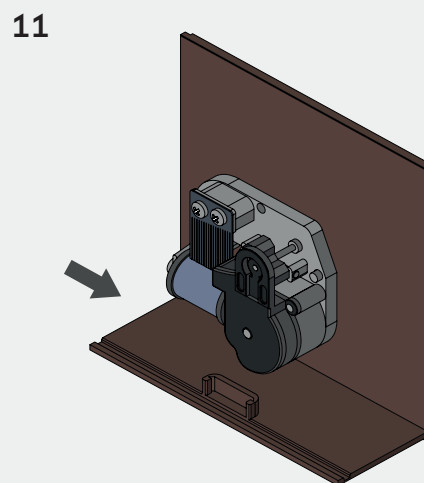
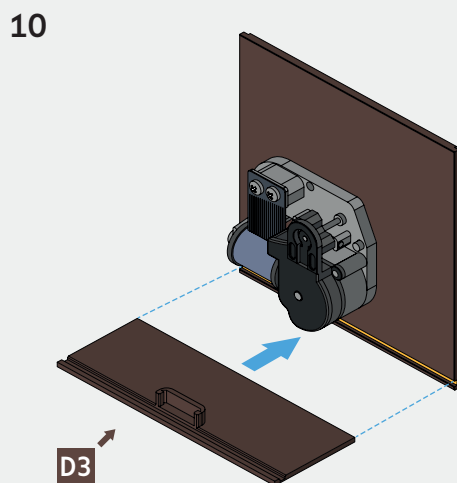


ATTENTION

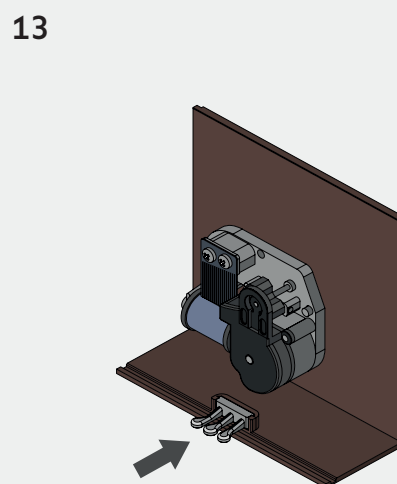
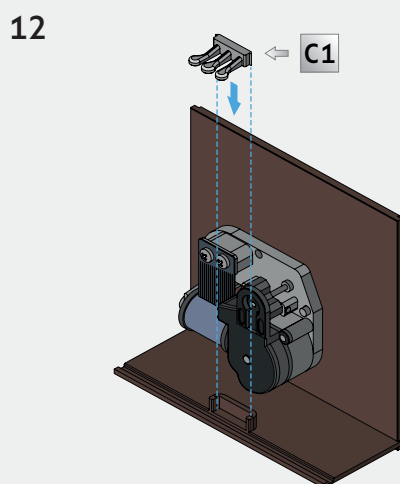


The areas where the glue should be applied are marked in yellow. Make sure that you only use a thin layer, otherwise the adhesive will run out of the joints and the adhesive residue will not look nice on the model.

Attach the base plate **D3** to the rear panel.



Place the pedals **C1** in their designated position on the base plate **D3**.



ASSEMBLY INSTRUCTIONS

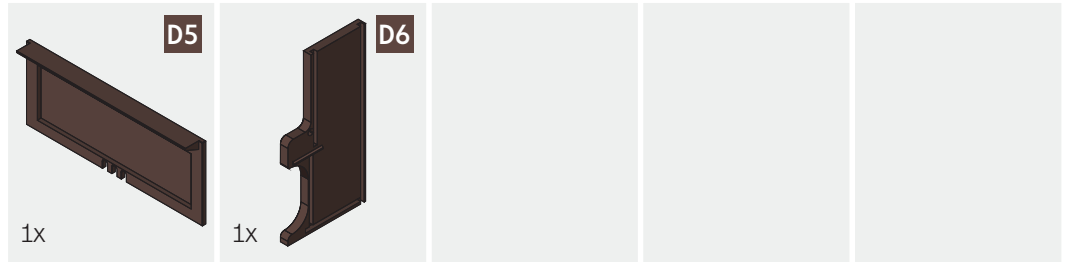
ASSEMBLY

UPRIGHT PIANO



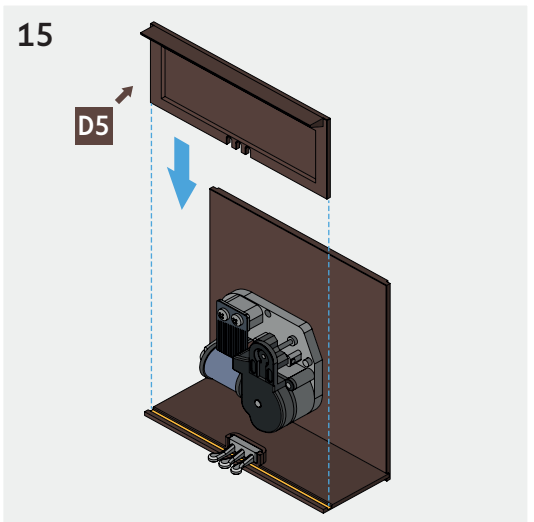
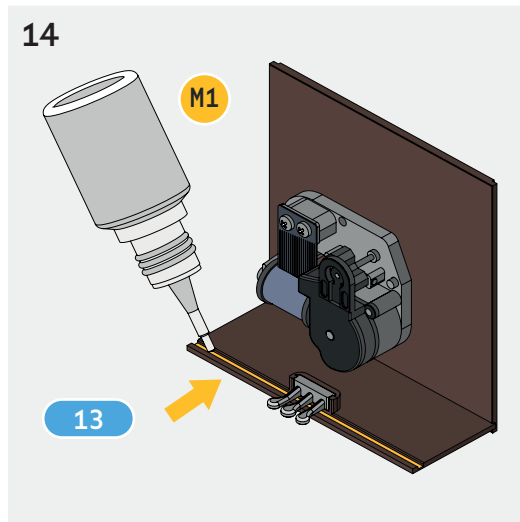
SheepMe!

NEEDED PARTS

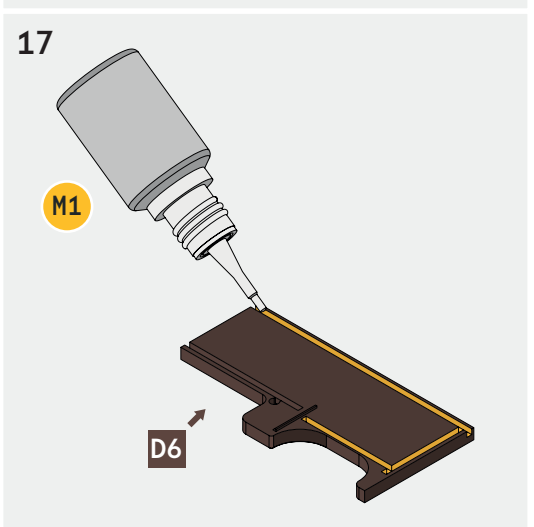
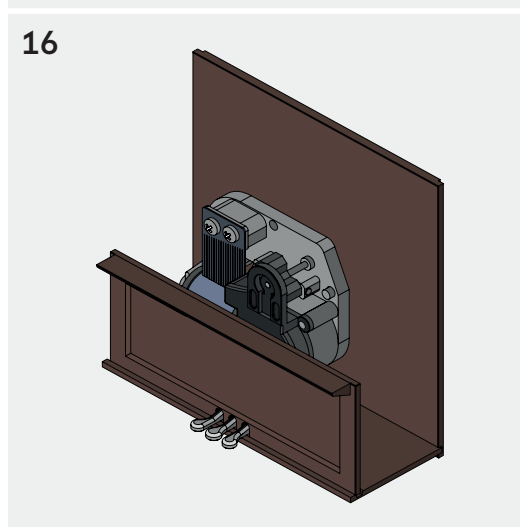


Apply a thin layer of superglue **M1** to the slot in the base plate.

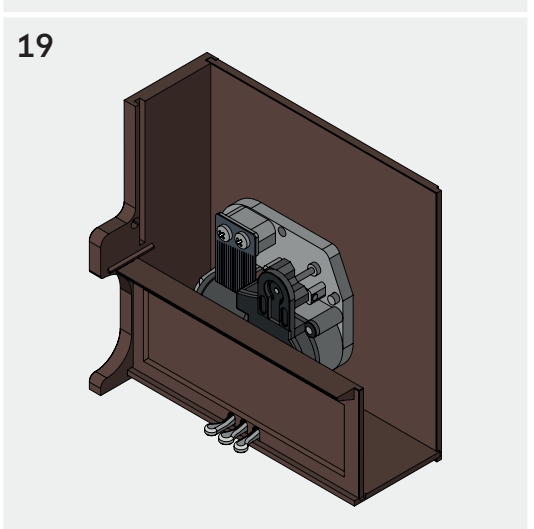
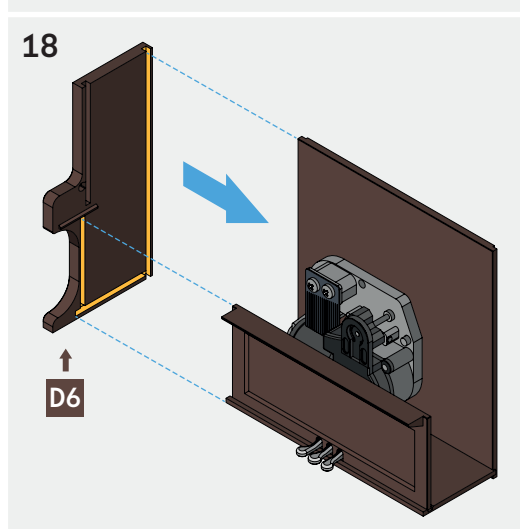
Attach the front bottom panel **D5** to the base plate.



Apply a thin layer of superglue **M1** to the left side panel **D6**.



Attach the left side panel **D6**.



ASSEMBLY INSTRUCTIONS

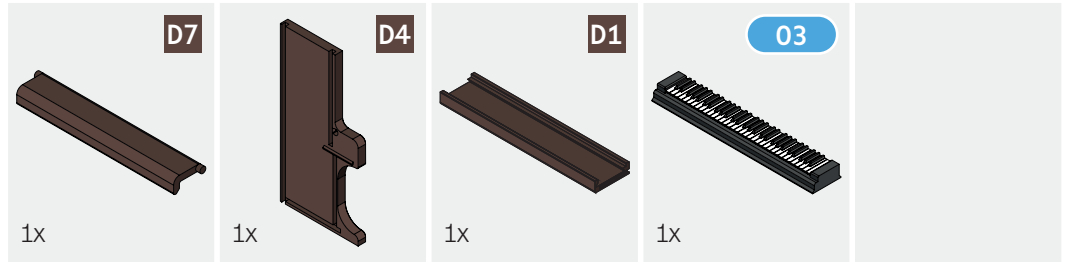
ASSEMBLY

UPRIGHT PIANO



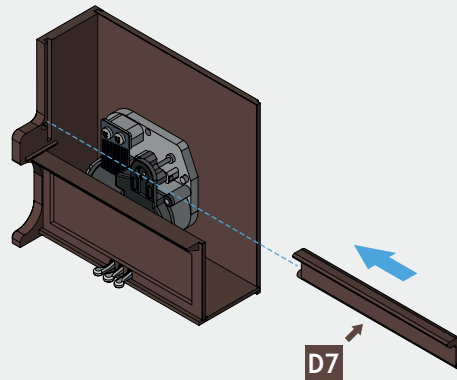
SheepMe!

NEEDED PARTS

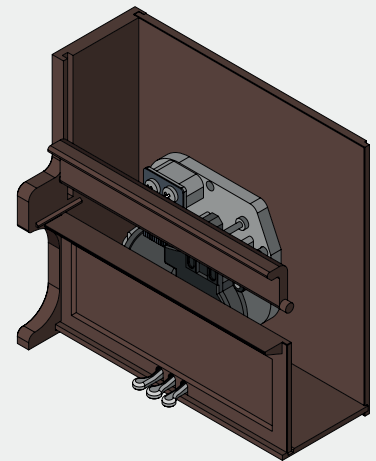


Slide the keyboard lid **D7** into the left side panel.

20

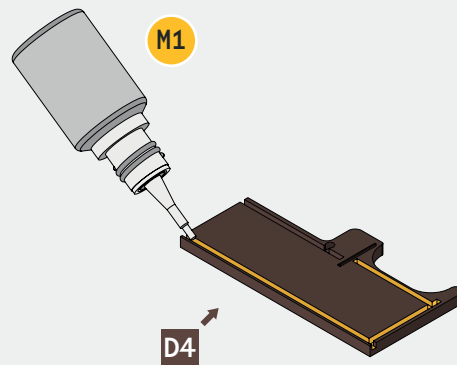


21

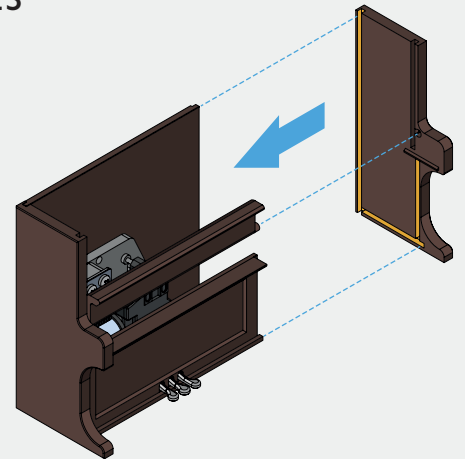


Apply a thin layer of superglue **M1** to the right side panel **D4** and attach it to the piano.

22

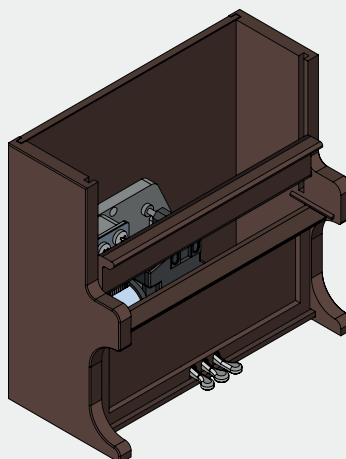


23

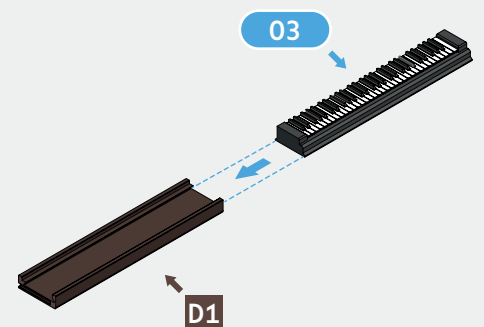


Slide the keyboard from step **03** into the keyboard bay **D1**.

24



25



ASSEMBLY INSTRUCTIONS

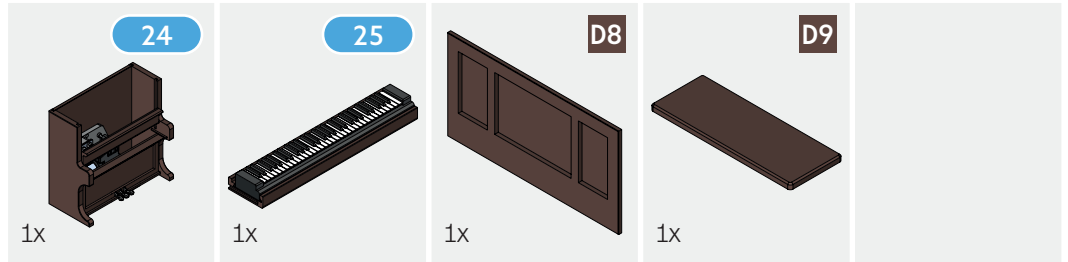
ASSEMBLY

UPRIGHT PIANO

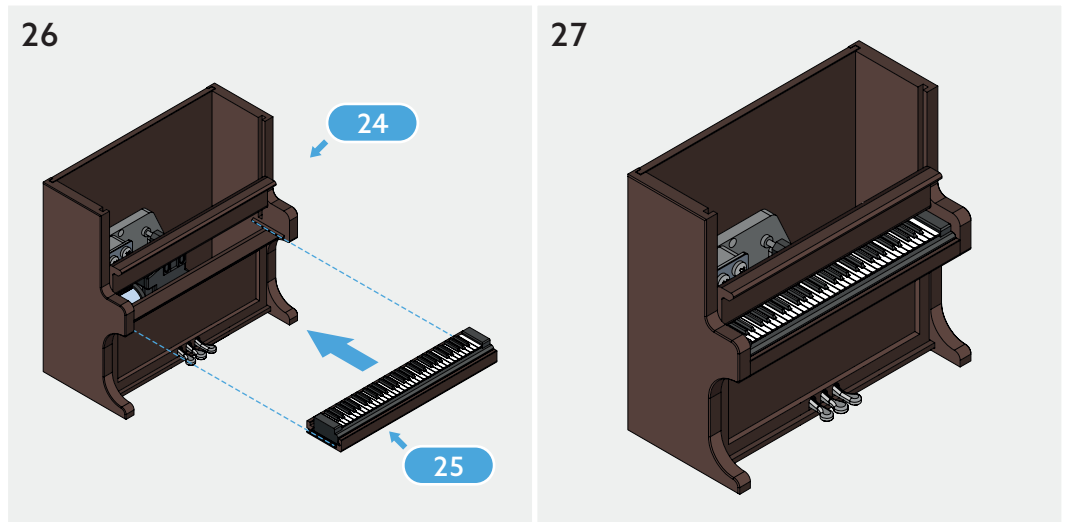


SheepMe!

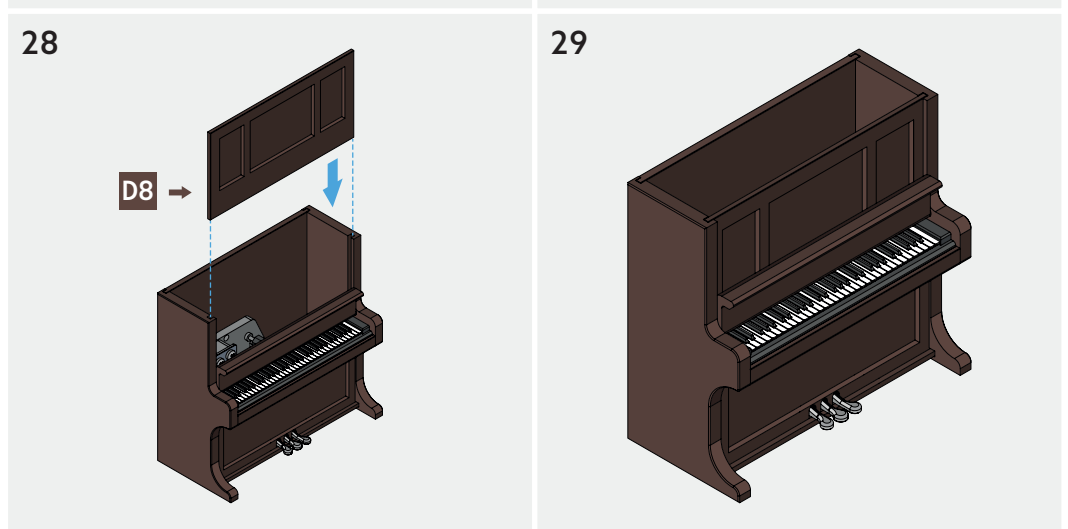
NEEDED PARTS



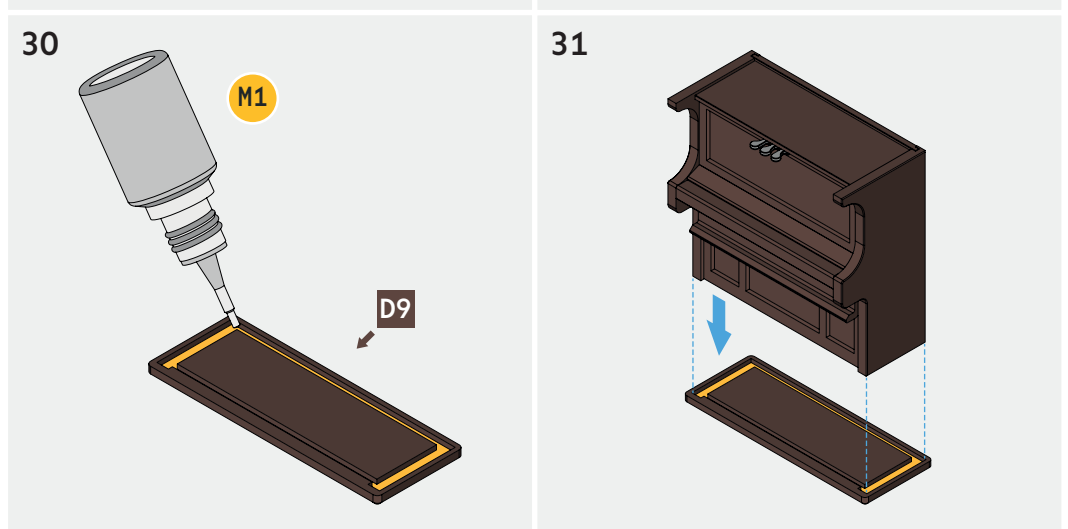
Slide the keyboard bay from step 25 into the piano.



Slide the upper front panel D8 into the piano.



Apply a thin layer of superglue M1 to top lid D9 and attach it to the piano.



ASSEMBLY INSTRUCTIONS

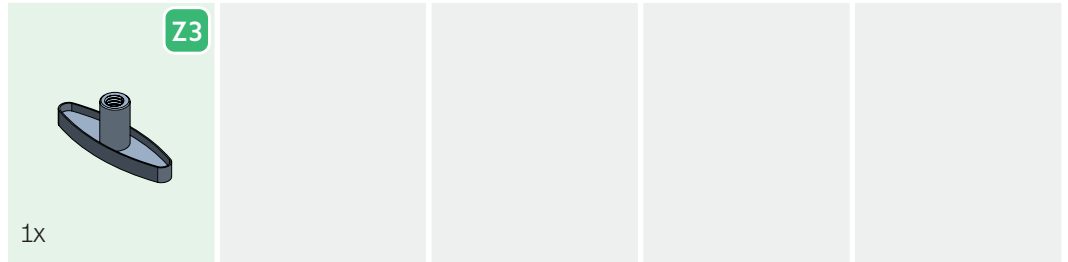
ASSEMBLY

UPRIGHT PIANO



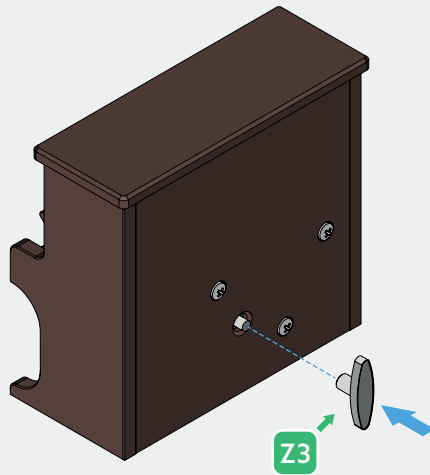
SheepMe!

NEEDED PARTS



Install the wind-up key **Z3** at the music box wind-up mechanism.

31



32

