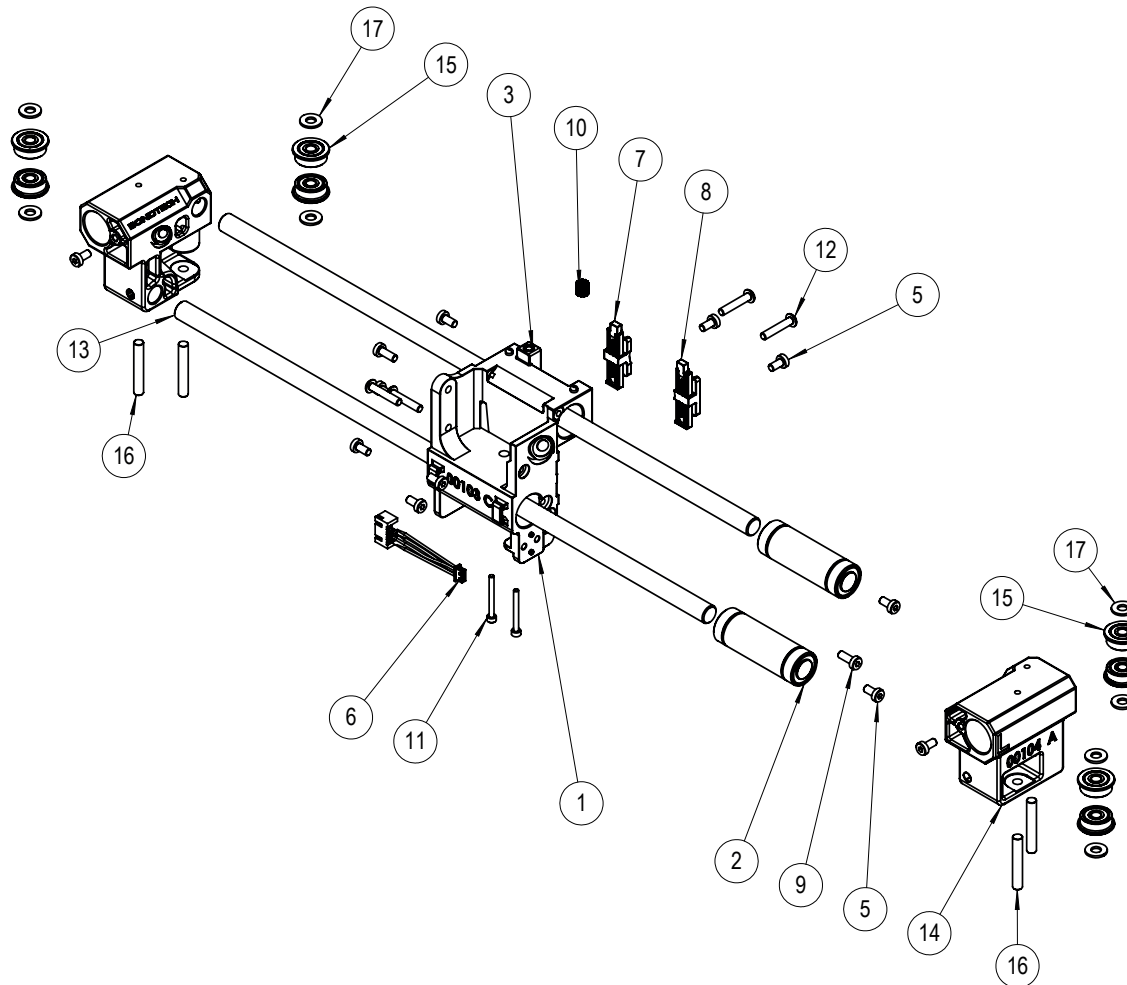


# #accessories set

ACC01CRL41265  
SKU



NAME LGX Lite PRO Accessories for Creality K1 K1C

TYPE Accessories Set

SKU ACC01CRL41265

Item Ref.	Qty.	Description	Article Number
1	1	LGX Lite PRO X-Carriage for Creality K1/Max	02PRT61CRG00103
2	2	Linear Ball Bearing LM8LUU	01MCH00BRG00106
3	9	Thread insert M3x4.1	002/M3
4	2	Thread insert M2x4	01FST30INS00085
5	10	Low Head Cap Screw Black Oxide M3x6	MX3X6L
6	1	LGX Lite XHP-4 to Micro 4-PIN Adapter cable	01LCT00CBL00087
7	1	Creality K1/Max X-Carriage Belt Retainer Right	02PRT61HLD00112
8	1	Creality K1/Max X-Carriage Belt Retainer Left	02PRT61HLD00113
9	3	Low Head Cap Screw Black Oxide M3x8	M3X8L
10	4	Stainless Lockwasher M3	01FST15WSH00109
11	2	Socket Head Screw M2x20	01FST13BLT00108
12	4	Button Head Hex Stainless Steel M3x16	MK6SM3X16
13	2	X-Rod for Creality K1 K1C 302.5mm	01MCH09RDS00110
14	1	X-Rod holder for Creality K1/Max Left	02PRT61HLD00104
15	8	Flanged Ball Bearing 4x13x5	01MCH09BRG00114
16	4	Hardened Cylindrical Shaft h8 4x25	01FST08PNS00084
17	8	Brass Precision Shim 4.2x9x0.9	01FST29WSH00116
18	1	X-Rod Holder for Creality K1/Max Right	02PRT61HLD00105