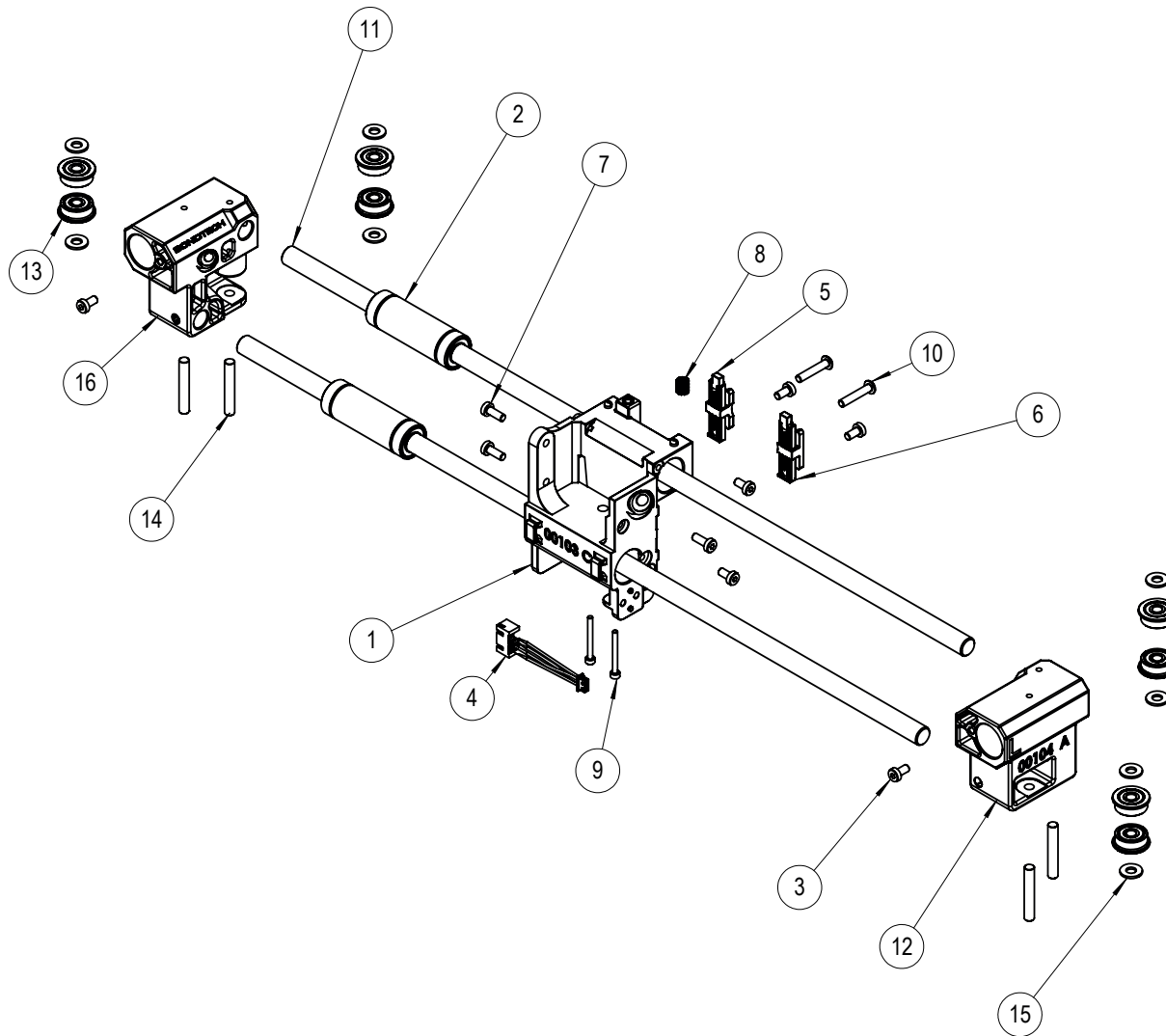


#accessories set

ACC01CRL41275
SKU



NAME LGX Lite PRO Accessories for Creadity K1 Max

TYPE Accessories Set

SKU ACC01CRL41275

Item Ref.	Qty.	Description	Article Number
1	1	LGX Lite PRO X-Carriage for Creadity K1/Max	02PRT61CRG00103
2	2	Linear Ball Bearing LM8LUU	01MCH00BRG00106
3	8	Low Head Cap Screw Black Oxide M3x6	MX3X6L
4	1	LGX Lite XHP-4 to Micro 4-PIN Adapter cable	01LCT00CBL00087
5	1	Creadity K1/Max X-Carriage Belt Retainer Right	02PRT61HLD00112
6	1	Creadity K1/Max X-Carriage Belt Retainer Left	02PRT61HLD00113
7	3	Low Head Cap Screw Black Oxide M3x8	M3X8L
8	4	Stainless Lockwasher M3	01FST15WSH00109
9	2	Socket Head Screw M2x20	M2X20OBEH
10	2	Button Head Hex Stainless Steel M3x16	MK65M3X16
11	2	X-Rod for Creadity K1 Max 382mm	01MCH09RDS00111
12	1	X-Rod holder for Creadity K1/Max Left	02PRT61HLD00104
13	8	Flanged Ball Bearing 4x13x5	01MCH09BRG00114
14	4	Hardened Cylindrical Shaft h8 4x24	01FST08PNS00084
15	8	Brass Precision Shim 4.2x9x0.9	01FST29WSH00116
16	1	X-Rod Holder for Creadity K1/Max Right	02PRT61HLD00105