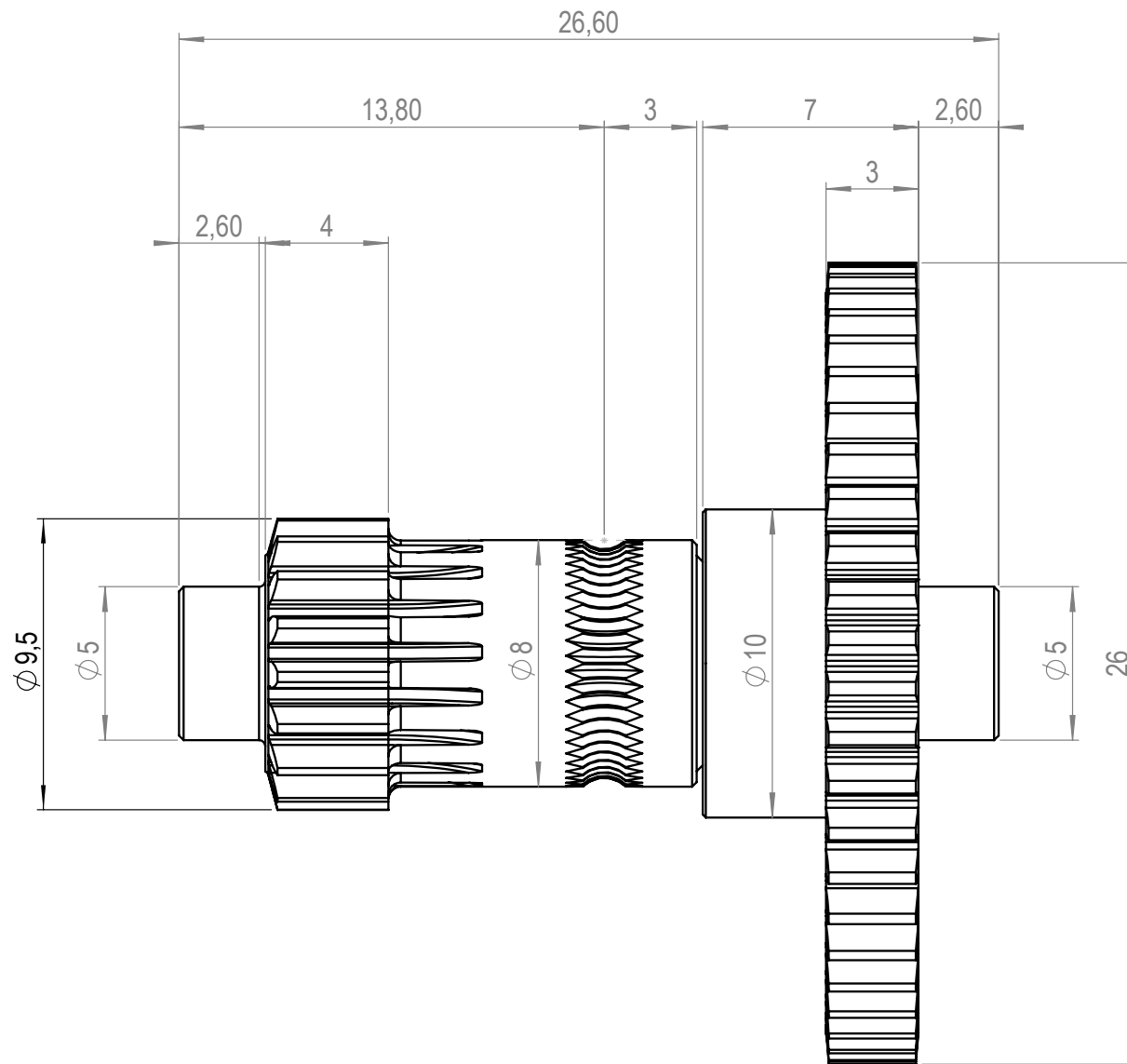


# #accessories

DGK01BMG41203

SKU



NAME OEM All Metal Set for Sherpa RIDGA V2

TYPE Accessories

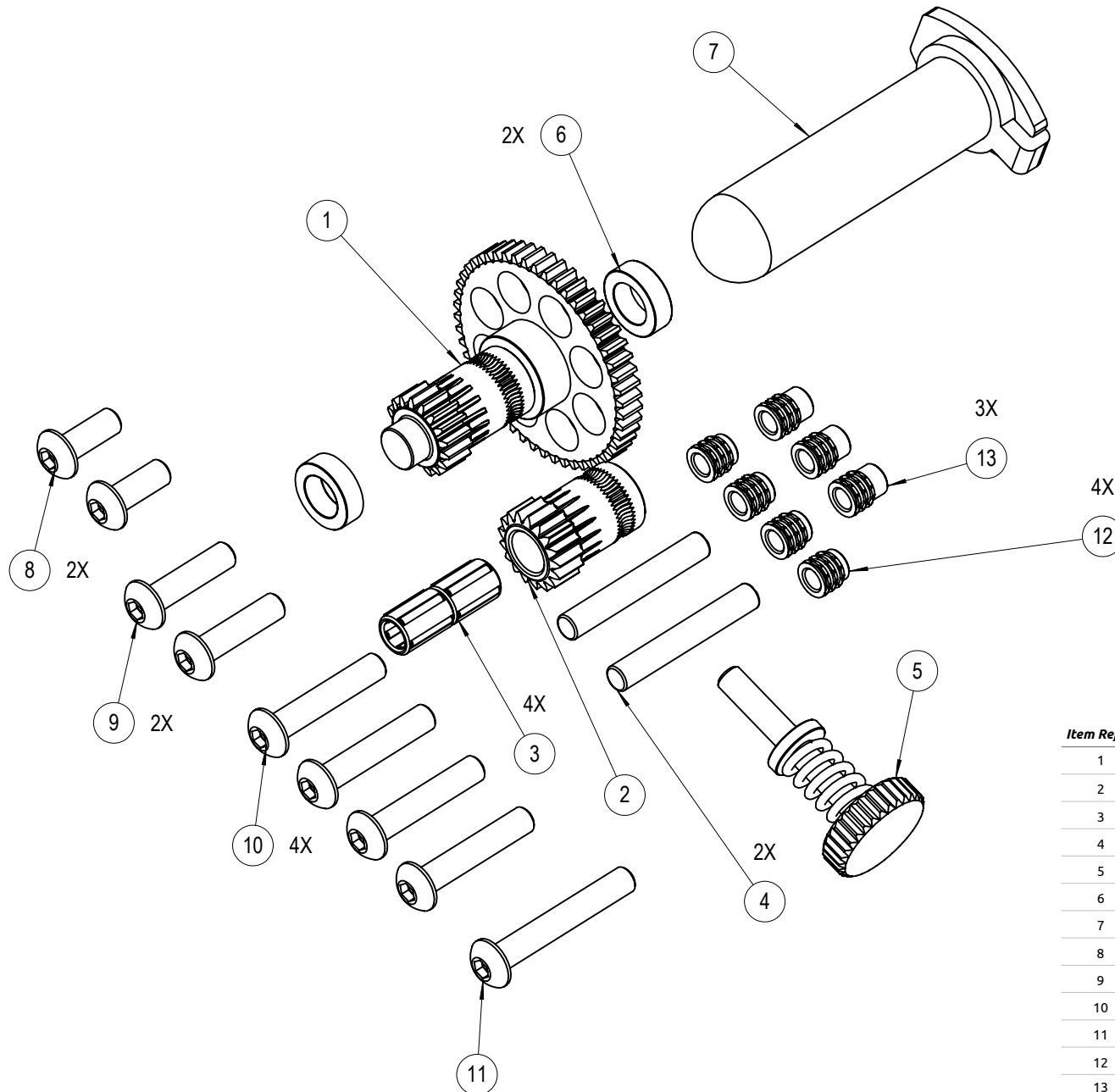
SKU DGK01BMG41203

#### Specifications

Extruder Compatibility	Sherpa Mini, Sherpa Micro, Sherpa Heavy
Drivegear Gear Teeth	17
Large Gear Teeth	50
Drivegear Assembly Material	Hardened Steel
Materials Compatibility	Works with all filaments

# #accessories

DGK01BMG41203  
SKU



Item Ref.	Qty.	Description	Article Number
1	1	Reversed Integrated Drive Gear Assembly Metal	02GRS10BMG00138
2	1	Secondary Drivegear 1.75/5.0 Nitrocarburised	02GRS10BMG00146
3	4	Needlebearing	K3X5X7
4	2	Hardened Cylindrical Shaft 3x20	STIFT3X20M6
5	1	Thumbscrew Assembly	15026
6	2	Ballbearing 5x8x2.5	MR85ZZ
7	1	PrintSmooth High-Performance Gearing Grease	15189
8	2	Button Head Hex Stainless Steel M3x8	MK6SM3X8OBEH
9	2	Button Head Hex Stainless Steel M3x12	MK6SM3X12OBEH
10	4	Button Head Hex Stainless Steel M3x16	MK6SM3X16
11	1	Button Head Hex Stainless Steel M3x20	MK6SM3X12OBEH
12	4	Heat Set Insert M3xD5xL4	01 FST30INS00051
13	3	Heat Set Insert M3xD5xL6	01 FST30INS00052