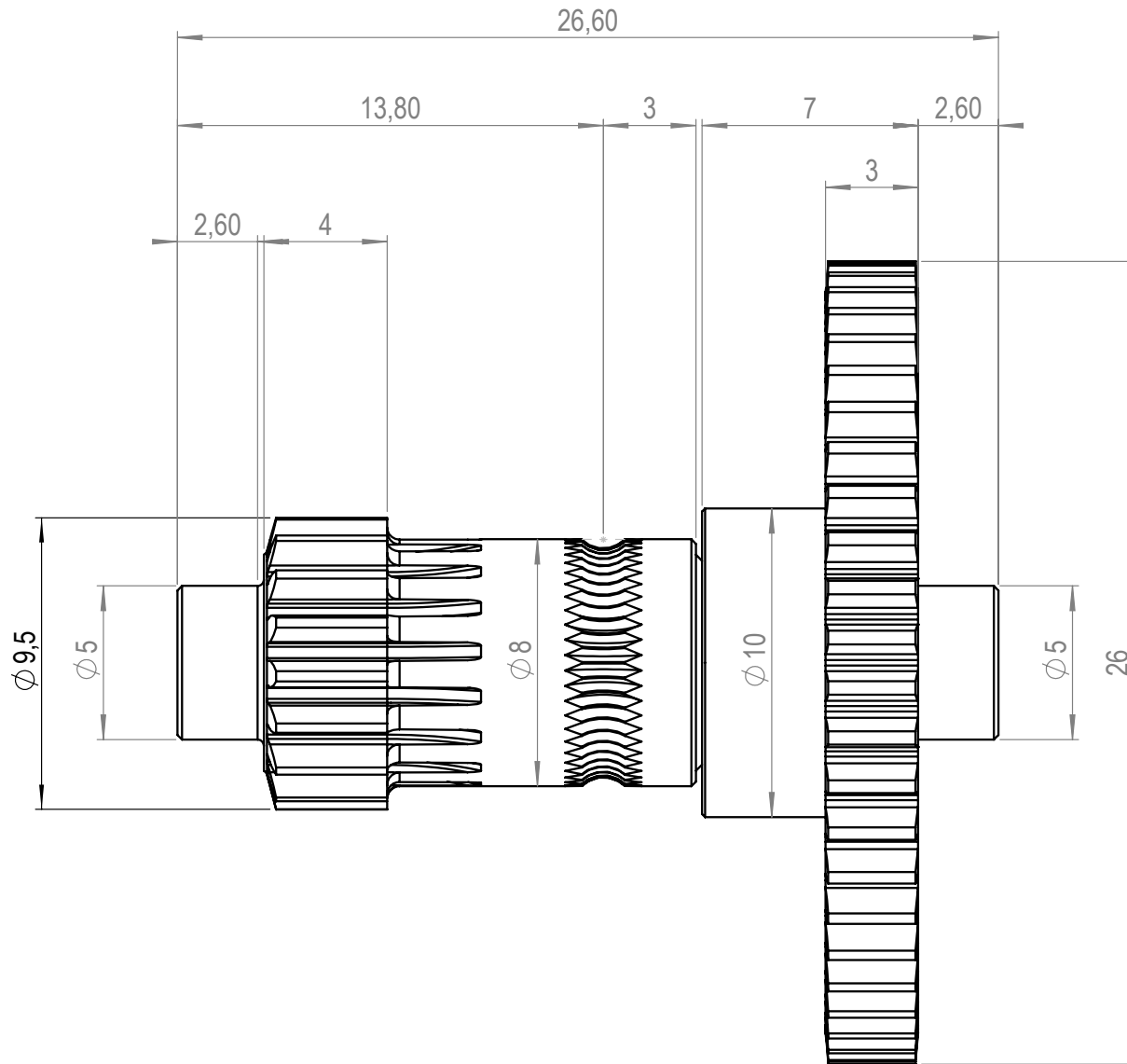


#accessories

DGK01BMG41668

SKU



NAME OEM All Metal RIDGA V2 Set

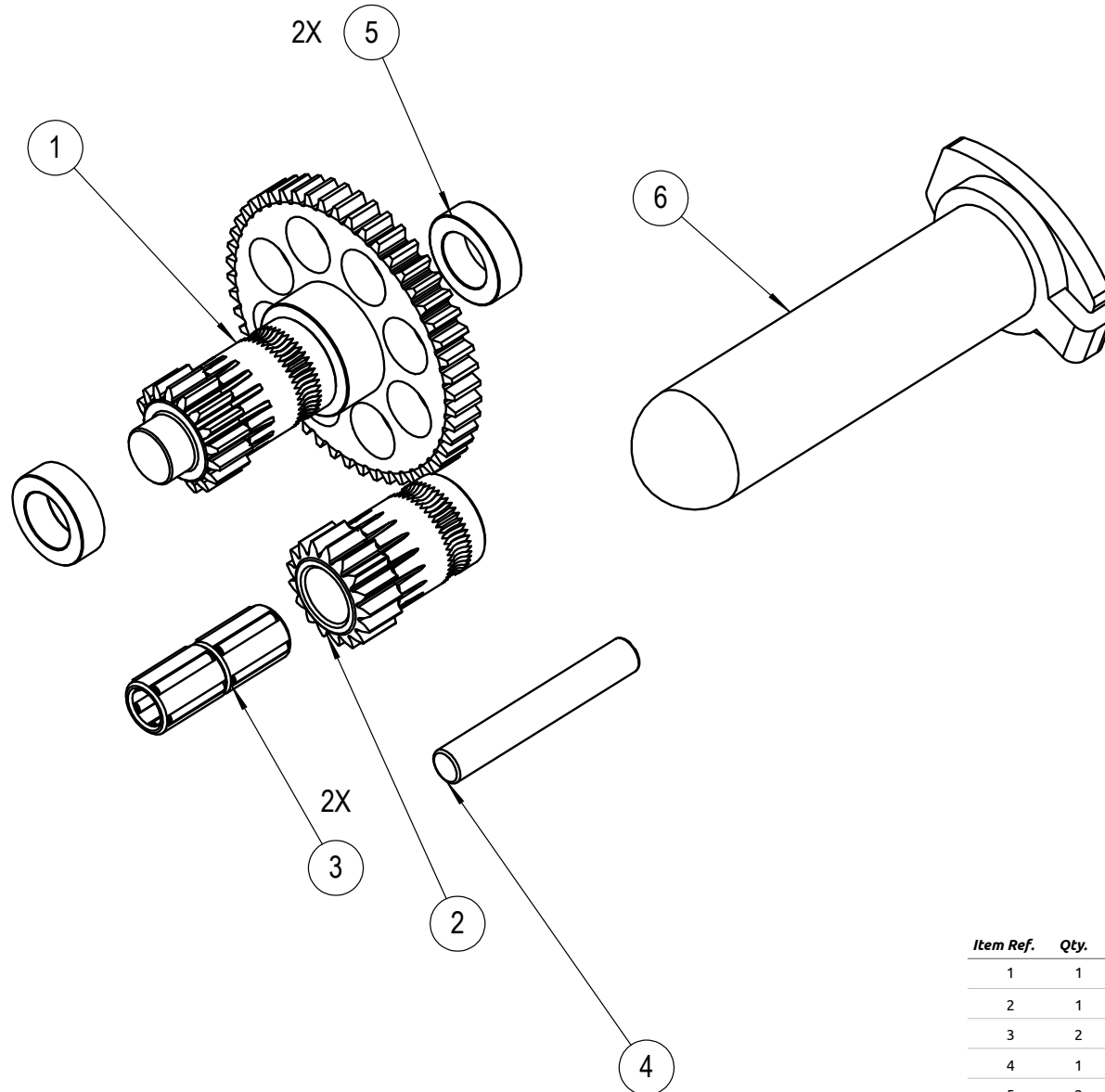
TYPE Accessories

SKU DGK01BMG41668

Specifications

Extruder Compatibility	Sherpa Mini, Sherpa Micro, Sherpa Heavy
Drivegear Gear Teeth	17
Large Gear Teeth	50
Drivegear Assembly Material	Hardened Steel
Materials Compatibility	Works with all filaments

#accessories SKU DGK01BMG41668



Item Ref.	Qty.	Description	Article Number
1	1	Reversed Integrated Drive Gear Assembly Metal	02GRS10BMG00138
2	1	Secondary Drivegear 1.75/5.0 Nitrocarburised	02GRS10BMG00146
3	2	Needlebearing	K3X5X7
4	1	Hardened Cylindrical Shaft 3x20	STIFT3X20M6
5	2	Ballbearing 5x8x2.5	MR85ZZ
6	1	PrintSmooth High-Performance Gearing Grease	15189