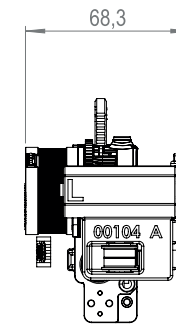
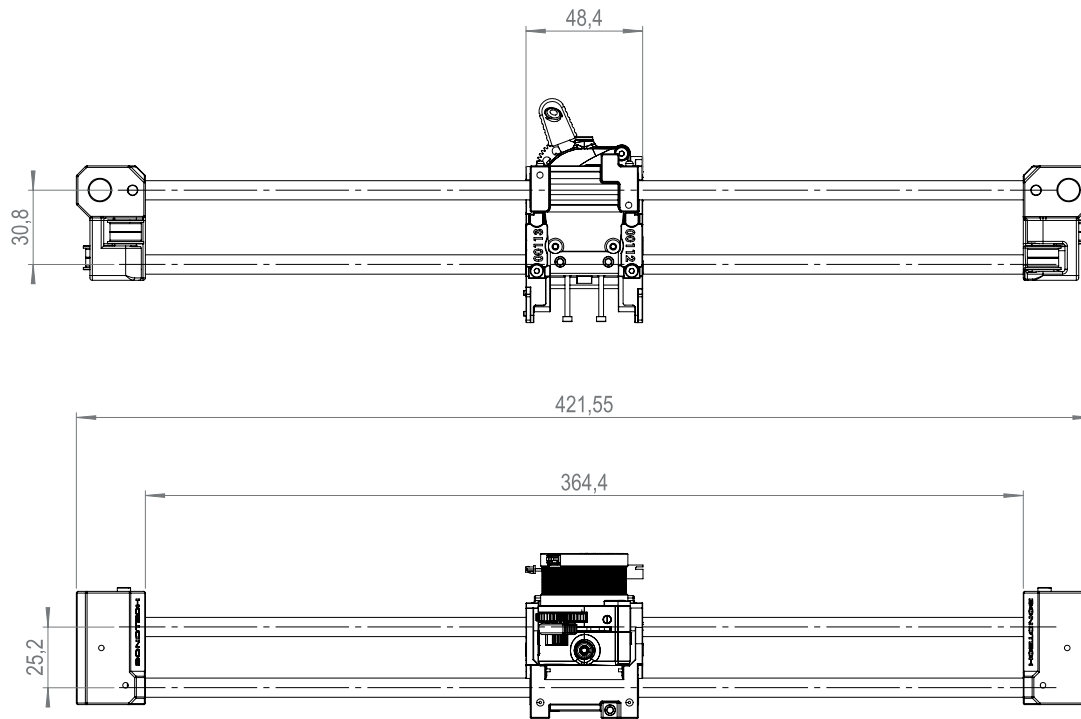


#upgrade kit

UPG01CRL41272
SKU



NAME LGX Lite PRO Upgrade Kit for Creality K1 Max

TYPE Upgrade Kit

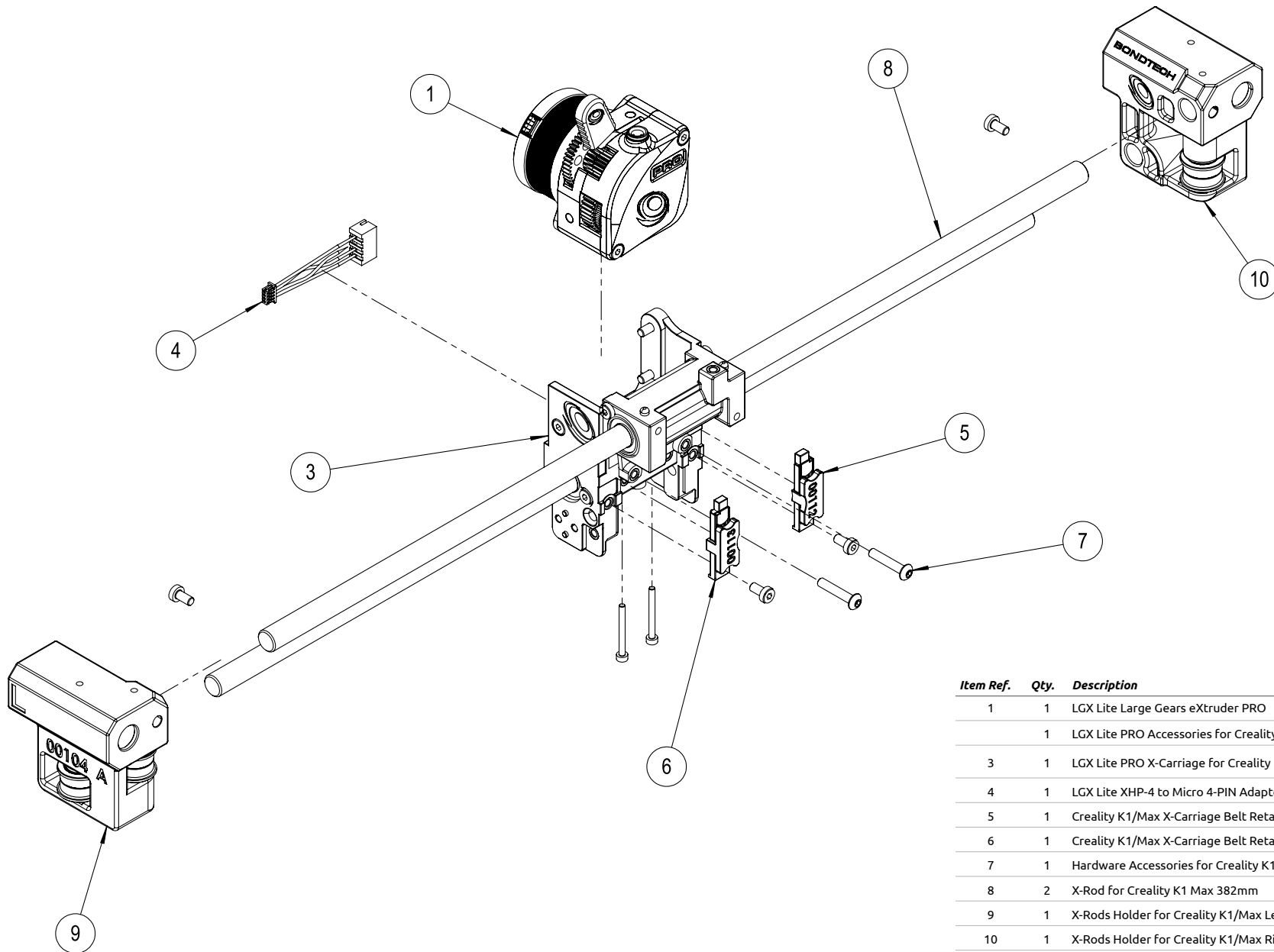
SKU UPG01CRL41272

Specifications		Comments
Filament Diameter	1.75mm	
Compatible Printer	Creality K1 & K1C	
Compatible Hotend	Stock	
Includes	LGX Lite Large Gears eXtruder PRO, LGX Lite PRO Accessories for Creality K1 K1C	
E-Steps	800 @ 1/16-bit micro stepping 1600 @ 1/32-bit micro stepping	Klipper rotation distance 4.0
Drive Wheels	Hardened Steel	
Top Fitting Tube Od	4.0 mm	
Materials Compatibility	Abrasive, rigid, semi-flexible, flexible and soft	
Mounting	bottom (2 points); right (2 points), left (2 point), front to motor (3 points),	See drawing above for more details about mounting points location and thread dept
Max Tightening Torque	0.3Nm	
Housing	PA 12 GF	SLS printed housings with glass filled Nylon (PA12 GF)
Working Temperature	Up to 100°C	

Specifications		Comments
Weight	230 g	Net weight
Motor Insulation Class	Class-H	Up to 180°C
Tension	Adjustable with 5 fixed positions	1-2 Rigid Materials. 2-3 Semi-Flexible. 3-5 Flexible/Soft
Max Peak Current 1.0A	Recommended current 550-650mA	
Stepper Motor	Nema14 Round Stepper 22mm Ø36mm	
Motor Connector	JST-XH-4-pin connector	
Filament Diameter	1.75 mm	
Lubrications	Berutox FB22	
CE Certified	Yes	
RoHS	Yes	
REACH	Yes	

#upgrade kit

UPG01CRL41272
SKU



Item Ref.	Qty.	Description	Article Number
1	1	LGX Lite Large Gears eXtruder PRO	EXT01LGX41012
	1	LGX Lite PRO Accessories for Creality K1/Max	ACC01CRL41265
3	1	LGX Lite PRO X-Carriage for Creality K1/Max	02PRT61CRG00103
4	1	LGX Lite XHP-4 to Micro 4-PIN Adapter cable	01LCT00CBL00087
5	1	Creality K1/Max X-Carriage Belt Retainer Right	02PRT61HLD00112
6	1	Creality K1/Max X-Carriage Belt Retainer Left	02PRT61HLD00113
7	1	Hardware Accessories for Creality K1/Max	02FST00STS00107
8	2	X-Rod for Creality K1 Max 382mm	01MCH09RDS00111
9	1	X-Rods Holder for Creality K1/Max Left	02PRT61HLD00104
10	1	X-Rods Holder for Creality K1/Max Right	02PRT61HLD00105
11	2	Low Head Cap Screw Black Oxide M3x6	MX3X6L