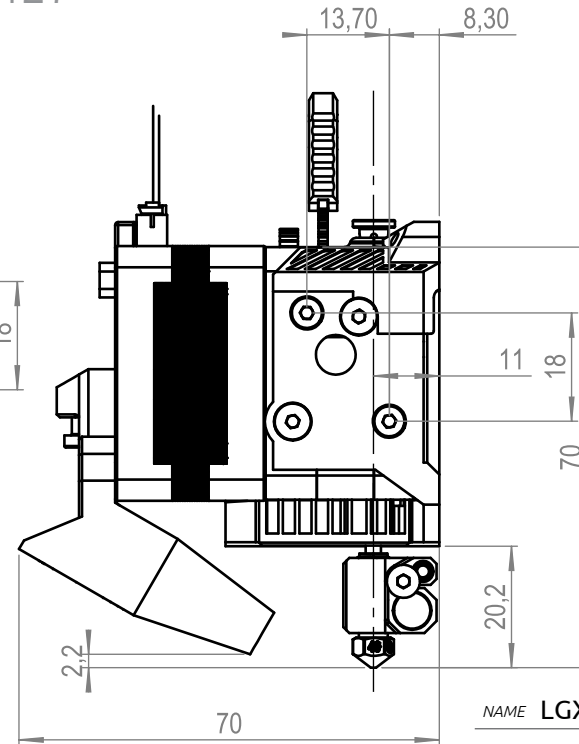
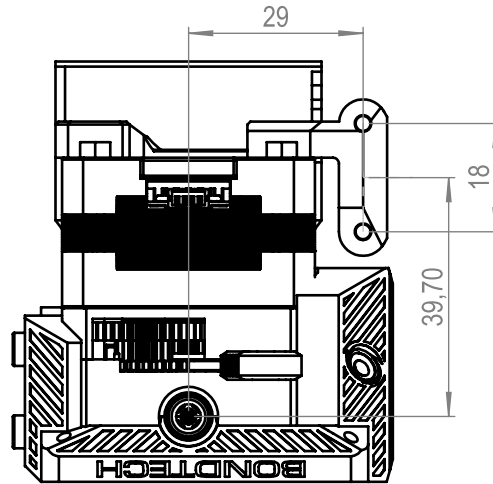
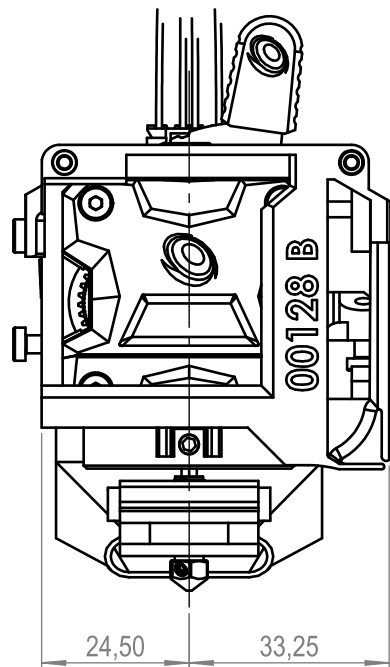


#upgrade kit

UPG01CRL41427
SKU



NAME LGX SK Copperhead Upgrade Kit

TYPE Upgrade Kit

SKU UPG01CRL41427

SPECIFICATIONS

Filament Diameter	1.75mm
Compatible Printers	Verified Creality Printers using Sprite
Compatible Hotend	Bondtech SK Copperhead
Includes	LGX eXtruder, LGX SK Copperhead Hotend, LGX SK Copperhead Accessories
Estep	410 @ 1/16 microstepping 810 @ 1/32 microstepping
Drive Wheels	Hardened Steel
Top Fitting Tube Od	4.0 mm
Materials Compatibility	Abrasive, rigid, semi- flexible, flexible and soft
Mounting	bottom (2 points); right (2 points), left (2 point), front to motor (3 points)
Max Tightening Torque	0.3Nm
Housing	PA 12 GF
Working Temperature	Up to 100°C

COMMENTS

Creality Ender-3 S1, Creality Ender-3 S1, Pro Creality Cr-10 Smart Pro
Klipper rotation distance 7.805
See drawing above for more details about mounting points location and thread depth
SLS printed housings with glass filled Nylon (PA12 GF)

SPECIFICATIONS

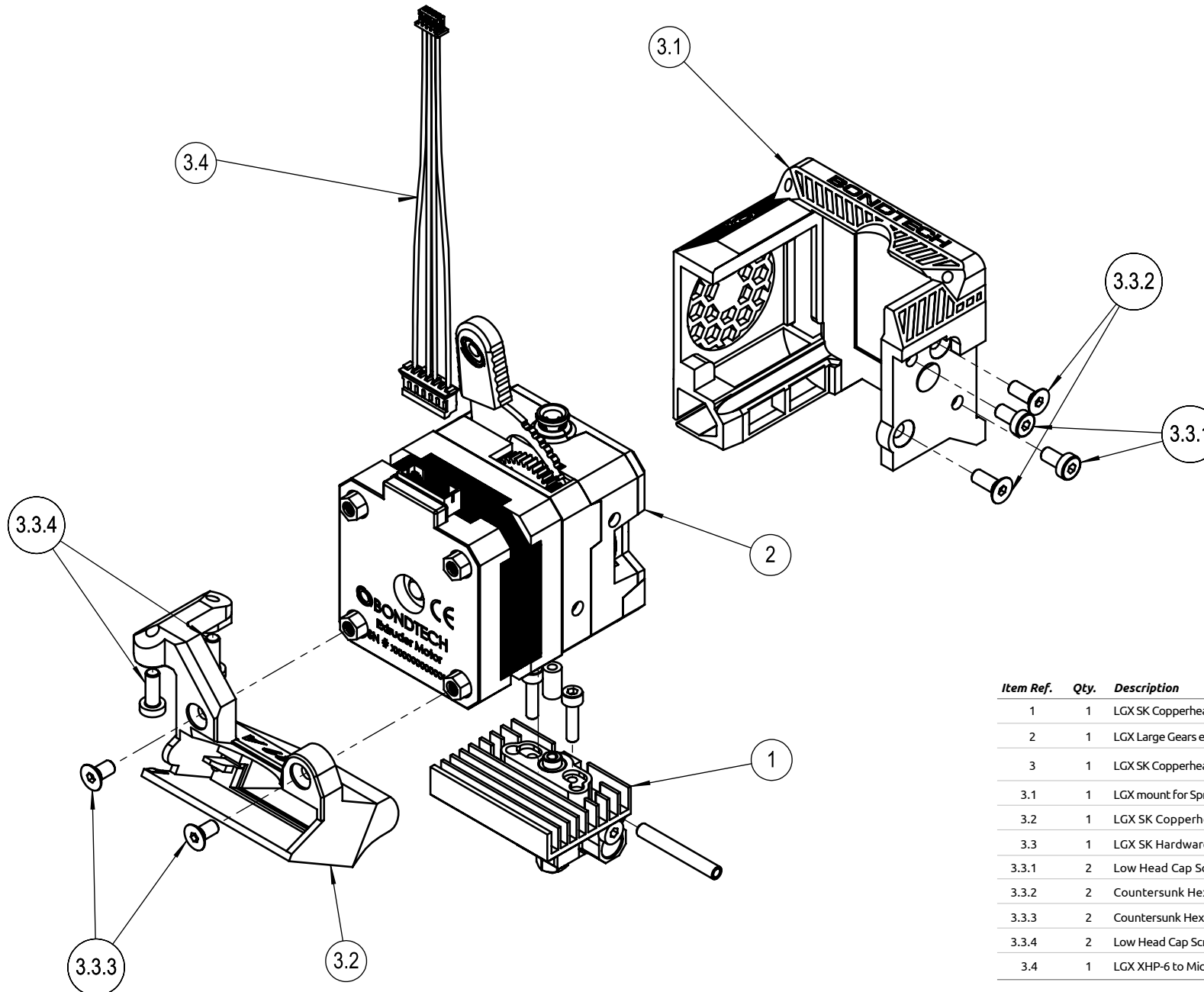
Weight	299 g
Motor Insulation Class	Class-H (180°) ; 75K Max
Tension	Adjustable with 5 fixed positions
Max Peak Current 0.7 A (Peak Value)	Recommended current 500-550mA
Stepper Motor	Nema17 25mm Stepper Motor 14T Gear
Motor Connector	JST B6B-XH-A
Filament Diameter	1.75 mm
Lubrications	Berutox FB22
Ce Certified	Yes
Rohs	Yes
Reach	Yes

COMMENTS

Net weight
Up to 180°C
0 open. 1-2 Rigid Materials. 2-3 Semi-Flexible. 3-5 Flexible/Soft
LGX Motor

#upgrade kit

UPG01CRL41427
SKU



Item Ref.	Qty.	Description	Article Number
1	1	LGX SK Copperhead Hotend - Short Hotend Kit	HOT01CPP41429
2	1	LGX Large Gears eXtruder	EXT-LGX
3	1	LGX SK Copperhead For Sprite upgrade Accessories	ACC01CRL41428
3.1	1	LGX mount for Sprite backplate	02PRT61MT00128
3.2	1	LGX SK Copperhead 4010 Fan shroud	02PRT61FSD00129
3.3	1	LGX SK Hardware Accessories for Sprite Upgrade	02FST00STS00130
3.3.1	2	Low Head Cap Screw Black Oxide M3x6	MX3X6L
3.3.2	2	Countersunk Hex screw Black Oxide M3x8	M3X8FSOBEH
3.3.3	2	Countersunk Hex screw Black Oxide M3x6	M3X6FSOBEH
3.3.4	2	Low Head Cap Screw Black Oxide M3x8	M3X8L
3.4	1	LGX XHP-6 to Micro 4-PIN Adapter Cable	01LCT00CBL00088

UPGRADE KIT EXPLODED VIEW #02/02