



silhouette
CURIO 2

User's Manual

MANUAL NO. CURIO2-UM-151



To ensure safe and correct use

- To ensure the safe and correct use of your machine, read this manual thoroughly prior to use.
- Do not allow small children to touch the machine.
- The following describes important points for safe operation. Be sure to observe them strictly.

Conventions Used in This Manual

To ensure the safe and accurate use of the machine as well as to prevent human injury and property damage, the safety precautions provided in this manual are ranked in the three categories described below. Their display and meaning are as following. Be sure to gain a full understanding of the meaning of them before reading the Manual.



DANGER

This category provides information that, if ignored, is highly likely to cause fatal or serious injury to the operator.



WARNING

This category provides information that, if ignored, is likely to cause fatal or serious injury to the operator.





CAUTION



This category provides information that, if ignored, could cause injury to the operator or damage to the machine.

Description of Safety Symbols





The  symbol indicates information that requires careful attention (including warnings). The specific point requiring attention is described by an illustration or text within or next to the  symbol.



The  symbol indicates an action that must be performed. Such imperative action is described by an illustration or text within or next to the  symbol.



The  symbol indicates an action that is prohibited. Such prohibited action is described by an illustration or text within or next to the  symbol.

Preface

Thank you for choosing a Silhouette CURIO2.

The Silhouette CURIO2 is a small cutting plotter. In addition to cutting marking film and other media, a Silhouette CURIO2 can also be used as a foil stamping or embossing by using specialty tools.

To ensure safe and correct use, be sure to read this User's Manual thoroughly prior to use.

After reading, please keep it in a safe place where you can find it at any time.

Notes on this Manual

- (1) No part of this publication may be reproduced, stored in a retrieval system, or transmitted, in any form or by any means, without the prior written permission of Silhouette Japan Corporation.
- (2) The product specifications and other information in this manual are subject to change without notice.
- (3) While every effort has been made to provide complete and accurate information, please contact your sales representative if you find any unclear or erroneous information or wish to make other comments or suggestions.
- (4) Notwithstanding the stipulations in the preceding paragraph, Silhouette Japan Corporation assumes no liability for damages resulting from either the use of the information contained herein or the use of the product.

Registered Trademarks

All names of companies, brands, logotypes, and products appearing in this manual are the trademarks or registered trademarks of their respective companies.

Copyright

This User's Manual is copyrighted by Silhouette Japan Corporation.

About the words and phrases in this text

- All names of products in this manual are referred as the "Silhouette CURIO2", except where specifically noted.
- The Silhouette Studio screens that appears when Silhouette CURIO2 is connected to a Windows 10 environment. The screen menu differs depending on the connected PC environments. In addition, the screens and function names that have been provided is subject to change with the software upgrade.

Before using this machine, please read this manual

Precautions for Silhouette CURIO2 Handling

In order to use the Silhouette CURIO2 safely and correctly, as well as to establish an excellent cut, be sure to read the following describes important points thoroughly prior to use.

⚠ CAUTION

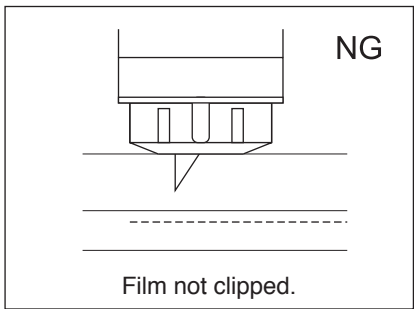
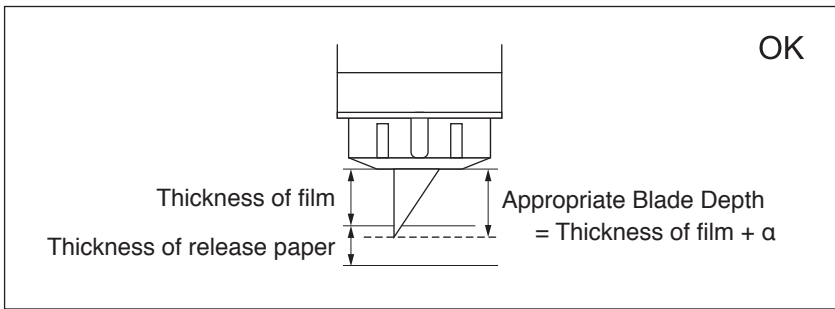
- To avoid bodily injury, handle cutter blades with care.
- Physical damage to the new machine caused by customers will not be covered by the warranty, unfortunately we cannot offer you an exchange the machine or cutter blade.

Always make a test cut before cutting

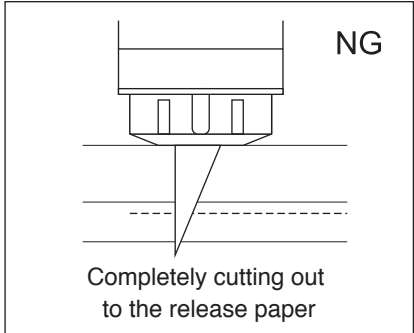
If cutting conditions such as Blade Depth, Force and Speed are not appropriate, the blade tip may break or the Electrostatic Bed may be damaged. Also, the expected cutting results may not be obtained and the media may be wasted.

Optimal cutting conditions vary depending on the thickness and quality of the media used and the degree of wear of the cutter. Make a test cut every time you change the media.

Blade Depth as a guideline



The most important setting in cutting is to adjust the Blade Depth. Adjust so that the blade protrudes slightly more than the thickness of the media to be cut.
When cutting the cutting film, extend the cutter blade more than the film but not through the release paper.



Be sure to use the Electrostatic Bed Protection Sheet

The Silhouette CURIO2 uses an electrostatic writing panel to fix the media. If the surface of the electrostatic bed is damaged, the high voltage part will be exposed, which is very dangerous. In addition, it may cause a decrease in adsorption force. Be sure to use the Electrostatic Bed Protection Sheet.

Precautions after powering on the Silhouette CURIO2

When the power is turned on, the Y bar moves toward you. Do not let your hands, hair, or clothing get too close to the moving parts or do not place any foreign objects in or near these areas either. If your hands, hair, clothing, or the like get caught in, or wrapped around moving parts, you may be injured and the machine may be damaged.

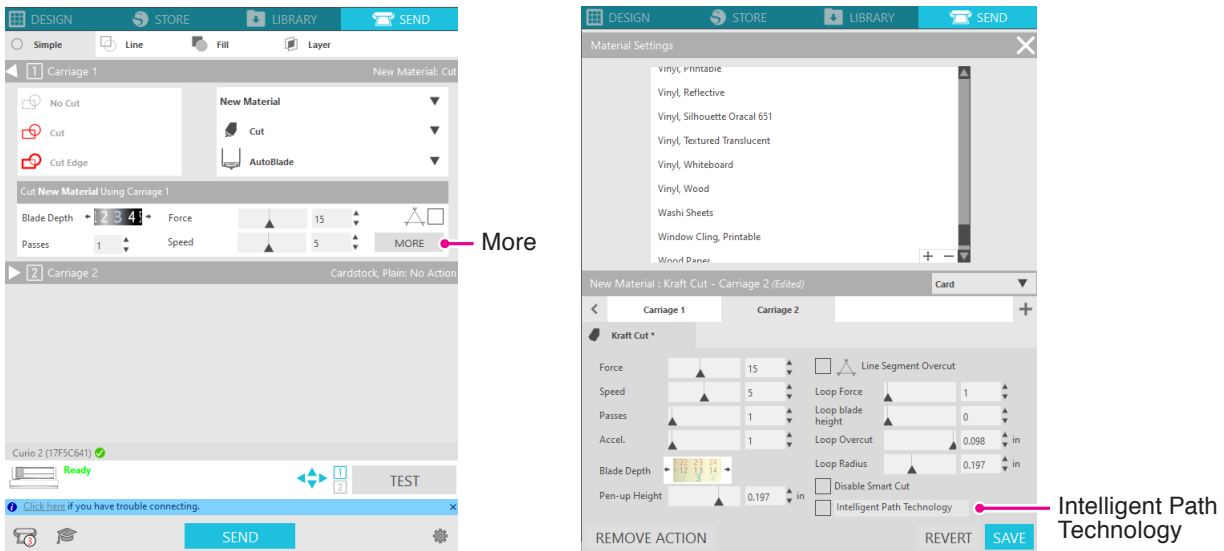
Intelligent Path Technology

Intelligent Path Technology function offers specialized cutting options, such as controlling the cutting order automatically.

This allows you to predict the occurrence of paper jams, based on the geometry of the cutting shapes during cutting even delicate material.

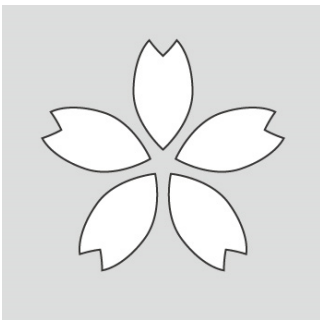
A paper jam occurs when the tension caused by the blade is not resisted by a sheet of paper during the cutting. If the material is not fixed firmly, the blade may hook the thin paper and causes a paper jam or the material can be misaligned by depending on the cutting order.

* This can be used to check the box in front of "Intelligent path Technology"(Silhouette Studio)



The ability that reduces paper shift makes it possible to cut multiple sheets of paper on top of each other and to cut thin paper more beautiful than normal cutting.

For example, this function will be enabled if there are two or more overlaid sheets for the cutting as below.



CAUTION "Intelligent Path Technology" function does not guarantee in all cases.

Supplement This is an effective function in the following cases.

- When cutting with complicated design
- When cutting the sharp shapes and angles
- When the adhesive is easy to come off, such as sealing materials

Contents

To ensure safe and correct use	2
Preface	3
Notes on this Manual	3
Registered Trademarks	3
Copyright	3
About the words and phrases in this text	3
Before using this machine, please read this manual	4
Precautions for Silhouette CURIO2 Handling	4
Intelligent Path Technology	5
Chapter 1 Prior to use	
1.1 Check the contents of the package	10
1.2 Remove packaging materials from the Machine	11
1.3 Remove Sheet Metal	12
1.4 Name and Functions of each Component	13
1.5 Register the machine	15
Create a Silhouette account	15
Register the Machine	17
1.6 Install the software (Silhouette Studio)	20
Supported OS	20
Install on Windows	20
Install on Mac	20
1.7 Sign in with your Silhouette account	21
1.8 Obtain Free Contents	23
Check the Free contents	23
Use Trial Subscription in Silhouette Design Store	24
Confirm Activation	26
1.9 Connect the Silhouette CURIO2	27
Connect with Bluetooth	27
Connect with a USB cable	28
Chapter 2 Create a design data	
2.1 How to start the Silhouette Studio	31
Name of each button	32
2.2 Enter text	34
How to enter Japanese characters on Mac	35
2.3 Drawing Simple Shapes	36
2.4 LIBRARY	37
Silhouette Cloud	38
2.5 Set Registration Marks	39
Chapter 3 Cut using design data	
3.1 Load a media	41
3.2 Set the tool	43
Tool (optional item)	45
CURIO2 dedicated tools (optional item)	45

3.3 Set Cutting Conditions 46
 Test cut 49
3.4 Perform the cut 50

Chapter 4 Maintenance

4.1 Daily Maintenance.....52
4.2 Clean the Auto Blade 53

Chapter 5 Troubleshooting

5.1 Cutting is not performed properly 56
5.2 Firmware Update.....61
When in trouble.....62

For the latest information on this product, as well as supplies and consumables, please refer to our website for various information.

Please use it together with this manual.

<https://www.silhouetteamerica.com>

Chapter 1 Prior to use

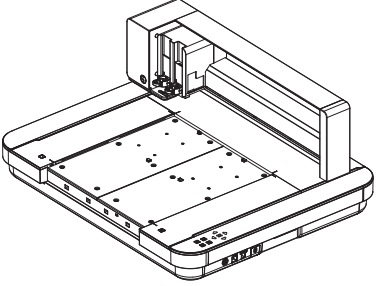
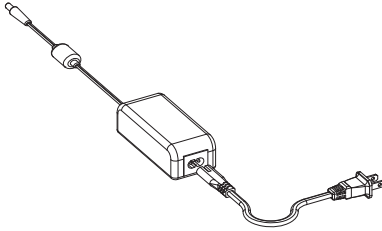
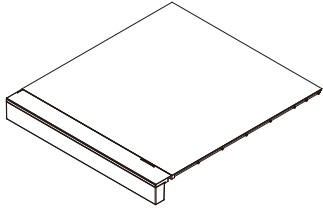
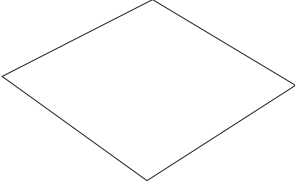
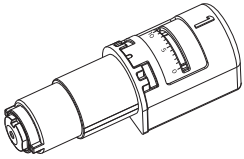
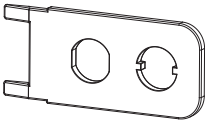
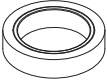
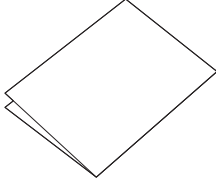
This chapter describes the outline the Silhouette CURIO2.

PRODUCT SUMMARY

- 1.1 Check the contents of the package*
- 1.2 Remove packaging materials from the Machine*
- 1.3 Remove Sheet Metal*
- 1.4 Name and Functions of each Component*
- 1.5 Register the machine*
- 1.6 Install the software (Silhouette Studio)*
- 1.7 Sign in with your Silhouette account*
- 1.8 Obtain Free Contents*
- 1.9 Connect the Silhouette CURIO2*

1.1 Check the contents of the package

The Silhouette CURIO2 comes with the items shown in the following list. Make sure all accessories are included when unpacking. If any item is missing, promptly contact the distributor where you purchased or Silhouette America Customer Center.

<p>Silhouette CURIO2</p> 	<p>AC Adapter, Power cable set</p> 	<p>Electrostatic Bed</p> 
<p>Electrostatic Bed Protection Sheet</p> 	<p>Auto Blade</p> 	<p>Handheld blade adjuster</p> 
<p>Masking Tape</p> 	<p>Safety Manual</p> 	

* In addition, various information may be attached.

* You need to purchase a USB cable (B type) for the USB connection.

1.2 Remove packaging materials from the Machine

There are packaging materials strips of tape and cushions to hold the moving parts of the Silhouette CURIO2 in place during shipment to prevent any damage to the machine.

Remove all of the packaging materials (strips of tape and cushions).

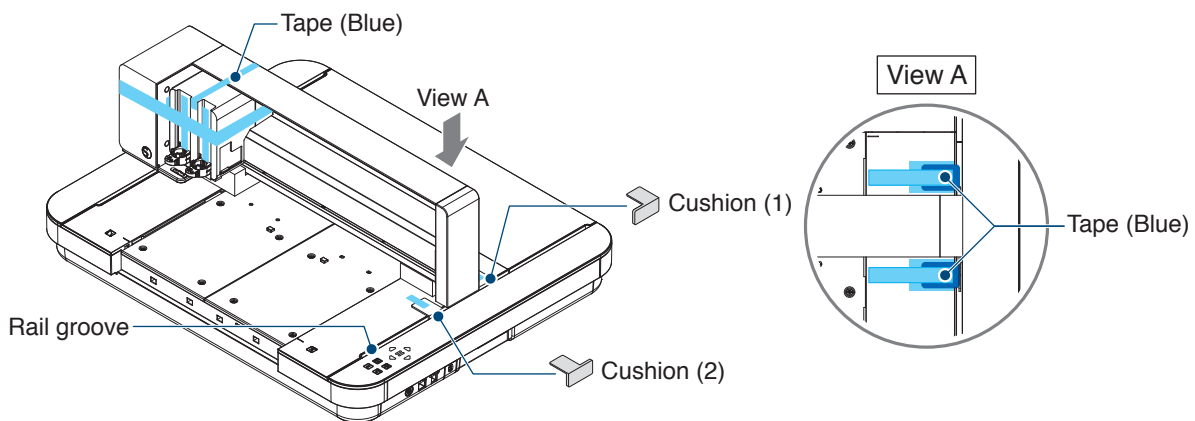
1. Take the Silhouette CURIO2 from the box.



Silhouette CURIO2 weighs approx. 11 kg.

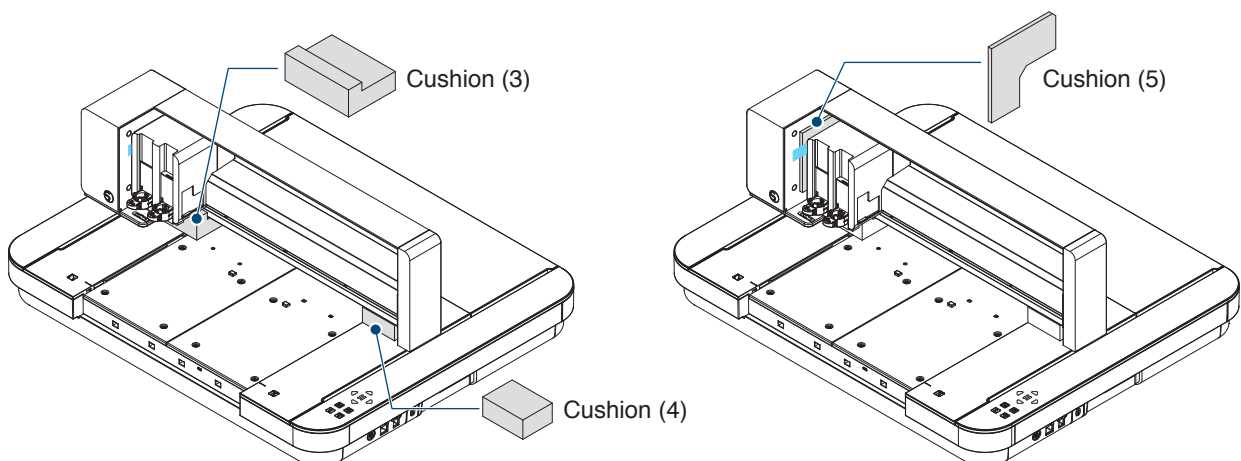
Be sure to leave enough and stable space around the Silhouette CURIO2 during packing and unpacking of this machine. Attempting to work on unstable ground without two or more people can cause the machine to fall and cause serious injury to personnel.

2. Remove the strips of tape (Blue) that are holding any parts for machine in place. Remove the two cushions (1) and (2) that are holding the Y-bar.



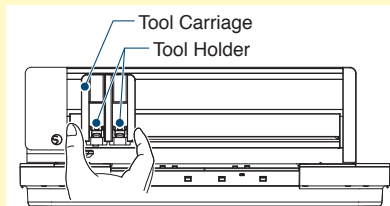
Be careful not to drop the rail groove when removing the cushions.

3. Remove the two cushions (3) and (4) that are holding the bar. Next, slide the Tool Carriage slightly to right side. Remove the cushion (5) that is fixed with tape.



When manually moving the Tool Carriage, use caution and do not hold the Tool Holder with your hand or fingers.

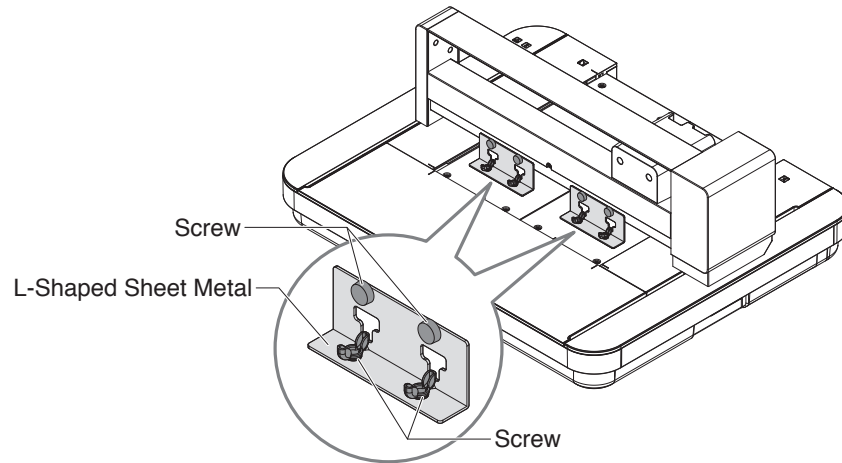
Turn off the power, hold the part shown on the right, and move it slowly. Moving it too fast may cause a malfunction.



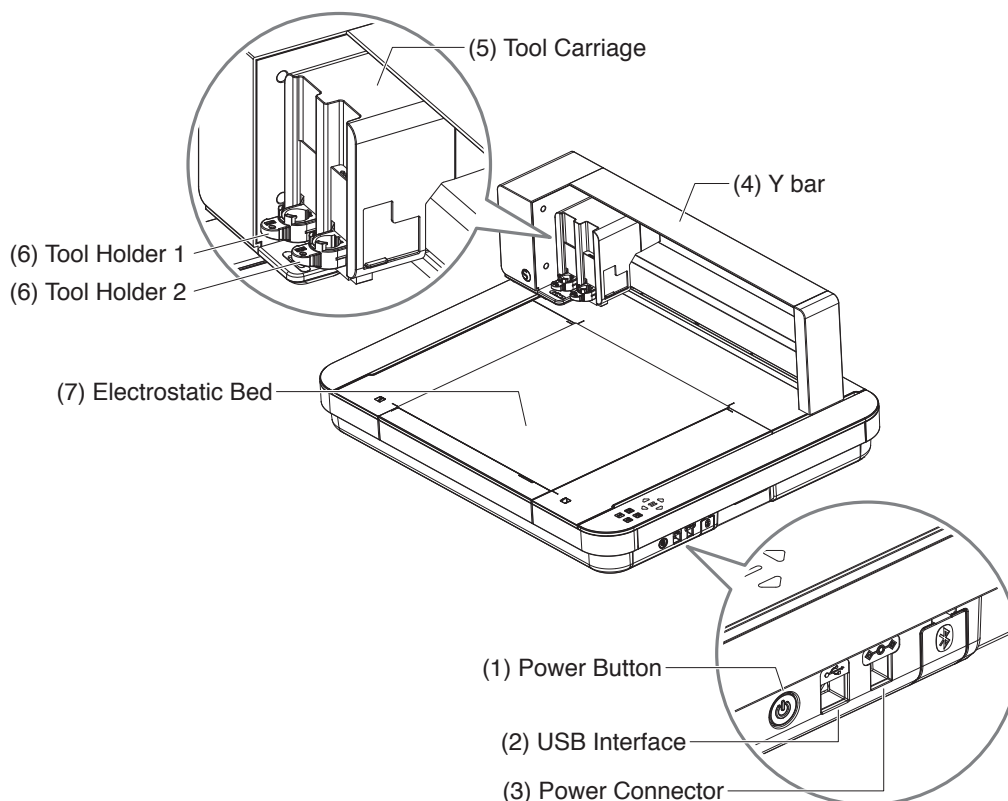
1.3 Remove Sheet Metal

There are two L-Shaped Sheet Metal (2 pcs) to mount back on the Silhouette CURIO2. Remove the L-shaped Sheet Metal before use.

Discard the removed screws without reinstalling them.



1.4 Name and Functions of each Component



(1) Power Button: Press and hold the Power Button for 2 seconds or more, then switches the power on and off.

Emergency Stop Button: When the Power Button is pressed during the operation, the cutting operation stops immediately.

(2) USB Interface: Used to connect the Silhouette CURIO2 to the computer with a USB Interface cable.

(3) Power Connector: Connect the AC adapter.

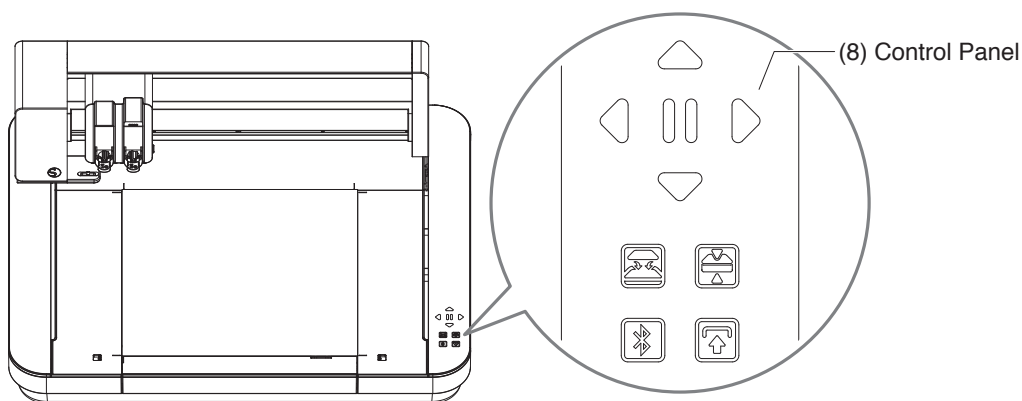
(4) Y bar: Holds the Tool Carriage; moves front/back.

(5) Tool Carriage: Part to drive the tool left and right.

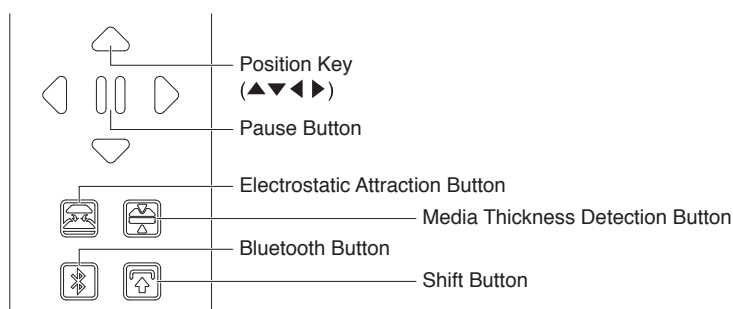
(6) Tool Holder: Holds the cutter-pen or plotting pen and moves it up or down.

(7) Electrostatic Bed: Hold down the media by electrostatic adhesion.

* For details on how to set and remove the Electrostatic Bed on the machine, refer to "3.1 Load a media".



(8) Control Panel: Once the machine is powered on, the button will only be displayed in an operational status.



Position Key: This is used when Tool Carriage and media position can be moved manually. When you press and hold down key, this will move the Tool Carriage faster.

Pause Button: Used to pause/resume cutting operation. If you want to cancel a paused cut operation, press and hold the Pause Button.

Electrostatic Attraction Button: Switches to the electrostatic adhesion ON or OFF.

Media Thickness Detection: This can be used to detect the thickness on the media.

* When you use reflective media, apply masking tape and then detect the thickness at that position.

* The sensor is attached to the bottom of the Tool Holder 2.

Bluetooth Button: Switches to the Bluetooth ON or OFF.

Shift Button: After pressing the Shift Button, the Tool Carriage moves manually to the tool set position using the [▼] of Position Key. Press the [▲] to retreat upward, and press the Pause Button to move to the origin.

1.5 Register the machine

The first thing to do is create a Silhouette account, if necessary, and register the machine. This provides the following benefits.

- This will allow you to access 100 free designs in the Silhouette Library.
- A FREE one-month Trial Subscription to the Silhouette Design Store is provided with the purchase of new Silhouette machines.

* Please note that the upper limit for download becomes variable depending on the situation of the user.

Create a Silhouette account

You can create a Silhouette account and the account creation is free.

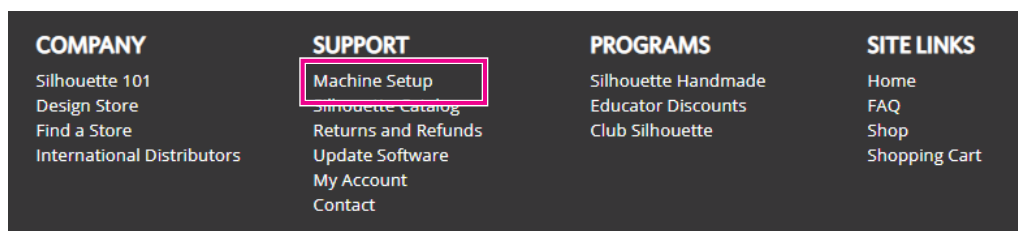
A Silhouette account allows you to register the Silhouette machine, and this same Silhouette account is used across all of the following sites. (SilhouetteAmerica.com or SilhouetteDesignStore.com)

* If you already have a Silhouette account, go to "Machine Registration".

1. Access the Silhouette America.com website.

<https://www.silhouetteamerica.com/>

2. Click on the "Machine Setup" at the bottom of the page.



3. Select the "English".

We've detected your language as

English

CONTINUE

If this is incorrect, please select your language

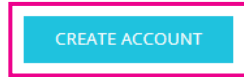
Bahasa Indonesia	Tiếng Việt
Dansk	Türkçe
Deutsch	čeština
English	Ελληνικά
Español	български
Français	Русский
Italiano	العربية
Język polski	فارسی
Magyar	ไทย
Nederlands	日本語
Português	简体中文
Svenska	繁體中文
Tagalog	한국어

4. Click on the "CREATE ACCOUNT".

Don't have an account yet?

Creating an account is **FREE**. This will allow you to register your machine, download digital content from the Silhouette Design Store, and much more.

If you have already registered a tool or set up an account through SilhouetteDesignStore.com, you already have an account and can use the same login information!



5. Enter your account information.

Enter your name, email address, password, password (retype), language and currency.

Check on the check boxes of "I agree to the privacy policy", "I agree to the Terms & Conditions", "I am over the age of 13". If you do not want to receive the newsletters (English) from Silhouette, uncheck the check box of "Send me newsletters...".



CAUTION

You may enter your password by doing the following.

If you will see a red x mark, please change or reset your password.

- Passwords must be at least 10 characters in length
- You must include at least one number.

Name

Email Address

Confirm Email Address

Password

Confirm Password

Language

Currency

Timezone

Send me newsletters about Silhouette products and information.

I agree to the Privacy Policy

I agree to the Terms & Conditions

I am over the age of 13

I'm not a robot



If there is a problem with your password, you will see a red x mark on the right.

In this case, review and re-enter your password.

If there is no problem with the password, a green check mark will appear in the password field.

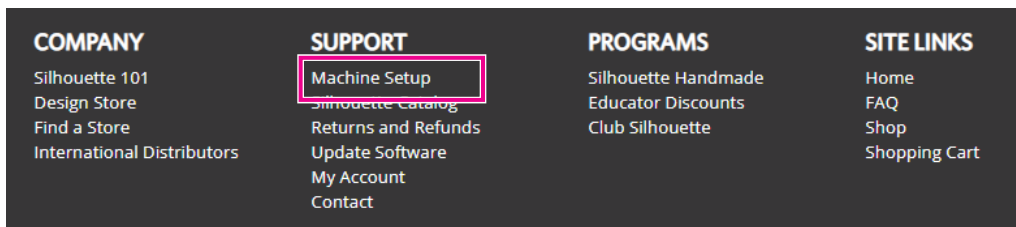
6. Check on the check box "I'm not a robot", and click on the "CREATE ACCOUNT" Button.
7. A registration confirmation email will be sent to the registered email address. Click on the link in the email to complete the machine registration.



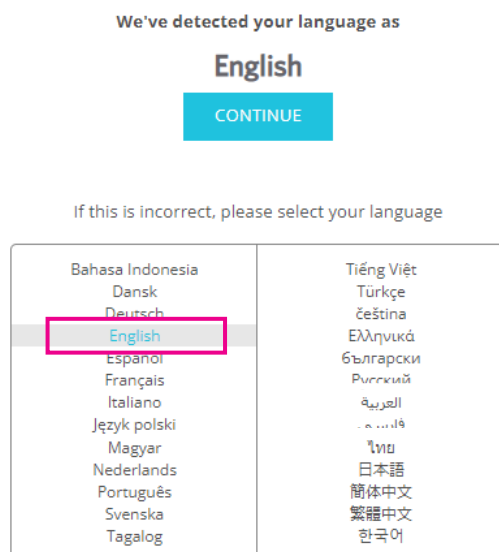
You will need to click on the link in this email in order to verify and activate your account. If you did not activate your account, you will not be able to register the machine or access the Silhouette Design Store.

Register the Machine

1. Access the Silhouette America.com website from browser.
<https://www.silhouetteamerica.com/>
2. Click on the "Machine Setup" at the bottom of the page.



3. Select the "English".



4. Click on the Sign In blue bar.

Register a NEW Machine

You will need you to sign in in order to register and set up your new machine.

SIGN IN

5. Enter your email address and password and click on the "SIGN IN" of the blue bar at the bottom of the screen.

SIGN IN

Email Address:

Password:

[Forgot password?](#)

SIGN IN

6. Select a "United States" from the country menu drop-down list, then enter your address information in your field. Click on the "CONTINUE" Button.

SILHOUETTE MACHINE SETUP

Please enter your address information:

Address:


City:

State/Province:

Zip/Postal Code:

Country:

CONTINUE

Select United States 

7. Enter the required information and click on the "CONTINUE" Button. The serial number is displayed on the back of the machine as a "all 11-digit number starting with the alphabet" on a sticker.
- * Depending on the web browser, you may need to click on the "✓" after making your selection to confirm.

Register a NEW Machine

Please enter your machine's serial number and purchase information.

Serial Number:

Purchase Date:

Store Name:

Store Country:

CONTINUE

8. Check the model to be registered and click on the "REGISTER MY MACHINE".

SILHOUETTE MACHINE SETUP



9. Once you register the machine and confirm the warranty information.

SILHOUETTE MACHINE SETUP

Congratulations! Your Silhouette CURIO™2 is now registered.

Warranty Information

The Silhouette hardware has a one year limited warranty*. The hardware warranty specifically covers issues relating to the Silhouette machine, power cord and adapter, and/or USB cord. If through the process of supporting a reported issue Silhouette America® determines any of these hardware components are faulty within the first year the Silhouette is owned (from the original purchase date and as the machine is registered), Silhouette America® can then have any one or all of these components replaced. Hardware issues should be very rare. Generally issues experienced with the Silhouette are related to the software or improper operation. Please contact the Silhouette Support Team as you may have any concerns to further troubleshoot the issue and to confirm the source of the problem.

*This warranty applies to US and Canadian customers only. For warranty information regarding machines purchased in territories outside of the US and Canada, please contact the original retail location of purchase.

[> View Full Warranty](#)

CONTINUE TO NEXT STEP

Supplement

- Click on the "> View Full Warranty" to see the details.
- After completing the machine registration, do not click on the "CONTINUE TO NEXT STEP" and follow the instructions below to install the software (Silhouette Studio).

10. Exit the screen.

1.6 Install the software (Silhouette Studio)

Access the Silhouette America.com website to select the Silhouette machine in use, and download it from the download page (<https://www.silhouetteamerica.com/software>) and use it.

<https://www.silhouetteamerica.com/software>

Important

- Before installing Silhouette Studio on a PC running Windows environments, make sure that the user has administrator privileges.
- Make sure that Silhouette Studio is not running before completing the installation.

Supported OS

- Windows 10 or later
- macOS X 10.14 (64bit) or later

Install on Windows

1. Go to the website (<https://www.silhouetteamerica.com/software>).
2. Click on the CURIO2.
3. Depending on your operating system (64bit or 32bit), click on the Windows 64-bit or Windows 32-bit.
4. Follow the instructions on the setup screen to install.
5. Click on the "Next" when prompted the setup wizard.

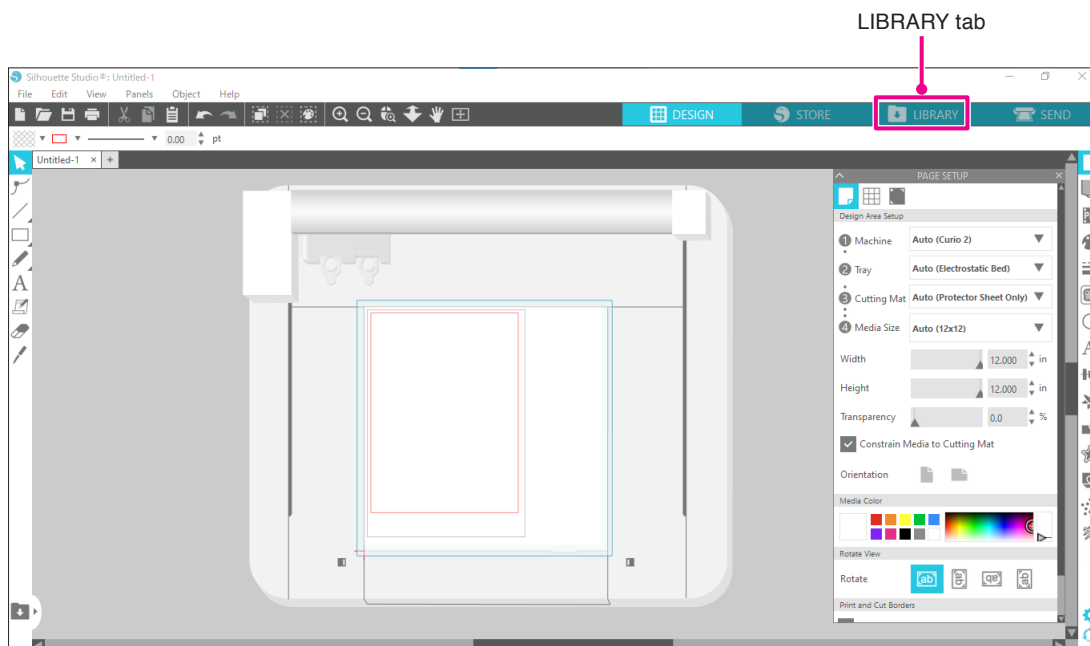
If the installation window does not appear automatically, browse to the downloaded file in "My Computer" and double-click on the "(downloaded filename).exe" program to run it.

Install on Mac

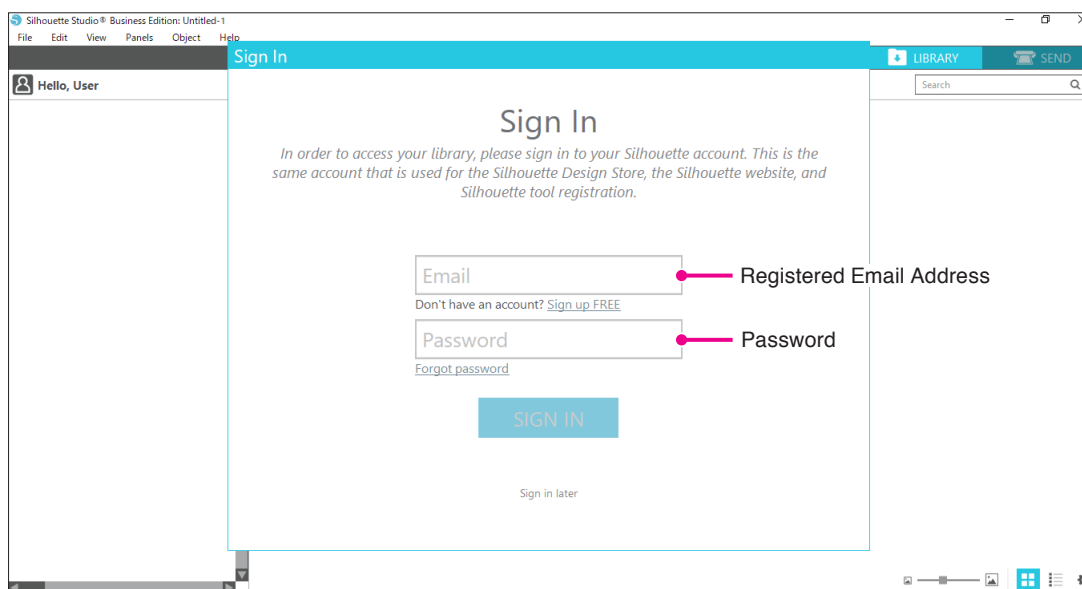
1. Go to the website (<https://www.silhouetteamerica.com/software>).
2. Click on the pull-down.
3. Double-click the "SS_Vx.x.xxx.xxx_M6R.dmg" (Version indication).
4. Drag the Silhouette Studio icon into the Applications folder and install it.

1.7 Sign in with your Silhouette account

1. Start the Silhouette Studio.
2. Click on the "LIBRARY" tab.



3. Enter the registered Email Address and Password to your Silhouette account and then sign in.



4. When Sign in is completed, your account name will be displayed and Silhouette Studio LIBRARY will be synced.



They are in sync.

1.8 Obtain Free Contents

Once machine registration is completed, you will be offered for free one-month Trial Subscription that allows you to download content for free from the Silhouette Design Store.

CAUTION

In order to use free content, it is necessary to complete the registration of a Silhouette account in advance. To register for a Silhouette account, click on the link in the confirmation email you received when you registered the Silhouette account. If you have not registered, you cannot use "Machine Registration" or "Silhouette Design Store". For more information, refer to "1.5 Register the machine" above.

Check the Free contents

After registering the Silhouette CURIO2, you will be able to access the 100 free exclusive designs that come with the machine.

For details on how to sign in with your Silhouette account, refer to "1.7 Sign in with your Silhouette account".

1. Start the Silhouette Studio for the machine.
2. Click on the "LIBRARY" tab to open the library.



3. Sign in with your account.

Supplement

If you are not signed in, you will need to do this first follow the procedure in "1.7 Sign in with your Silhouette account".

4. Once the setup is completed, 100 free contents will be displayed in the LIBRARY. These contents will be displayed in the "CURIO2" folder in "Free with Machine".



Use Trial Subscription in Silhouette Design Store

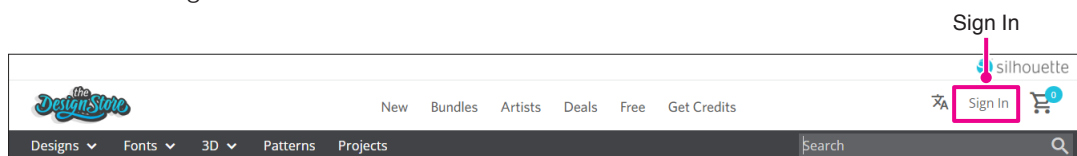
With a trial subscription, you can download contents (designs, fonts, patterns, etc.) for free* for one month after machine registration. In addition, the contents downloaded with a trial subscription can be used even after the trial ends.

* Content that can be downloaded for free is up to the displayed price (\$25 value).
The maximum display amount may vary.

1. Go to the website (<https://www.silhouettedesignstore.com>) or click on the "STORE" tab in the Silhouette Studio software.



2. Click on the "Sign In".



3. Sign in with the Silhouette account.

SIGN IN

Email Address:

Registered Email Address

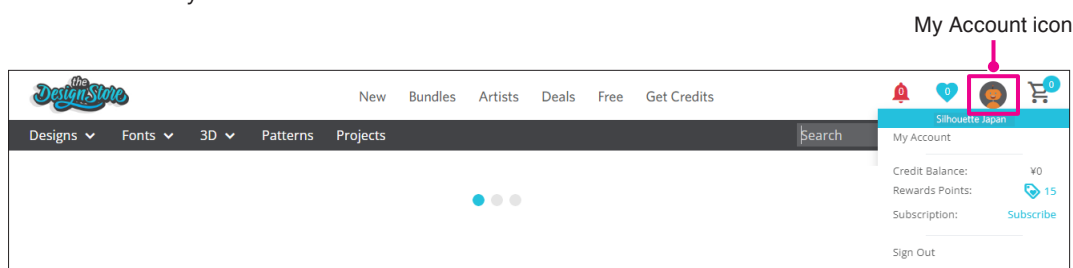
Password:

Password

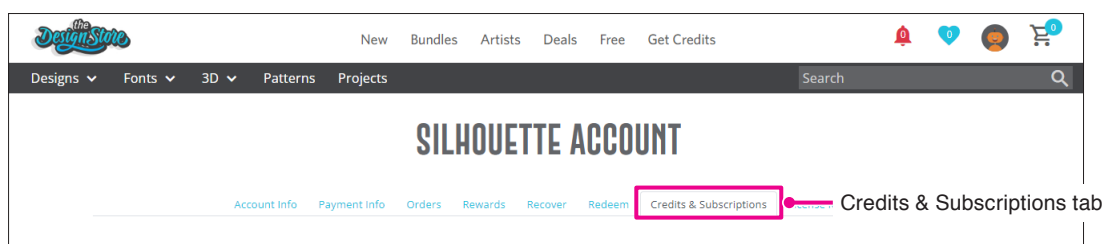
[Forgot password?](#)

Stay signed in

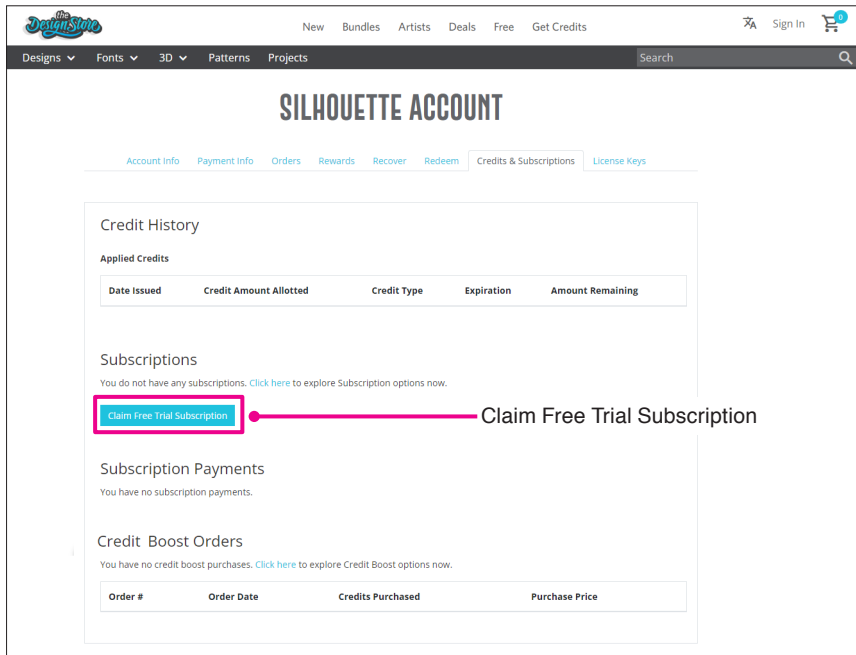
4. Click on the "My Account" icon.



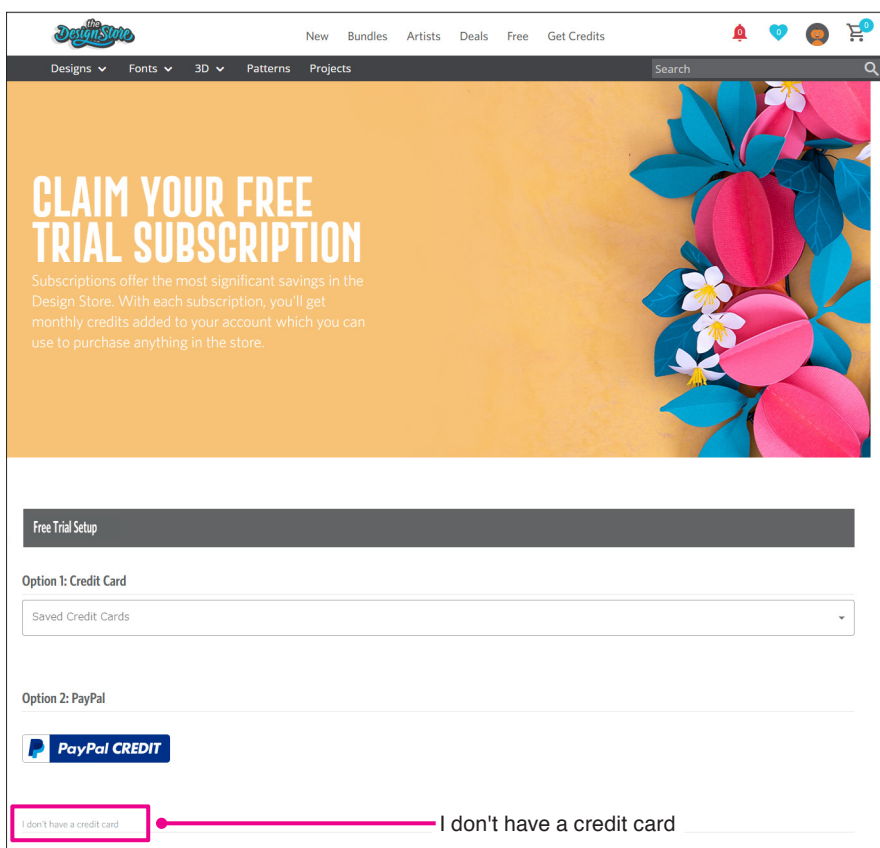
5. Click on the "Credits & Subscriptions" tab.



6. Click on the "Claim Free Trial Subscription".

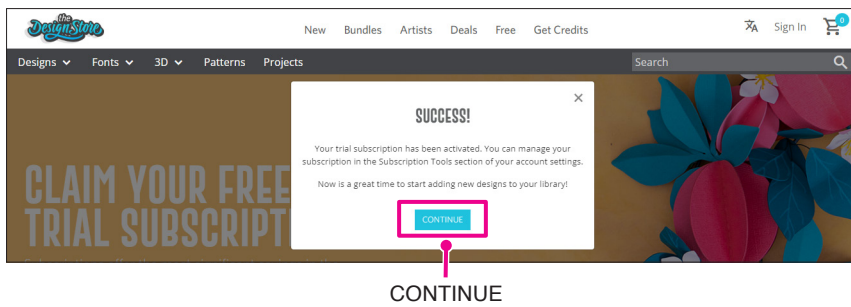


7. Click on the "I don't have a credit card" at the bottom of the screen.



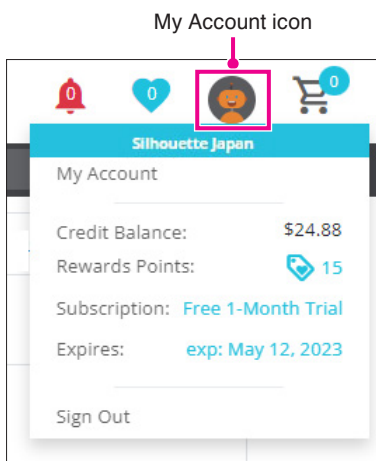
If you start the trial subscription after registering your credit card, the basic subscription will automatically start after the trial ends and your credit card will be charged monthly. For a trial only, remove your credit card information and click on the "I don't have a credit card" to start the trial.

8. When the trial subscription has been applied, the "Success" screen will appear. Once the trial subscription has started, click on the "CONTINUE" to return to the top page.



Confirm Activation

If you hover the mouse pointer over the "My Account" icon on the top right of the screen, "Free 1-Month Trial" will be displayed and you can check the Credit Balance and Expires date of the subscription.

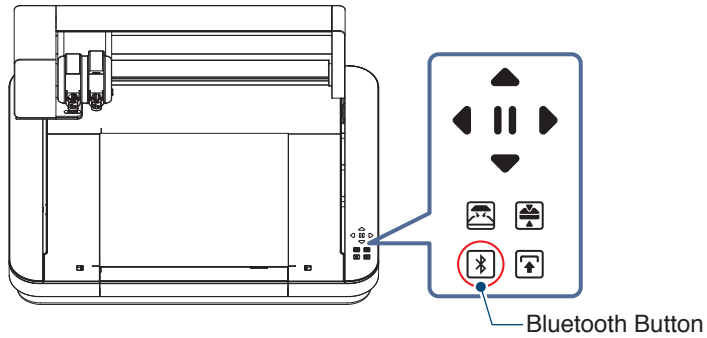


1.9 Connect the Silhouette CURIO2

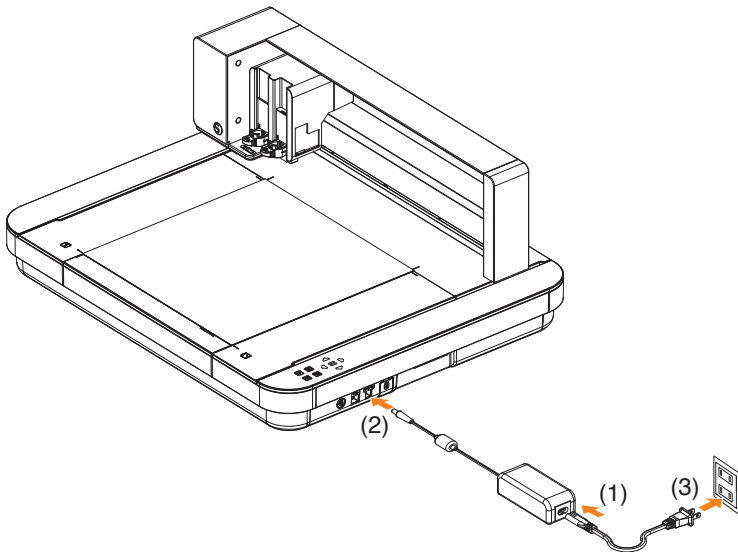
You can select to connect to the Silhouette CURIO2 to the computer using a USB cable or Wireless connection with Bluetooth. Depending on the situation, you can connect them.

Connect with Bluetooth

The Silhouette CURIO2 has a built-in Bluetooth adapter that allows wireless connection with a computer.






1. Connect the Silhouette CURIO2 to a power source.
Connect the power cables in the order of numbers ((1) to (3)) shown in the figure below.

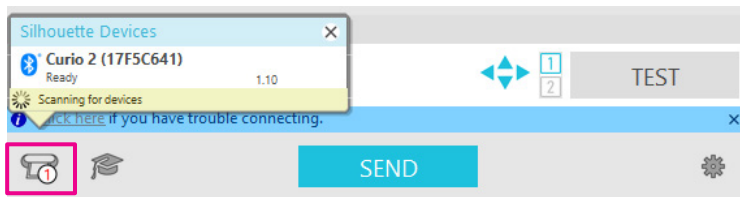


2. Touch the Bluetooth Button.
The button flashes blue and is ready for use.

Lamp color and status

	Off (white)
	Ready for use (blinking blue)
	Connecting (Lights up in dark blue)

- Turn on Bluetooth on the computer.
Open the "SEND" tab in Silhouette Studio and click on the "Silhouette Devices" icon.



Select the "CURIO2" from the displayed device List and the software will start syncing.
The setup is completed when CURIO2 status is displayed as "Ready" or "Load Media" on the "SEND" Panel.

Supplement

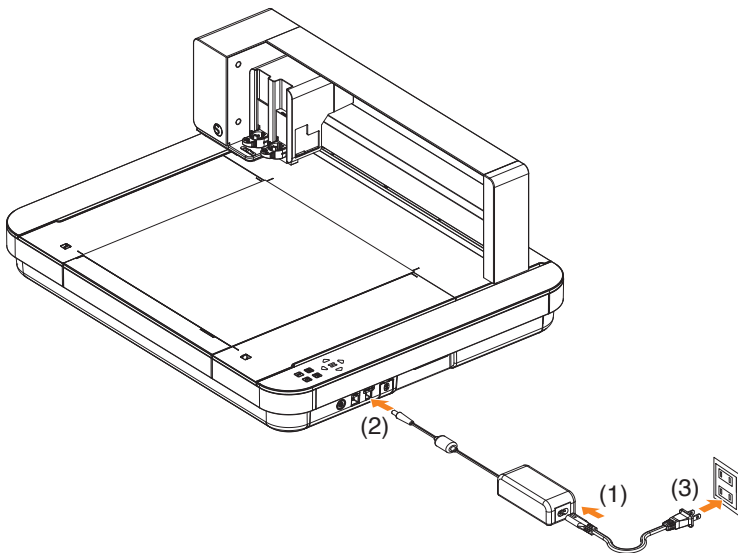
Wireless connection with Bluetooth may not be possible depending on the type of Bluetooth driver pre-installed on the computer. In this case, use a USB cable to connect.

Connect with a USB cable

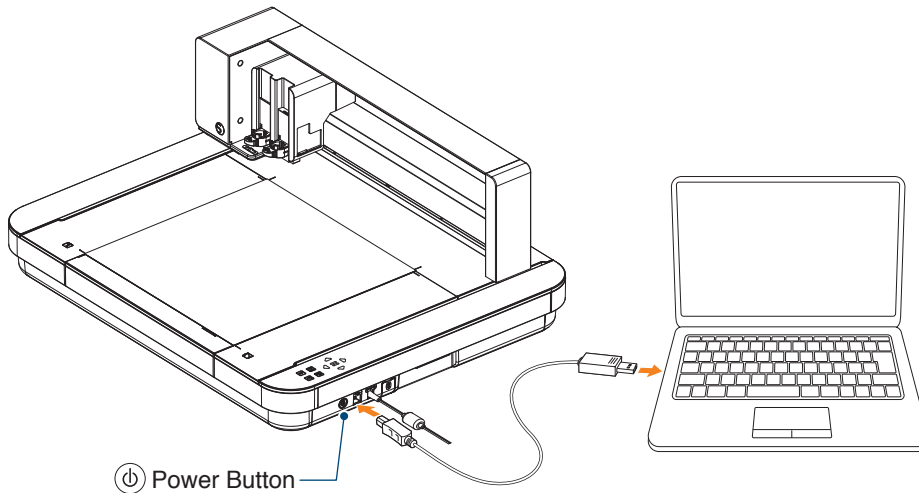
CAUTION

- Do not connect the Silhouette CURIO2 to the computer until the installation of the software (Silhouette Studio) is completed.
- Do not connect the USB cable before the power cable.
- Purchase a USB cable separately.

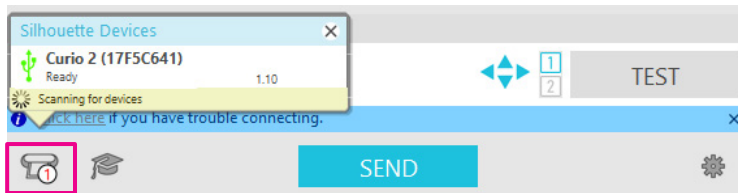
- Connect the Silhouette CURIO2 to a power source.
Connect the power cables in the order of numbers ((1) to (3)) shown in the figure below.



2. Connect between the computer and Silhouette CURIO2 with a USB cable.



3. Press the Power Button to start the Silhouette CURIO2.
Open the "SEND" tab of Silhouette Studio and click on the "Silhouette Devices" icon.



Select the "CURIO2" from the displayed device List and the software will start syncing.
The setup is completed when CURIO2 status is displayed as "Ready" or "Load Media" on the "SEND" Panel.

Chapter 2 *Create a design data*

This chapter describes how to create the design data in the Silhouette Studio.

PRODUCT SUMMARY

- 2.1 How to start the Silhouette Studio*
- 2.2 Enter text*
- 2.3 Drawing Simple Shapes*
- 2.4 LIBRARY*
- 2.5 Set Registration Marks*



2.1 How to start the Silhouette Studio

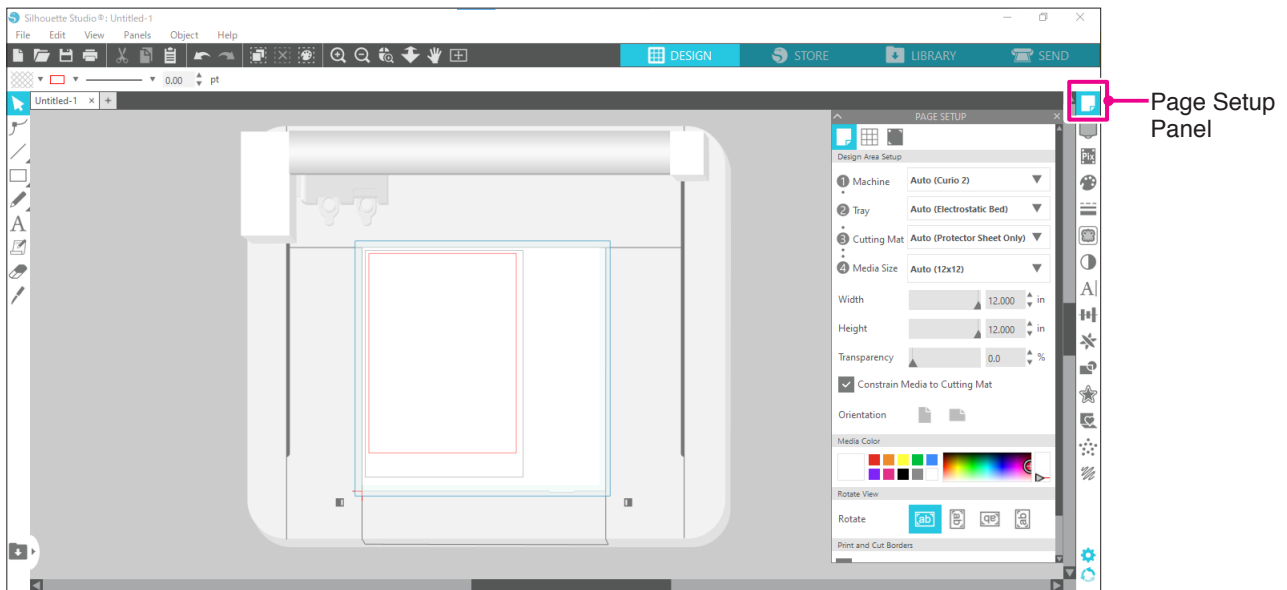
For Windows

- Start the Silhouette Studio by double-clicking on the icon on the desktop or from the Start menu.

For Mac

- Open the Applications folder and start the Silhouette Studio.

Once the Silhouette Studio is started, the Design page will appear.



Page Setup Panel



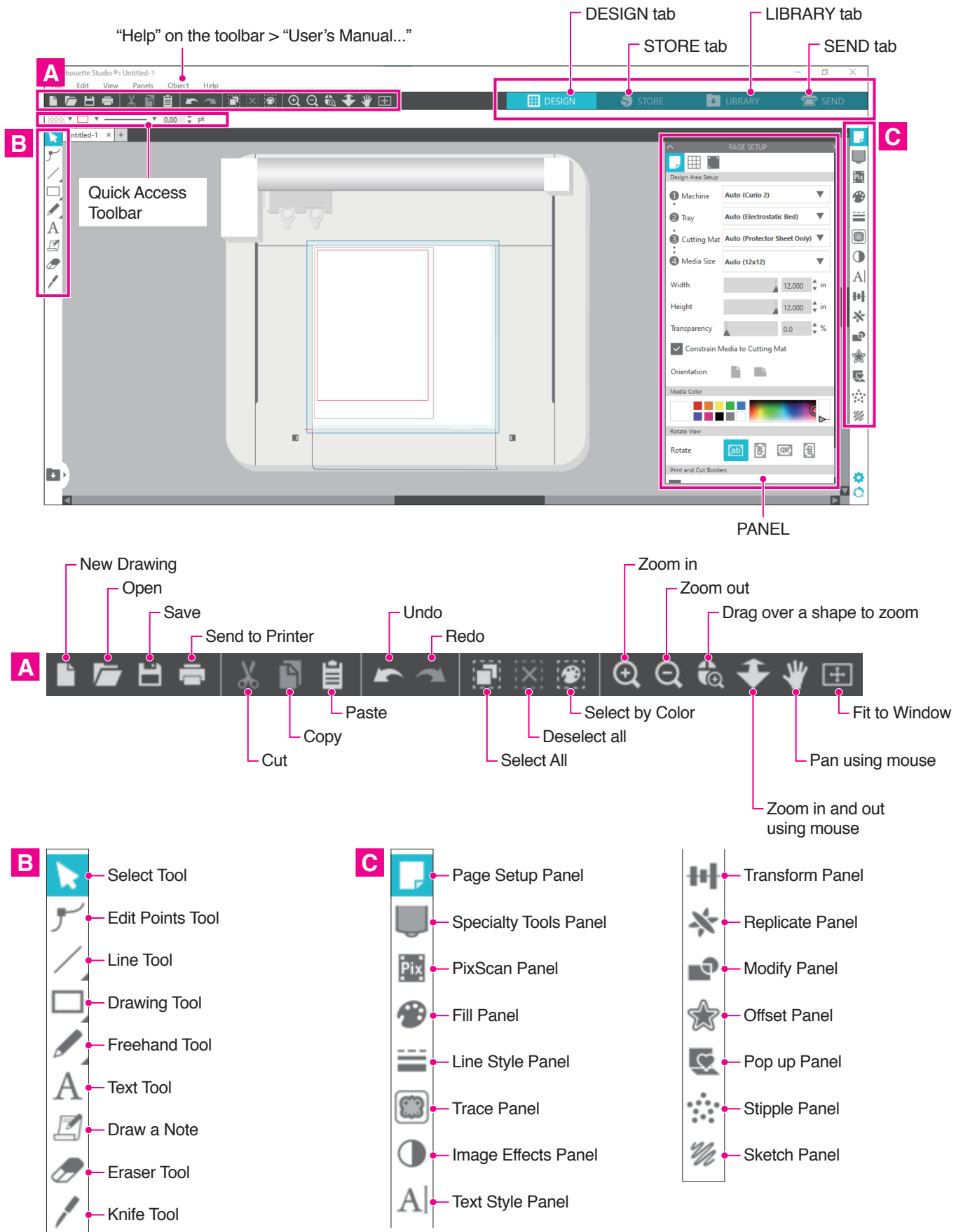
The PAGE SETUP Panel allows you to alter the page dimensions or orientation. Confirm the selection of "Cutting mat" and whether or not the check mark of "Constrain Media to Cutting Mat" is checked.

Supplement

The unit of length (inches/millimeters) can be changed in Preferences. Select the "Preferences" from the Edit menu, open the "General" tab, and change the Unit of Measurement.

Name of each button

For details on each function, refer to "Help" on the toolbar > "User's Manual...".



DESIGN tab



This is the workspace for creating designs.

You can return to the design page by clicking on the "DESIGN" tab while viewing the LIBRARY or SEND menu.

For details on each function of the design page, refer to "Help" on the toolbar > "User's Manual...".

STORE tab



Access the Silhouette Design Store from the STORE tab when connected to the Internet to browse and purchase contents such as designs and fonts.

LIBRARY tab



You can access the saved designs and contents downloaded from the Silhouette Design Store from the LIBRARY tab. In the library, you can add folders and subfolders to sort and organize the designs.

SEND tab



In the "SEND" tab, you can set the cutting conditions for the design and send the cutting data to Silhouette CURIO2.

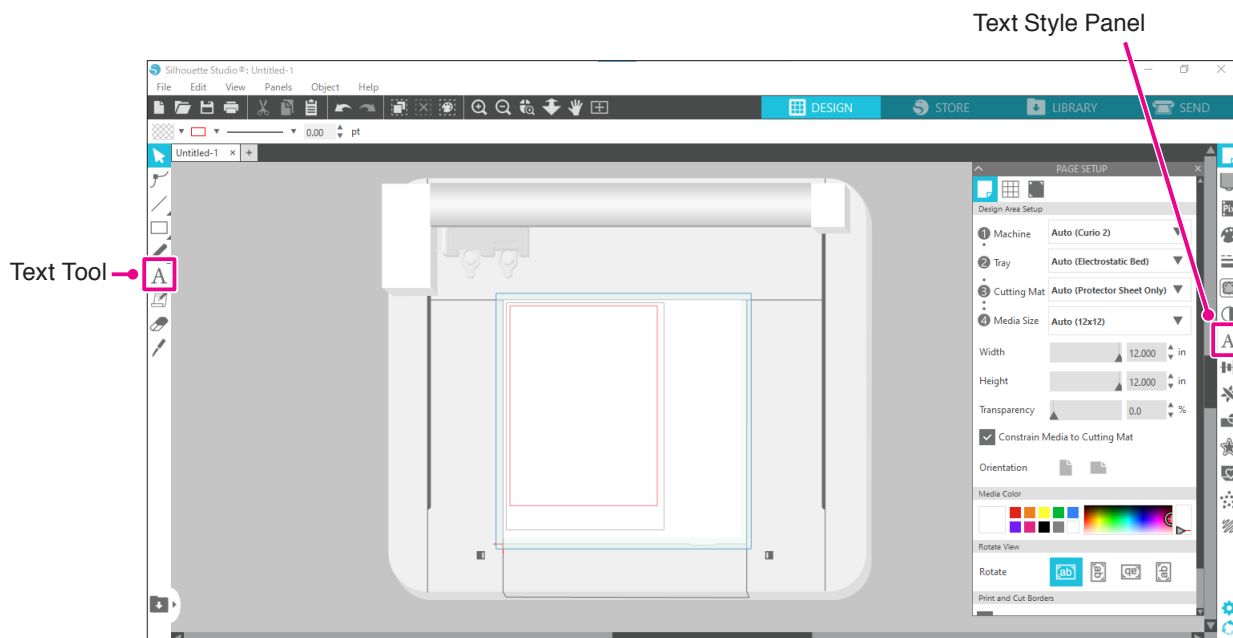
2.2 Enter text

Text Tool



In Silhouette Studio, you can use TTF (True Type font) or OTF (Open Type font) installed on your computer.

Click on the "Text Tool" Button on the toolbar on the left side of the screen.



When you click on the screen, the Text Tool appears on the workspace and you can enter directly on the screen. To change the font type, size, letter spacing, line spacing, etc., click on the icons in the Text Style Panel on the right side of the screen.

To exit text editing mode, click on anywhere outside the text in the workspace.

If you want to re-edit the created text, double-click on the text.

Move: To move the text around the page, click on and drag it to a new location.

Resize: To resize the text, select the text and then click on and drag one of the corner control handles.

Rotate: To rotate the text, select the text, and then click on and drag the green circle displayed above the object.



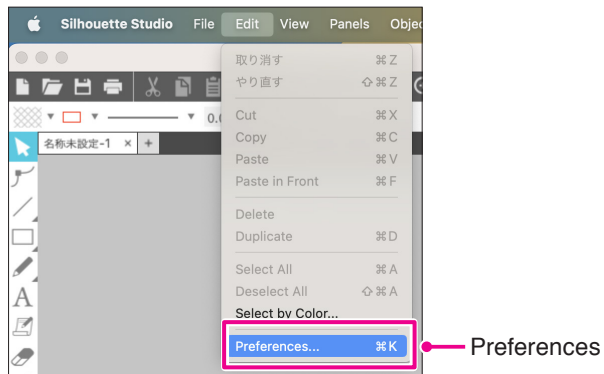
Some TTF (True Type font) or OTF (Open Type font) cannot be read or not suitable for cutting data in text styles.

If the English text do not show properly, enter the text after selecting the English font first.

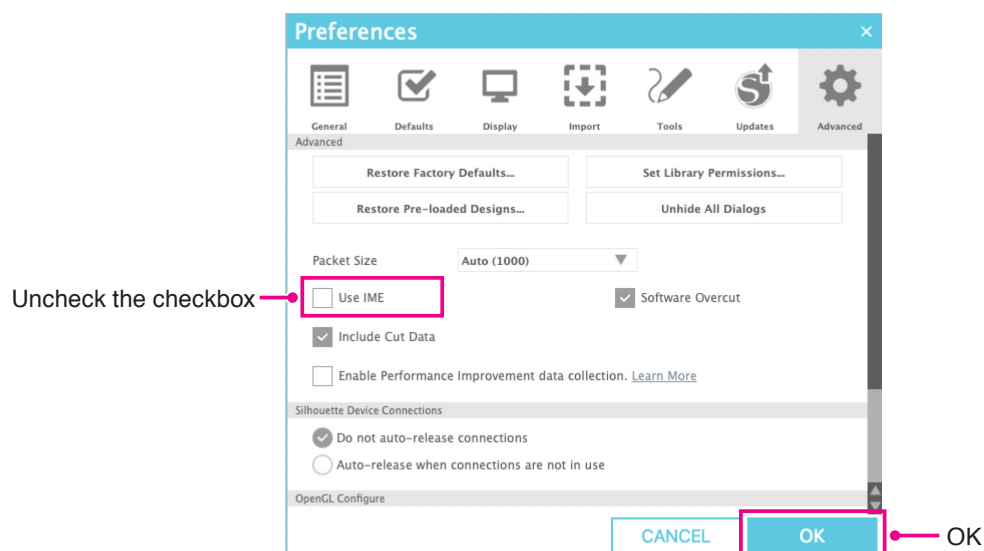
How to enter Japanese characters on Mac

It may be difficult to enter the Japanese characters on a Mac depending on the default settings being used. In this case, change the following settings in the Preferences.

1. From the Silhouette Studio menu, select the "Preferences".



2. Preferences window appears.
Uncheck the checkbox of "Use IME" from "Advanced" and click on the "OK" Button.

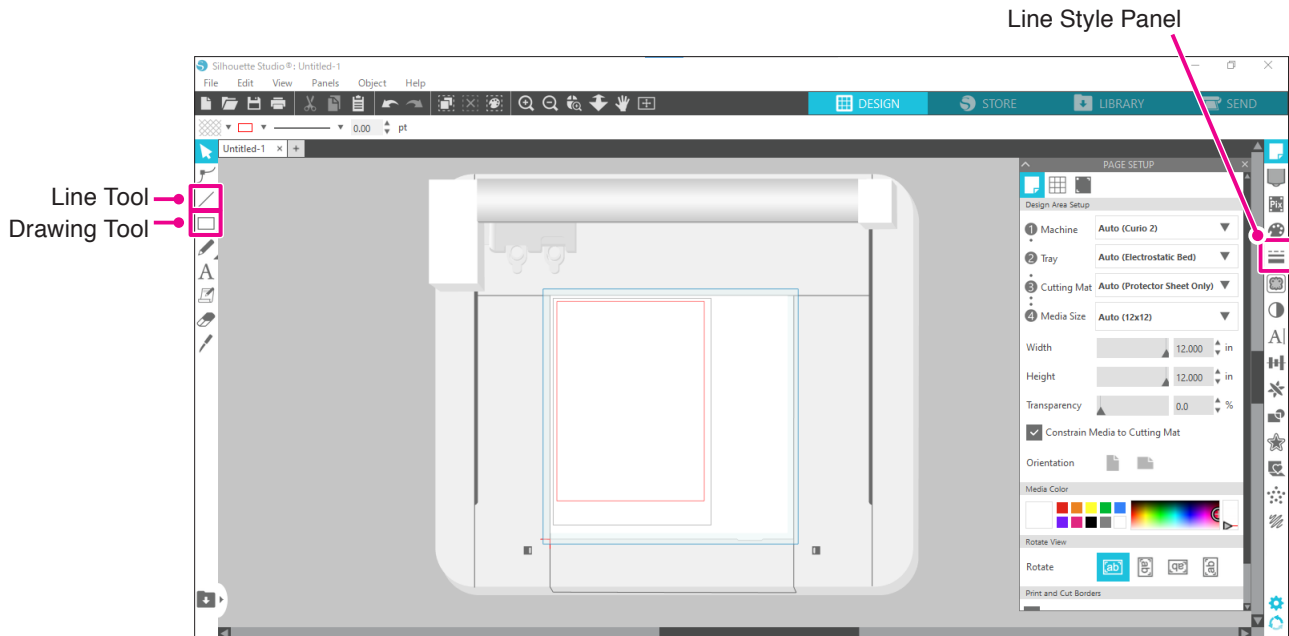


3. Restart the Silhouette Studio.

2.3 Drawing Simple Shapes

The toolbar along the left side of the software houses the tools needed to create (Lines, Ellipse, Rectangle, Polygon, Curve).

The tools are displayed in the toolbar on the left side of the screen.



Line Tool



You can draw lines on the workspace by using the Line Tool.

The Line Tool creates a single straight line. You can draw vertical, horizontal or 45° lines from the starting point by holding down the "Shift" key on the keyboard while drawing.

You can also select polygons, curved figures and arcs by hovering the mouse pointer over the Line Tool.

Drawing Tool



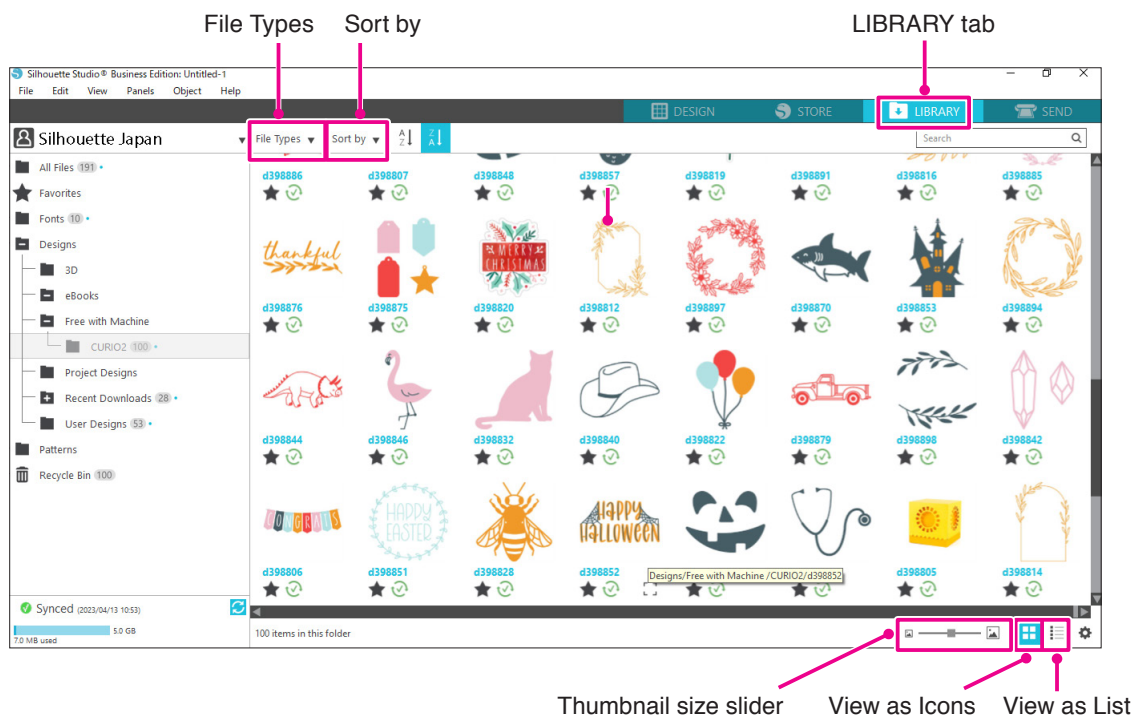
Hold down the "Shift" key while creating a rectangle to make a perfect square.

Press the "Alt" key to lock the starting point.

You can also select rectangles, ellipses, and regular polygons with rounded corners by hovering over the mouse pointer over the Rectangle Tool.

2.4 LIBRARY

In Silhouette Studio, you can use free designs that come with the machine or designs downloaded from the Design Store, in addition to cut designs that you have created yourself.



When you double-click on the design in the LIBRARY, the cut data is displayed in the design workspace. You may edit the design or make the change the size. You can also save your own designs to the Silhouette LIBRARY.

To save a design you have created to the LIBRARY, go to "File" > "Save As" > "Save to Library" and save.

Supplement

The 100 free designs supplied in the machine will not be displayed unless the machine is registered. For the machine registration procedure, refer to "1.5 Register the machine" above.

[File Types] You may sort the file type.

[Sort by] You can sort by modified date or cut type.



[View as Icons]

Click on the "View as Icons" Button to display as an icon.



[View as List]

Click on the "View as List" Button to display in detail.



[Thumbnail size slider]

You can change the size of the thumbnails displayed in the LIBRARY with the slider.

Silhouette Cloud

If you are using the Silhouette Studio 4 or higher, you can sync your personally created or purchased elsewhere designs (up to 1GB) to Silhouette's servers, allowing you to access your personal files from multiple devices.

All synchronized designs in the LIBRARY can be saved not only on the server but also on the computer.

This library function is a sync service, not a backup service.

For this reason, we strongly recommend that you store files saved in the LIBRARY on an external drive on the computer or a third-party backup service.

2.5 Set Registration Marks

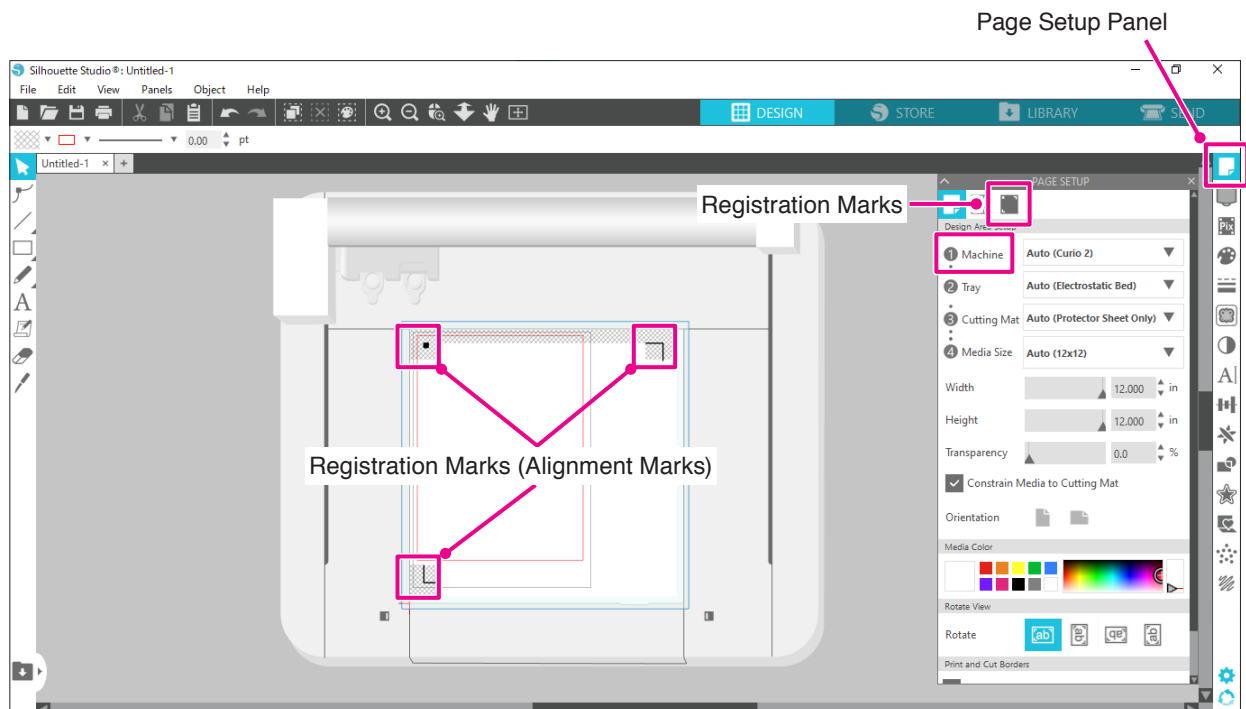
If you want to cut according to the position of the printed image, use the Registration Marks (Alignment Marks). If you open the "Registration Marks" tab in the Page Settings Panel and set Registration Marks to ON, Registration Marks will appear in the workspace.

You can change the length, thickness, and position of the Registration Marks according to the size and position of the design.

When the cutting data is sent to the Silhouette CURIO2, the sensor automatically reads the position of the Registration Marks and cuts according to the position of the printed design.

CAUTION

- Do not place your design in the shaded area. It may cause register mark scanning errors.
- If the Registration Marks is too small, the scanning may fail.
- Arrange the Registration Marks and then print with the printer.
- Do not change Registration Marks or designs after printing. The cutting position will shift.



Chapter 3 *Cut using design data*

This chapter describes how to cut using the design data from the media set.

PRODUCT SUMMARY

- 3.1 *Load a media*
- 3.2 *Set the tool*
- 3.3 *Set Cutting Conditions*
- 3.4 *Perform the cut*

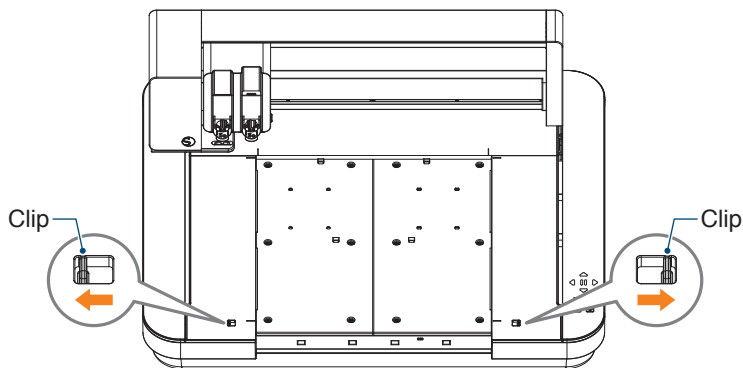
3.1 Load a media

The media fixing method differs depending on the media and tools used.

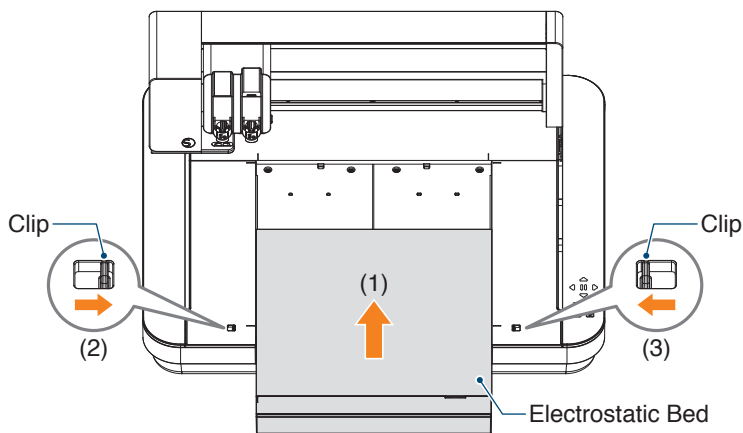
Supplement

- Some media cannot be fixed depending on the material. In that case, fix it using the attached masking tape.
- If air enters between the Electrostatic Bed and the media when loading the media, remove the air before cutting and fix the media securely.

1. Set the Electrostatic Bed on the CURIO2.
First, slide the clip outwards.

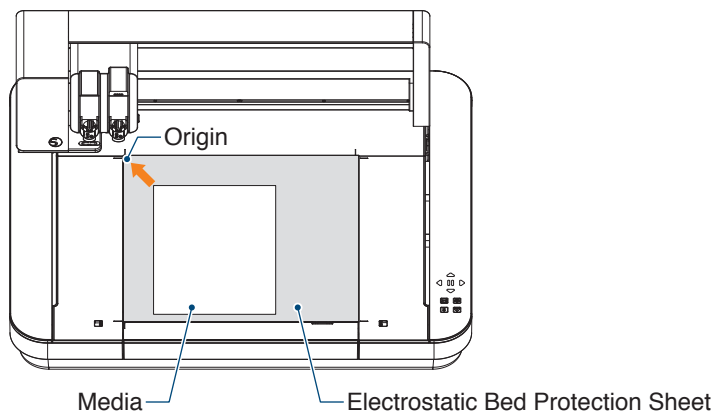


Slide the Electrostatic Bed all the way in and lock it after pushing the clip inward.

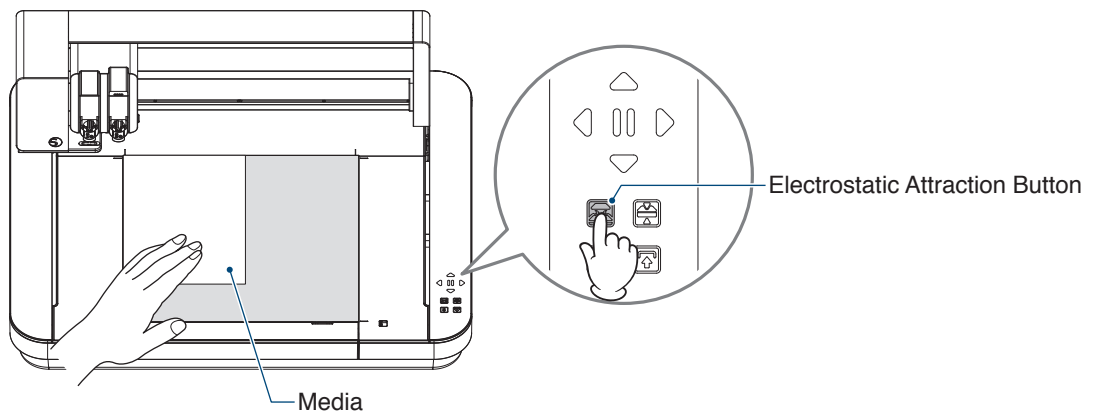


2. Spread the Electrostatic Bed Protection Sheet on the Electrostatic Bed and place the media.

* Load the media by aligning it with the upper left corner (origin).



3. Lightly fasten the media and press the Electrostatic Attraction Button. The media is fixed by electrostatic adsorption.

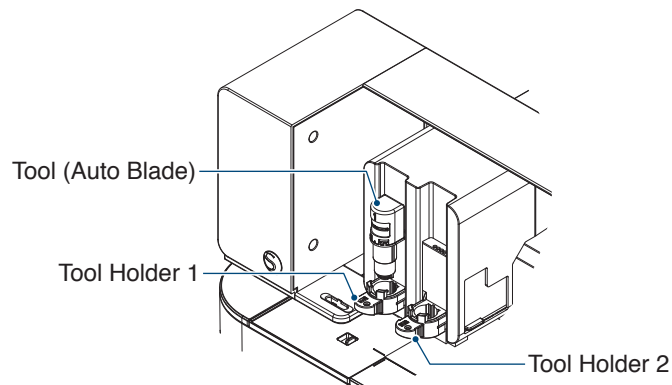


4. Make sure that the Electrostatic Attraction Button (white) lights up and the electrostatic adsorption is working before using.

3.2 Set the tool

CAUTION To avoid bodily injury, handle cutter blades with care.

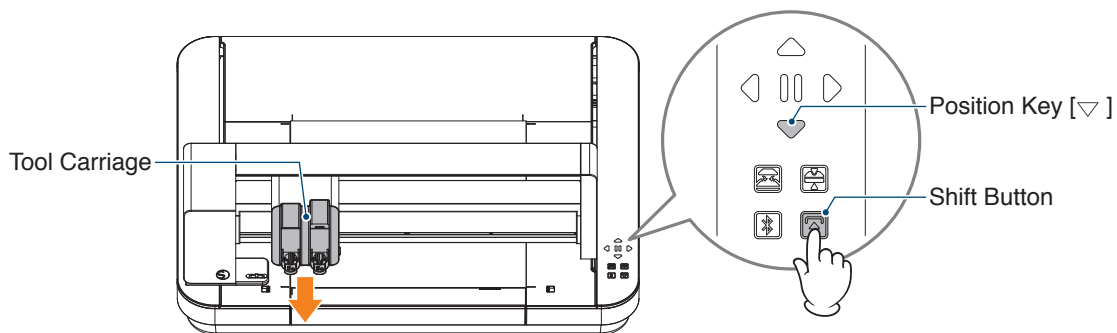
The Silhouette CURI02 allows two tools to be set on the Tool Carriage at the same time.



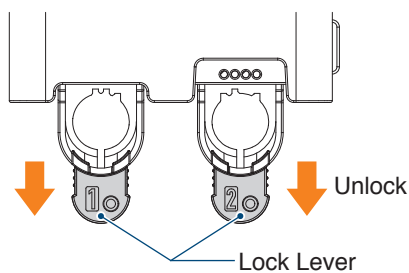
Supplement

- The supplied Auto Blade can only be set in Tool Holder 1 (left side).
- The Tool Holder for setting other cutters and tools is already decided. Check the number attached to the tool or tool adapter before setting it in the Tool Holder.

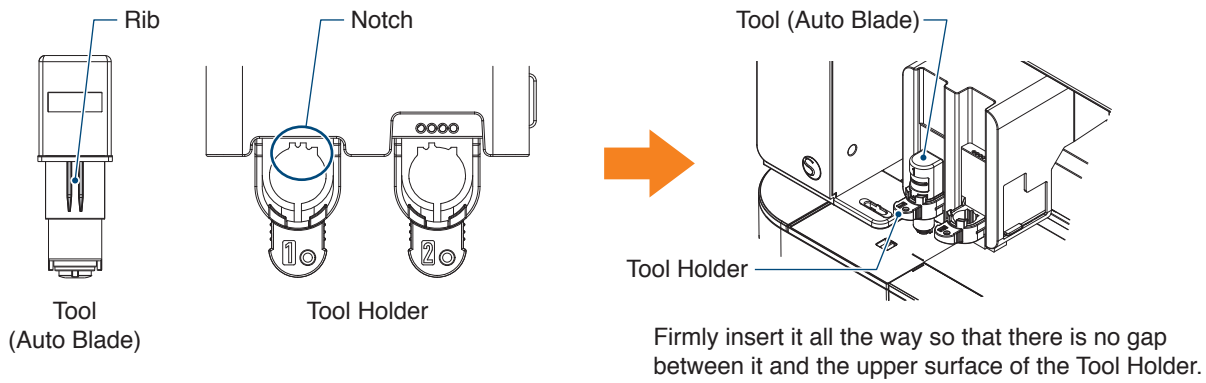
1. After pressing the "Shift" Button, press the Position Key [▽] to move the Tool Carriage to the tool set position (toward you).



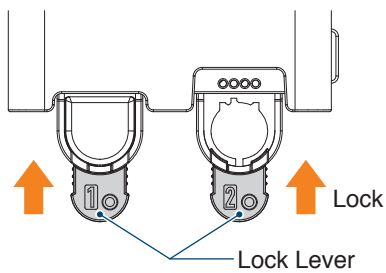
2. Slowly pull the lock lever of the Tool Holder toward you to unlock it.



3. Align the rib of the tool (Auto Blade) with the notch of the Tool Holder and insert it firmly.



4. Lock by returning the lock lever.



Supplement

Insert the tool all the way and then lock it.
If it is not inserted all the way, the media will not be cut properly.

5. When setting the tool, the Silhouette CURIO2 recognizes the tool and automatically displays the tool in the "SEND" tab of Silhouette Studio.

Tool (optional item)

If you purchase the following tools other than the supplied Auto Blade, you can process with various media.

Tool	Model number	Usage
Craft Blade	SILH-BLADE-KRAFT-2	Cutting thick media such as cardboard and synthetic leather
Rotary Blade	SILH-BLADE-ROTARY	Cutting cloth and felt, etc.
Punching Tool	SILH-PUNCH-TOOL	Tool capable of punching small holes in vinyl

* Various tools are supplies.

* Punching Tool require the emboss mat for the cutting.

CURIO2 dedicated tools (optional item)

If you purchase the following CURIO2 dedicated tools, you can perform foil stamping and embossing. For details, refer to the separate "Supplies Manual".

Supplement

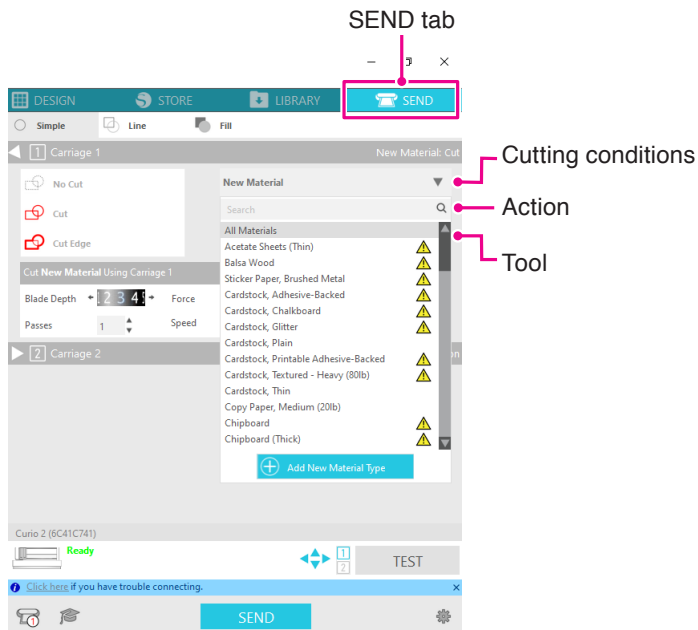
- The supplied Auto Blade can only be set in Tool Holder 1 (left side).
- The Tool Holder for setting other blades and tools is already decided.
Check the number attached to the tool or tool adapter before setting it in the Tool Holder.

3.3 Set Cutting Conditions

1. Click on the "SEND" tab on the top right of the Silhouette Studio screen.

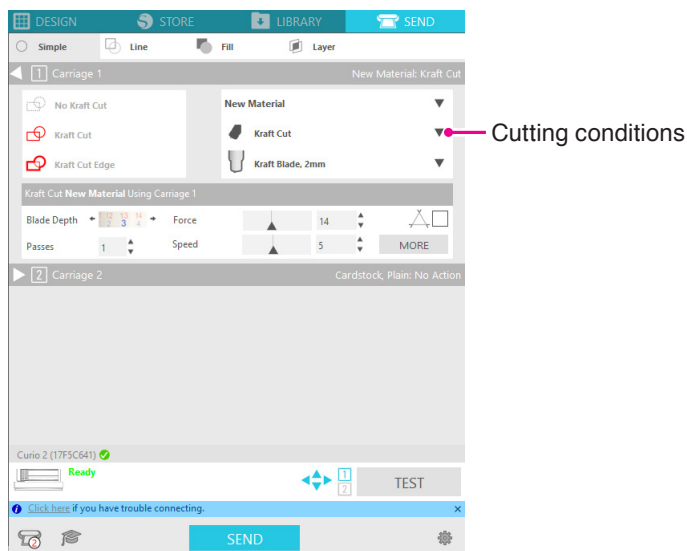


2. The "Cut Setting Panel" is displayed.
3. Select the media to use from the pull-down list of cutting conditions.



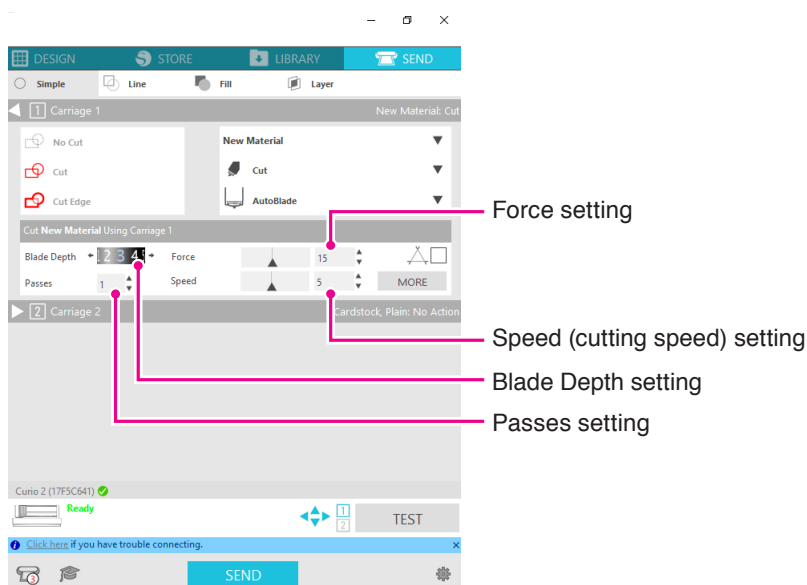
Once you select a media from the list, the optimal cutting conditions for that media are automatically applied.

When using materials other than Silhouette media, click on the "Add New Material Type" and manually set the cutting conditions.



For media not displayed in the list, the new media is added by clicking on the "+" Button in the lower right.

4. Specify an action such as "Cut" or "Sketch" from the Action pull-down list.
5. Specify the tool to use in the Tool pull-down list.
6. If you want to manually set the cutting conditions, set Blade Depth, Speed, Force and Passes. First, set the Speed to slow and the Force to low, and if it is not enough, gradually increase the setting."



Blade Depth: Automatically protrudes the blade by the amount specified at the time of cutting. (Auto Blade only)

Set so that the blade protrudes slightly more than the media to be cut.

Speed: Sets the cutting speed.

Reduce the Speed when cutting fine or complex designs or thick media.

Force: Set according to the thickness of the media to be cut.

Passes: Set the number of times to cut the design.

Increase the number of passes when cutting thick or hard media.

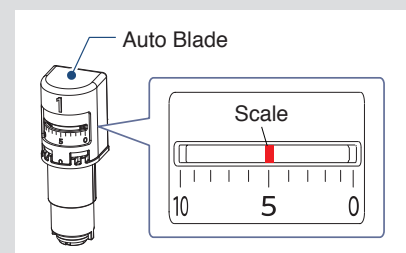
Supplement

Blade Depth as a guideline

Blade Depth scale	Material Types
1	Thin materials, thin paper / films and smooth iron-print materials
2 to 3	Medium thick paper such as Kent paper, thick film, flock iron-print materials
4 to 6	Thick paper such as scrapbooking materials
7 to 10	Thick paper such as cardboard

Auto Blade scale

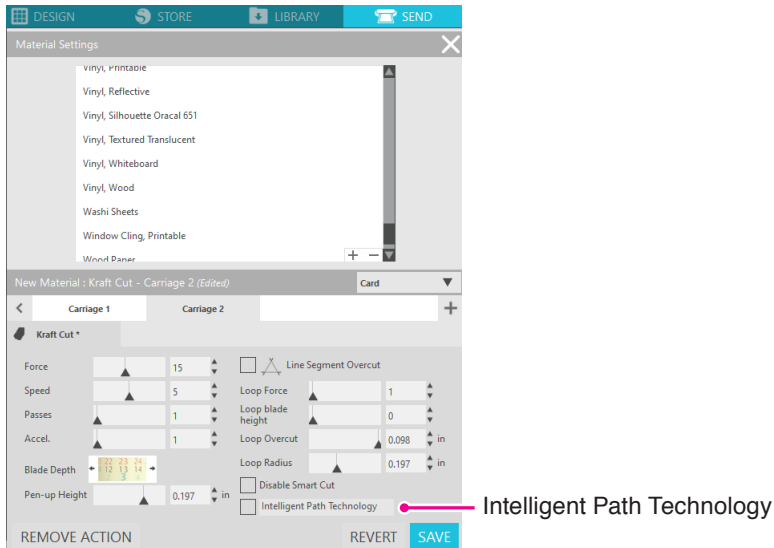
- Check the Auto Blade scale for the actual Blade Depth.
- Check the Blade Depth scale from the front. Since the display surface is curved, it may not be possible to check the correct value if viewed from an angle.



7. If you want to set advanced cutting conditions manually, set in the "MORE".

Intelligent Path Technology

If you check on the checkbox of this function, you can cut using a dedicated cutting procedure, so you can cut with high Force without misalignment of the media.



Test cut

1. After setting the cutting conditions, click on the "TEST" Button.
Square and triangle test patterns are cut.



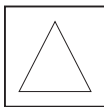
Supplement

Press the "TEST" Button to start the test cut at the tool position.
If you want to change the position for the test cut, press and hold the "Position" Key to change the position of the carriage.

2. After the test cut is completed, peel off the outer square and check that the cut is clean without any uncut parts.
Then peel off the inner triangle.
It is best to leave a thin mark of the cutter on the cutting mat or release paper.

OK

There are faint traces
of the blade on the cutting mat.



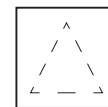
NG

There is no trace of the
blade on the cutting mat.



NG

The marks of the
blade are scattered.



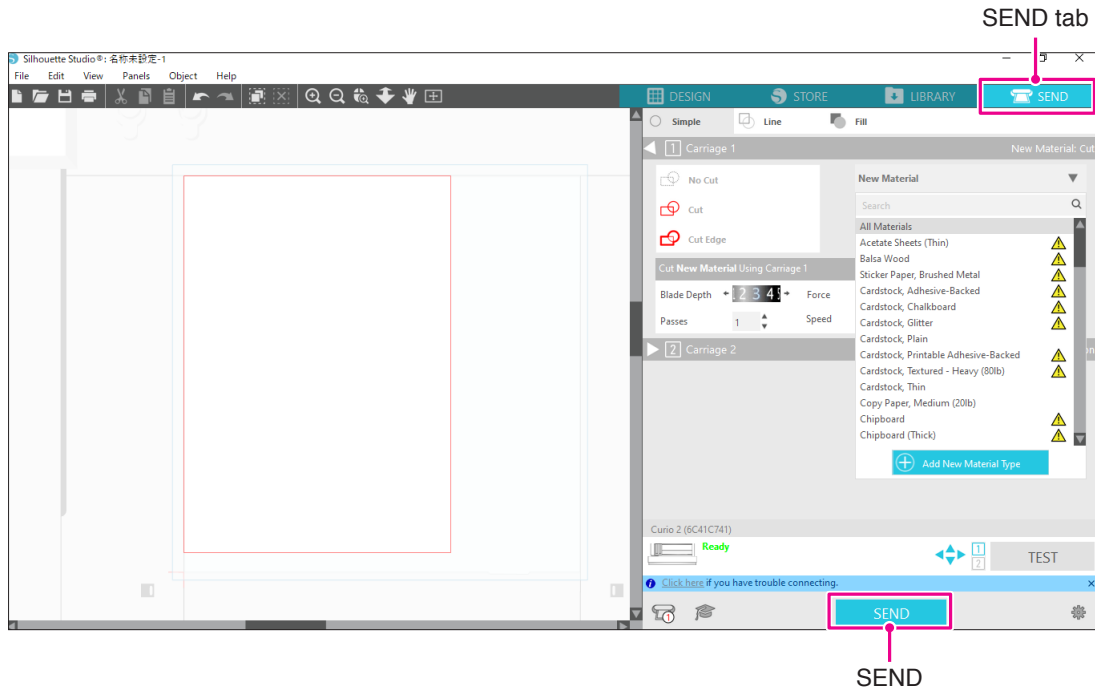
3. Change the cutting conditions if there is an uncut part or if the release paper is cut out through.
After changing the cutting conditions, you have to perform test cut again to check.
Repeat condition setting and test cut until you find the optimal cutting conditions for the media you want to use.

3.4 Perform the cut

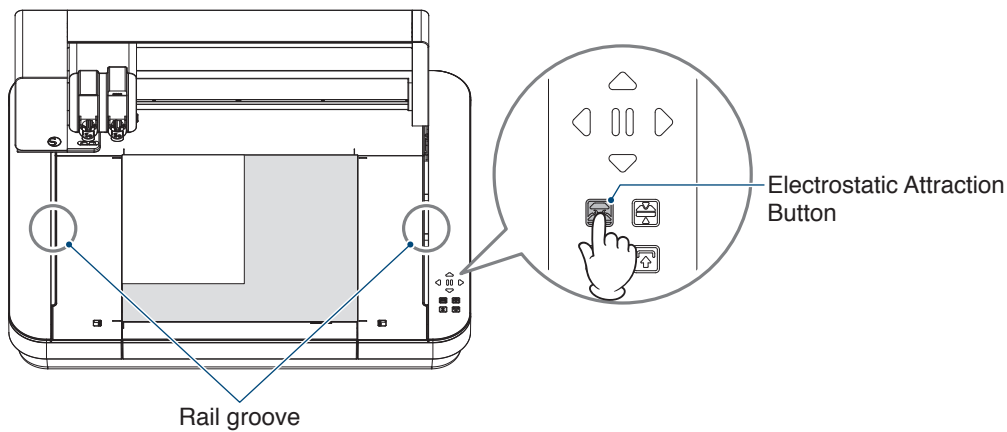
1. Click on the "SEND" tab on the top right of the Silhouette Studio screen.



2. The "SEND" Panel will appear.



3. Click on the "SEND" Button.
4. When the cutting operation is finished, touch the Electrostatic Attraction Button on Silhouette CURIO2 and remove the media.



Supplement

- The Y bar moves back and forth during cutting / plotting. Be careful not to place any objects around the Silhouette CURIO2. Cutting or plotting may be misaligned.
- Be careful not to drop cutting scraps into the rail groove when removing the media.



Chapter 4 Maintenance

This chapter describes the maintenance of the Silhouette CURIO2.

PRODUCT SUMMARY

4.1 Daily Maintenance

4.2 Clean the Auto Blade

4.1 Daily Maintenance

Daily Maintenance and Storage

Pay attention to the followings for daily care.

- (1) Regularly wipe the machine and the Electrostatic Bed lightly with a dry soft cloth.
Do not use thinner, benzine, alcohol, etc., as they may damage the surface."
- (2) Be careful not to damage the surface of the Electrostatic Bed.
- (3) The Electrostatic Bed Protection Sheet is a consumable item. Please replace it regularly.

Please pay attention to the followings for storing when not in use.

- (1) Remove the tool from the Tool Holder when storing it.
- (2) To prevent dust, cover the machine with a cloth or cove.
- (3) Do not store in direct sunlight or in places with high temperature and humidity.
- (4) When not using the Electrostatic Bed Protection Sheet, store it in the bag it was in when you purchased it.
- (5) Store the Electrostatic Bed Protection Sheet without folding it.

4.2 Clean the Auto Blade

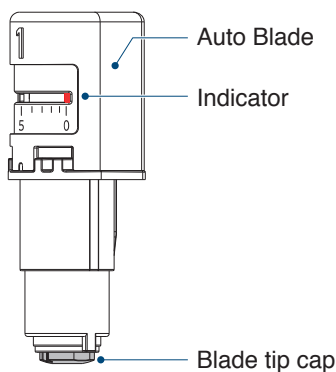
If paper dust or media chips adhere to the tip of the blade, the rotation of the cutter blade will be slowed down, resulting in poor cut quality.

Clean the Auto Blade regularly to remove paper dust and media chips.

CAUTION

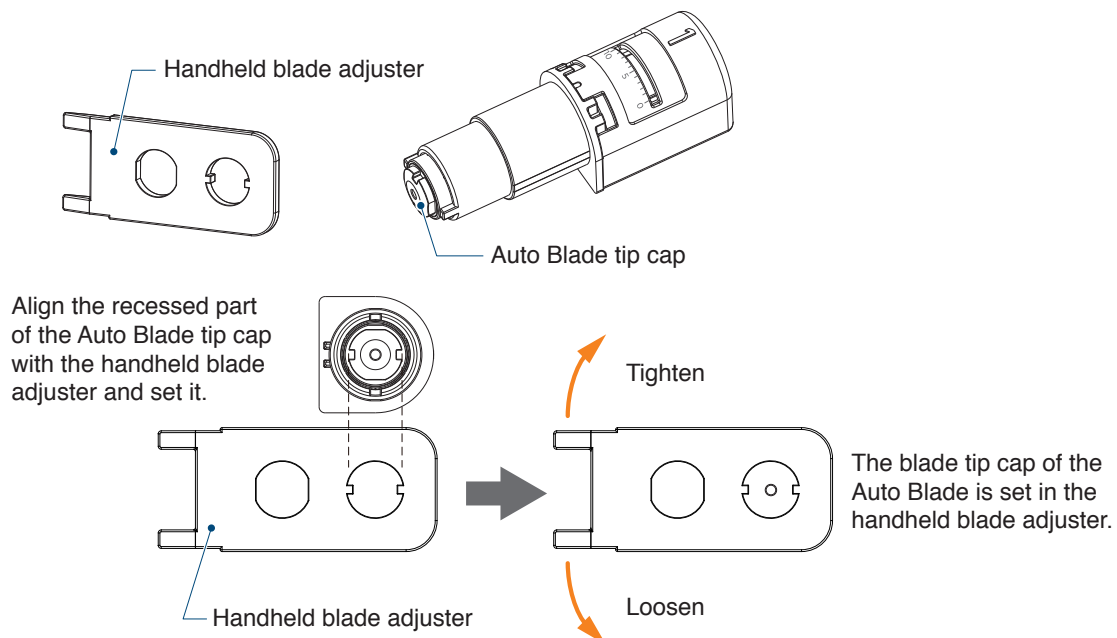
- Be careful not to cut your hands when handling the cutter blade.
- Clean the blade tip with air or a soft material. If a hard material hits the blade tip, it may cause the blade to chip or break.

1. It is dangerous if the cutter blade sticks out, so align the red indicator on the Auto Blade to the "0" position so that the blade does not protrude.

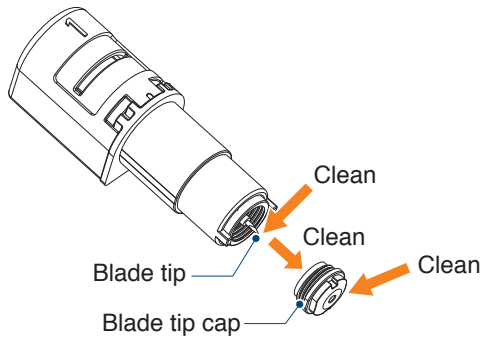


2. Align the recessed part of the Auto Blade tip cap with the protruding part of the handheld blade adjuster and fit it.

Turn the handheld blade adjuster counterclockwise to loosen and remove the blade tip cap.



3. Clean the blade tip and the blade tip cap.



CAUTION

If the blade tip cap is loose, the cutting quality may deteriorate, or the blade may not protrude and cut may not be possible. Make sure that the blade tip cap is firmly tightened before using.



Chapter 5 Troubleshooting

This chapter describes what to do if problems occur with the Silhouette CURIO2.

PRODUCT SUMMARY

5.1 Cutting is not performed properly

5.2 Firmware Update

5.1 Cutting is not performed properly

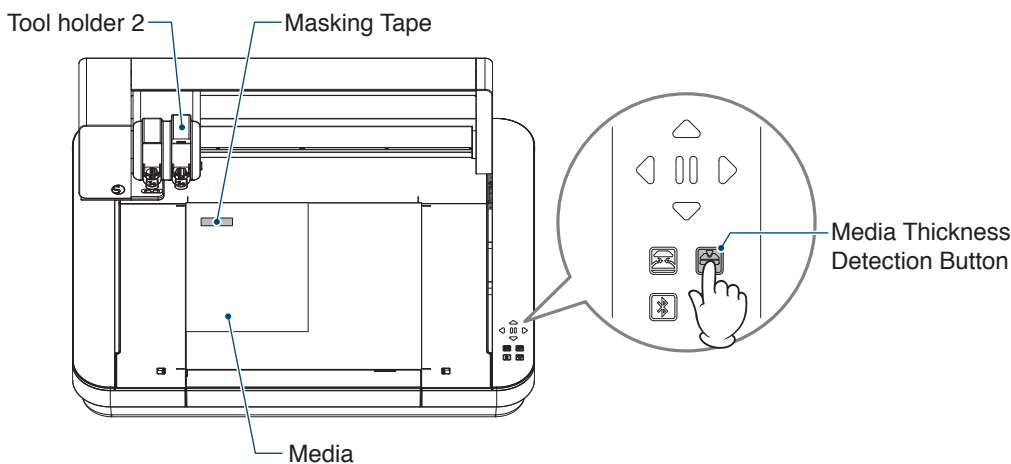
If media such as paper or film peels off during cutting, or if cutting does not go well, check the following causes and solutions.

Cutting cannot be made at the correct depth

Is the media thickness detected correctly?

- Depending on the type of media (gold paper and silver paper, etc.), the thickness may not be detected correctly. In that case, stick the masking tape on a position that does not affect the plotting of the media. Manually move the Tool Carriage and read the thickness at the masking tape position by using the "Media Thickness Detection" Button.

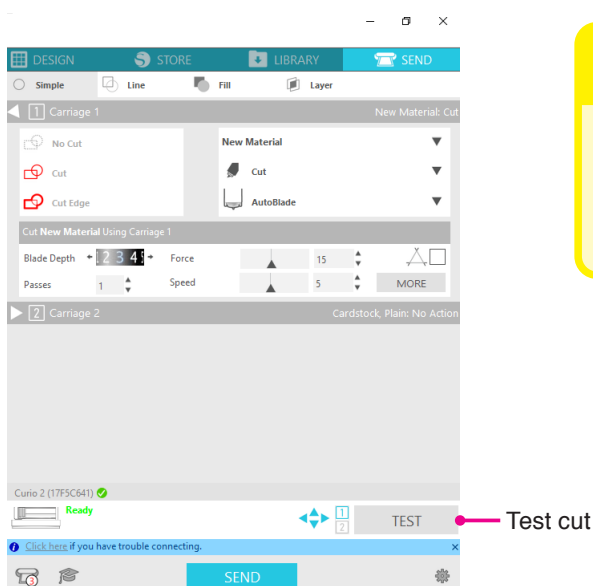
* The sensor is mounted on the lower side of Tool Holder 2.



Cut too much

Is the blade sticking out too much or is the cutting pressure too high?

- Set the Blade Depth and Force to a smaller value in Silhouette Studio, and then perform a test cut.



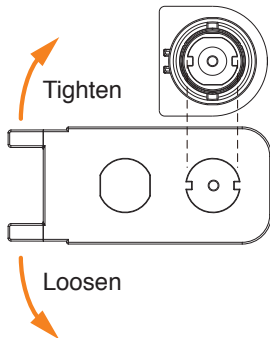
CAUTION

When using a ratchet blade, you have to manually change the Blade Depth. In that case, do not turn the Blade Adjusting Cap to the left of the scale number 0 or to the right of 10. The ratchet blade may be damaged.

The machine used to be able to cut, but now it can't

Is the blade tip cap of the Auto Blade loose?

- If the blade tip cap of the Auto Blade is loose, use the handheld blade adjuster to retighten it.



⚠ CAUTION

To avoid bodily injury, handle cutter blades with care.

Is the cutter blade worn or is the cutting tip broken?

- When the cutter blade wears out, the media that could be cut until now may suddenly no longer be cut. As a guideline, the service life is about 4 km for vinyl chloride media (cutting film), and about 2 km for paper media such as drawing paper, postcards, and Kent paper.

The media cannot be cut, and only marks of the blade are left

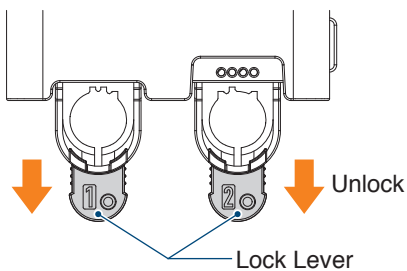
Are the tools set correctly?

- Make sure that the tools are firmly set all the way into the Tool Holder.

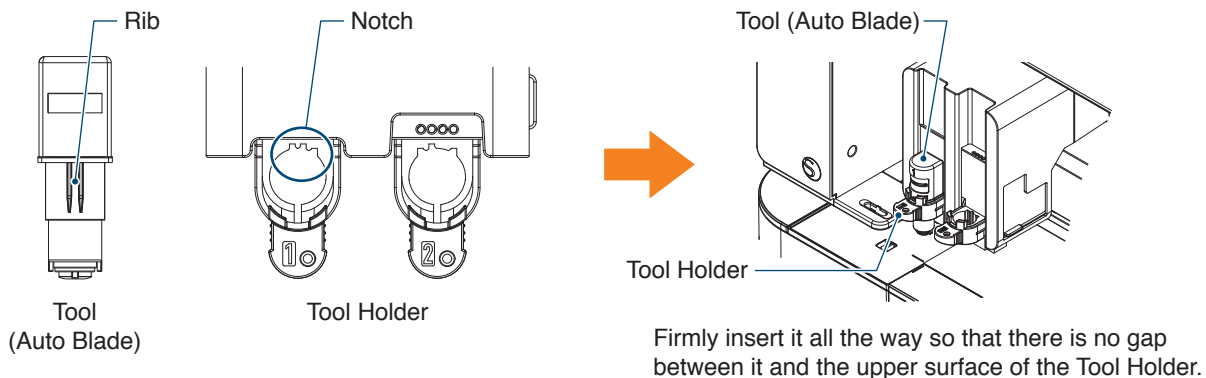
Supplement

- The supplied Auto Blade can only be set in Tool Holder 1 (left side).
- Tool Holder that can set other blades and tools is also decided. Check the number attached to the tool or tool adapter before setting it in the Tool Holder.

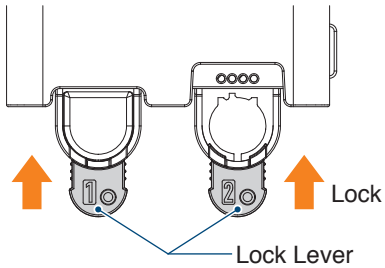
Slowly pull the lock lever of the Tool Holder toward you to unlock it.



Align the rib of the tool (Auto Blade) with the notch of the Tool Holder and insert it firmly.

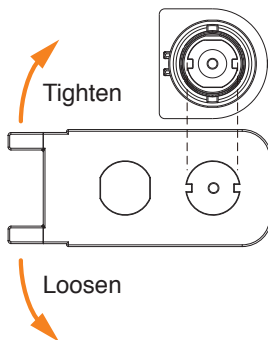


Lock the lock lever back.



Is the blade tip cap of the Auto Blade loose?

- If the blade tip cap of the Auto Blade is loose, use the handheld blade adjuster to retighten it.



⚠ CAUTION

To avoid bodily injury, handle cutter blades with care.

Is the cutter blade worn or is the cutting tip broken?

- Replace with a new Auto Blade.
- When the cutter blade wears out, the media that could be cut until now may suddenly no longer be cut. As a guideline, the service life is about 4 km for vinyl chloride media (cutting film), and about 2 km for paper media such as drawing paper, postcards, and Kent paper.

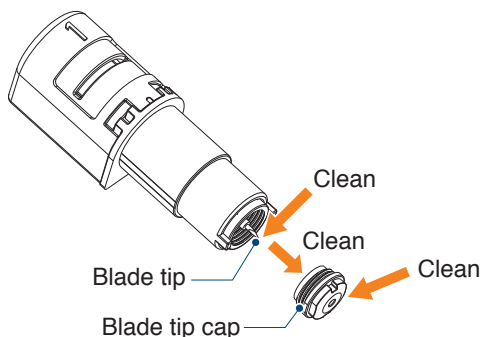
Is the Blade Depth too small or is the Force set too low?

- Gradually increase the Blade Depth and Force in Silhouette Studio and perform a test cut.

The start and end of the cutting operation are misaligned

Is the inside of the Auto Blade dirty?

- Remove the blade tip cap of the Auto Blade and clean it.



⚠ CAUTION

Be careful not to cut your hands when cleaning the inside of the Auto Blade.

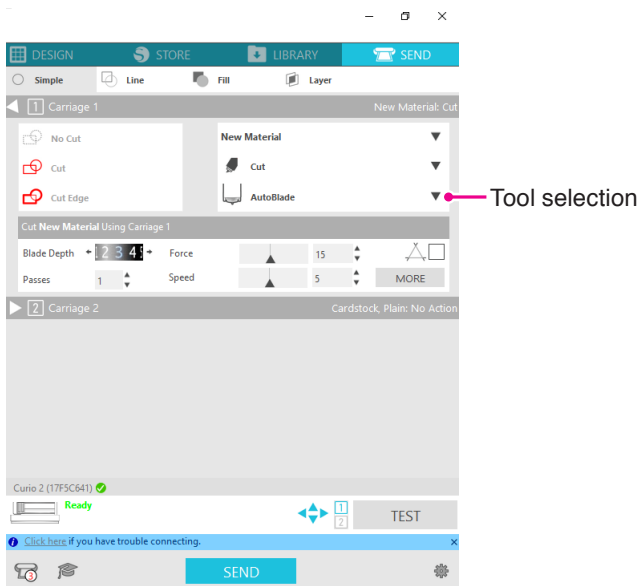
For details, see "4.2 Clean the Auto Blade" above.

Is the set media floating or bent?

- Set the media again so that the center of the media does not float or warp.

Aren't you selecting a pen when using a cutter, or a cutter when using a pen?

- Select the correct tool in Silhouette Studio.

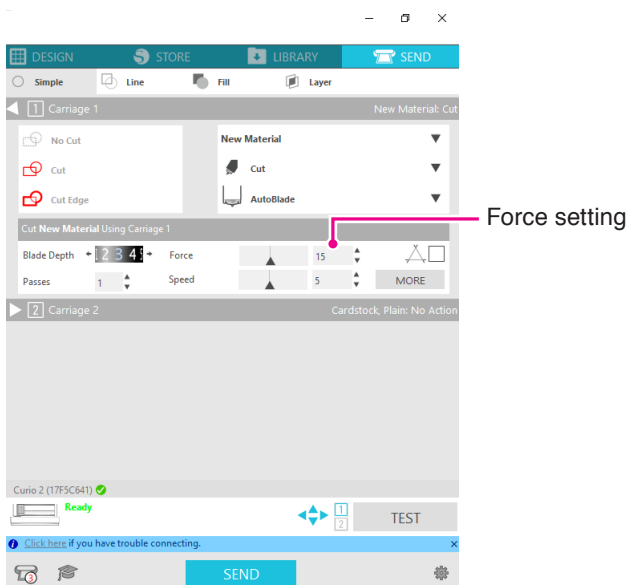


Is the cutter blade sticking out too much or is the Force too high?

- In Silhouette Studio, set the Blade Depth and Force to a smaller value and perform a test cut.

Is the Force set too low?

- If the Force is set to 3 or less in Silhouette Studio, set it to 4 or more.

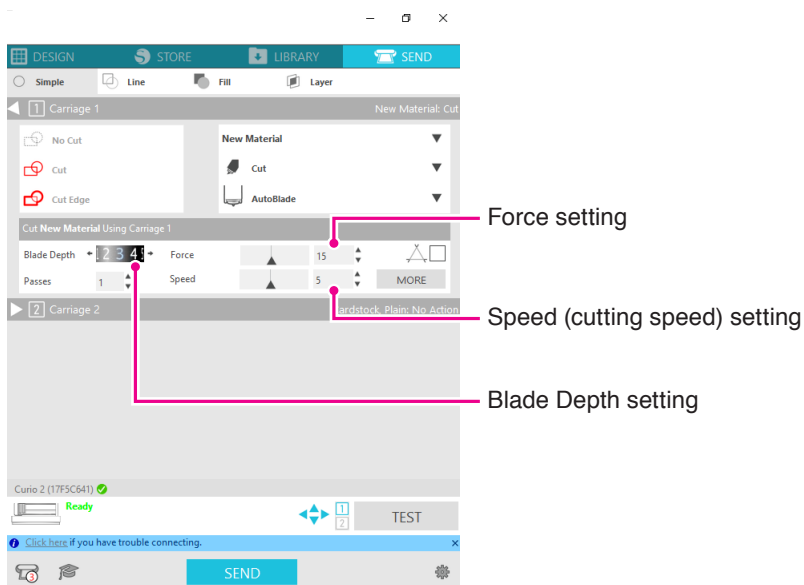


The film peels off during cutting

Is the cutter blade sticking out too much or is the Force too high?

Is the Speed (cutting speed) too fast?

- Set the Blade Depth, Force, and Speed to smaller values in Silhouette Studio and perform a test cut.



Are the width of characters or figures to be cut too thin or too small?

- Use a bold typeface or make the figure larger.

The approximate size of characters that can be cut with the Silhouette CURIO2 is about 10 mm square for alphanumeric characters and about 15 mm square for MS Gothic double-byte characters when using a cutting film with tension on the material such as vinyl chloride.

The approximate size of the shape that can be cut is about 5 mm in diameter.



Depending on the media to be cut, it may not be cut well even if it is larger than this size. Please be aware of this.

5.2 Firmware Update

"Firmware" is a program to operate CURIO2.

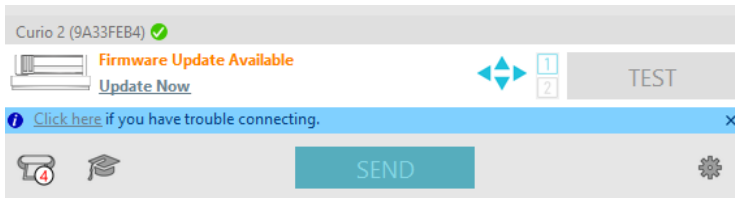
Firmware update requires the Silhouette Studio.

If you see a firmware update available message in "SEND" Panel of Silhouette Studio, follow the steps below to update.

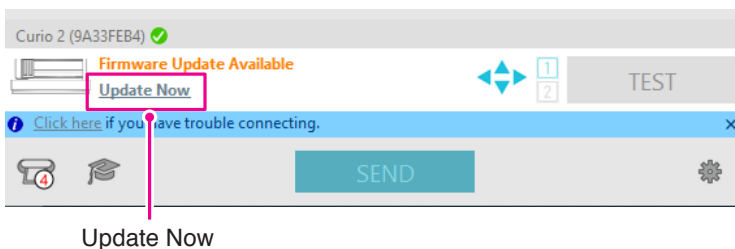
CAUTION

- Do not disconnect between Silhouette CURIO2 and the computer while updating the firmware. If you turn off the power during the update and fail to update the firmware while writing to the flash ROM, Silhouette CURIO2 may not start.
- It may take some time to update the firmware via Bluetooth.

1. Connect the Silhouette CURIO2 to the computer with a Bluetooth or USB cable.
2. Start the Silhouette Studio and open the "SEND" tab.
If there is the latest version of firmware that can be updated, the following message will be displayed.

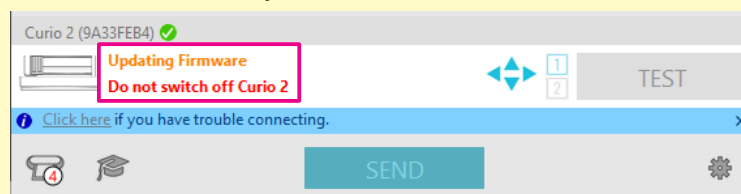


3. Click on the "Update Now" to start updating the firmware.

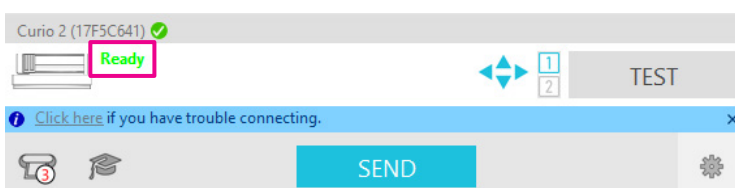


CAUTION

Do not power off or disconnect the Silhouette CURIO2 until the firmware update is completed and the status shows "Ready" or "Load Media".



4. When the firmware update is completed, the Silhouette CURIO2 will automatically reboot.
5. When the Silhouette CURIO2 status changes in Silhouette Studio to "Ready" or "Load Media", you are finished., you are done.



When in trouble

Please visit our website for information on how to operate this machine and what to do if you have a problem.

<https://www.silhouetteamerica.com/>

Specifications are subject to change without notice.

Silhouette CURIO2 User's Manual

CURIO2-UM-151

July 3, 2023 1st edition-01

Silhouette Japan Corporation



silhouette