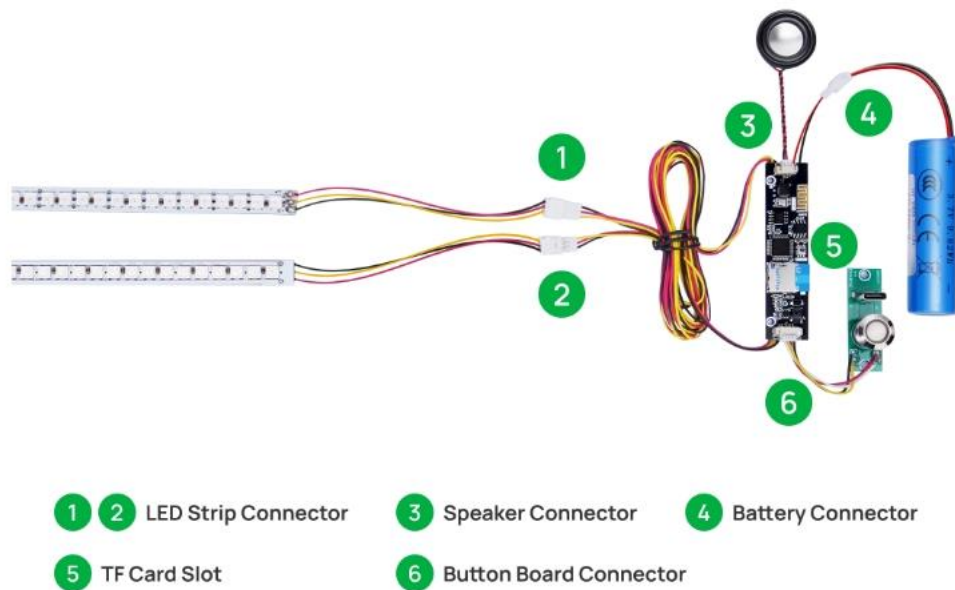
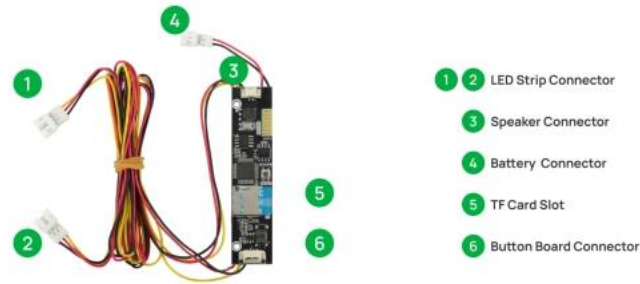


## Installation Instructions

1. Charge fully before powering on and ensure the TF card is properly inserted.

2. Connect the modules as shown in the diagram below.



3. Perform a function test on the internal structure module: After connecting the two LED strips, turn on the power and check whether the lighting and sound effects are working properly. If the power doesn't turn on, charge the internal structure module first and then retest.

