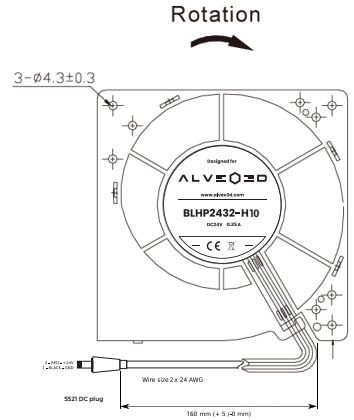
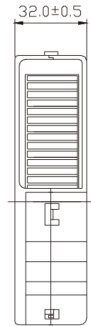
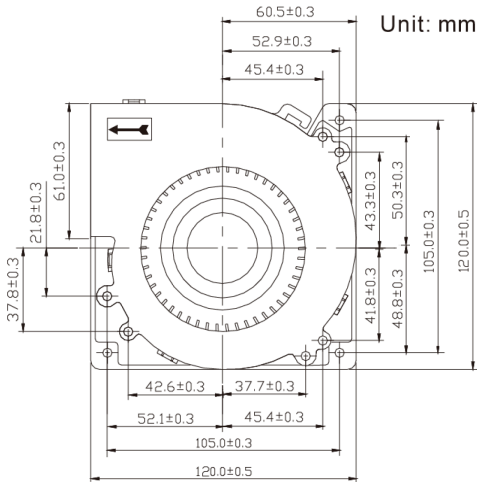


BLHP2432-H10 FAN: DATASHEET

DC BLOWER FAN 120x120x32MM



◆ DIMENSIONS DRAWING



◆ CONNECTORS

HOUSING	:	5521 DC plug
CONNECTION LEAD TYPE	:	UL1007 24# AWG L= 160mm
BLACK WIRE	:	NEGATIVE -
RED WIRE	:	POSITIVE +

BLHP2432-H10 FAN: DATASHEET

◆ TECHNICAL SPECIFICATIONS

DIMENSIONS	:	120*120*32mm
BEARING TYPE	:	TWO BALL BEARING 50000 hrs life expectancy at 40°C
RATED VOLTAGE	:	DC 24V
OPERATING VOLTAGE	:	DC 21.6V-26.4V
START-UP VOLTAGE	:	18.0V ON/OFF
INPUT CURRENT	:	0.25A±10% (max 0.3A)
INPUT POWER	:	6W±10% (max 7.6W)
RATED SPEED	:	2200±10%RPM
MAX.AIR FLOW	:	43.5 CFM (REF.) AT ZERO STATIC PRESSURE . (Max. Static Pressure) 30.45 mm/H2O
ACOUSTICAL NOISE MAX.	:	48.5 dB-A REF. 1 meter away from blower
POLARITY PROTECTION	:	YES
LOCKED ROTOR PROTECTION	:	YES
SIGNAL OUTPUT	:	NO
SPEED CONTROL	:	NO
AUTO RESTART	:	YES
ROTATING DIRECTION	:	ANTI-CLOCKWISE
OPERATING TEMPERATURE RANGE	:	-10°C ~ 70°C
OPERATING HUMIDITY RANGE	:	35% ~ 85%

BLHP2432-H10 FAN: DATASHEET

◆ ELECTRICAL SPECIFICATIONS

Polarity Protection : Open circuit when Vcc & GND are exchanged

Insulation Resistance : 500 VDC/min(10 M Ω / b/w unshielded wire and frame
at 500 VDC/min)

Dielectric Strength : 500 VAC/min(5 mA Max. / Measured b/w lead wire (+)
and frame at 500 VAC/min)