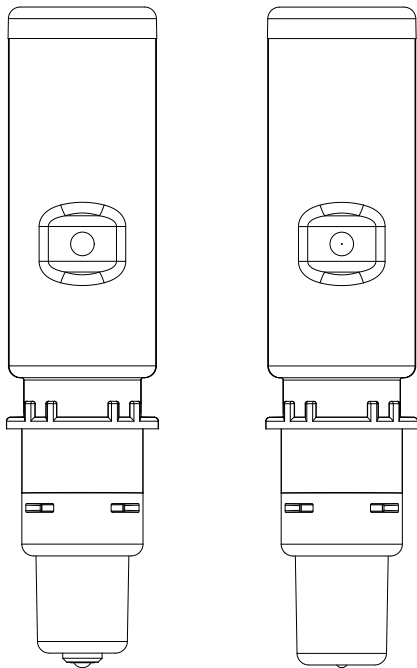


Silhouette Cutting Machine
Supplies Manual

Heat Pen

MANUAL NO. SILH-HEAT-PEN-M-151



To ensure safe use

CAUTION

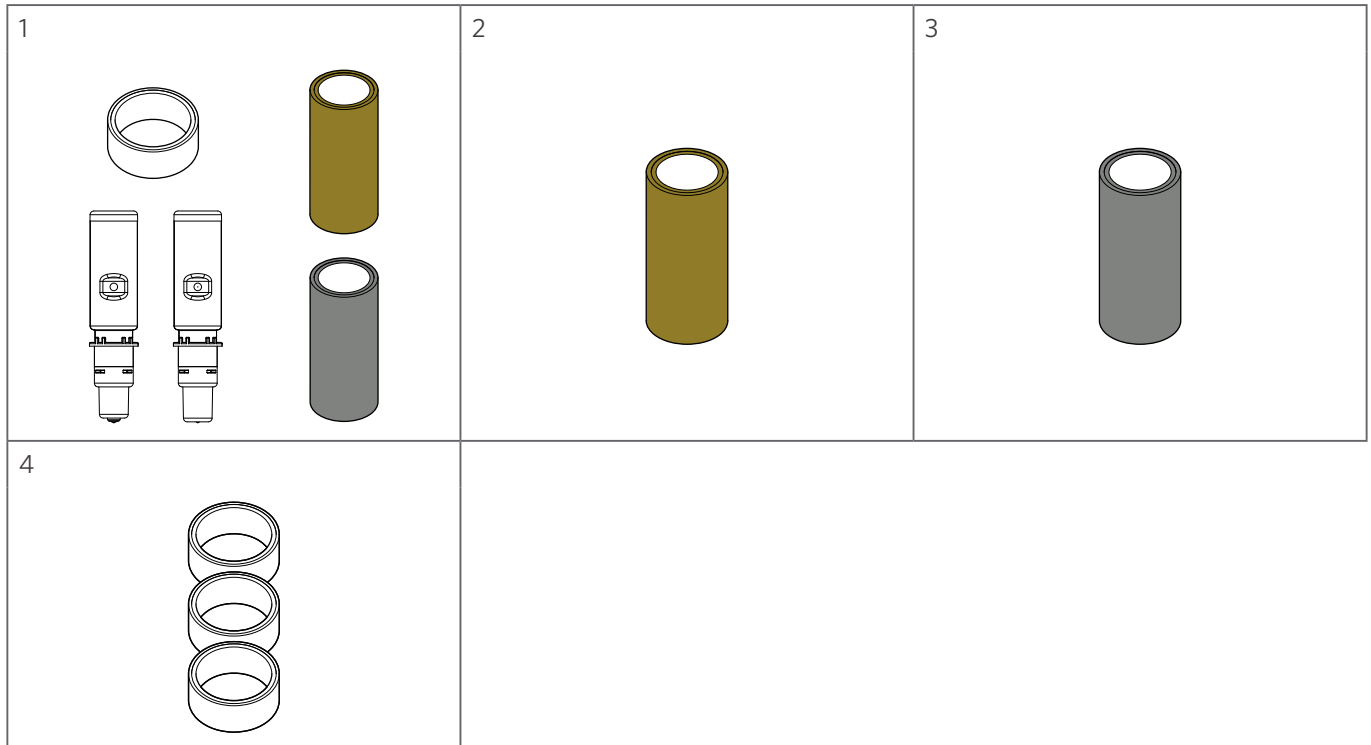
- Please read this manual carefully in advance to use the product safely and correctly.
- The precautions listed in this manual are important for your safety. Always observe these precautions.

Precautions for Use

- For instructions on how to use the cutting machine, refer to the User's Manual for the machine's main unit.
- Please be aware that the pen tip becomes hot and can cause burns. Please allow enough time for the tip to cool after use before touching it.
- Please note that some leathers with a coarse surface are difficult to transfer foils onto.
- Foil may peel off on some media after transfer.
- When using light-reflecting media, if the media height cannot be read, press the "Thickness Detection Button" when the tool carriage is on top of the masking tape holding the media in place to set the height of the media.
- When using an electrostatic table, do not fold the electrostatic table protection sheet.
- The media and tool setting methods vary depending on the model you use. For more details, please refer to the User's Manual for the main unit.
- The contents of the Supplies Manual are subject to change without notice.

About Heat Pen

The following optional sets (sold separately) are available for purchase to use with the Heat Pen.



	Product Name	Model Number	Contents
1	Heat Pen Set	SILH-HEAT-PEN	Heat Pen: 2, Tip sizes: Fine (1 mm), Wide (2.5 mm) Transfer foil for Heat Pen - Gold: 1, (3 in. x 3 ft.) (76 mm x 1 m) Transfer foil for Heat Pen - Silver: 1, (3 in. x 3 ft.) (76 mm x 1 m) Masking tape: 1, (0.6 in. x 10 ft.) (15 mm x 3 m)
2	Transfer foil for Heat Pen - Gold	FOIL-TRANS-GLD	2 pcs., 3 in. x 33 ft. (76 mm x 10 m)
3	Transfer foil for Heat Pen - Silver	FOIL-TRANS-SVR	2 pcs., 3 in. x 33 ft. (76 mm x 10 m)
4	Masking tape	MASKING-TAPE-01	3 pcs., 0.6 in. x 20 ft. (15 mm x 6 m)

Overview

The Heat Pen can transfer foil onto media placed under transfer foil.

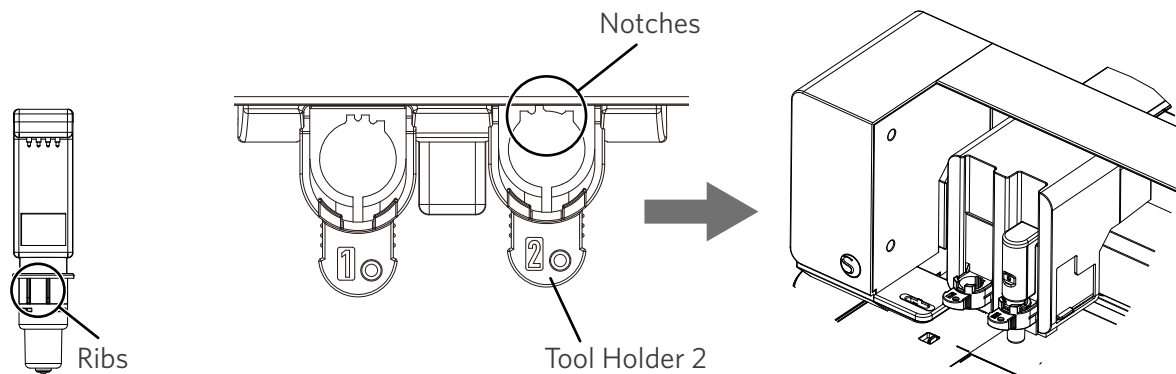
Supported model

CURIO2

How to apply foil to media and install tools

- 1 Align the ribs of the Heat Pen Tool with the notches of Tool Holder 2 and insert the Heat Pen Tool firmly into Tool Holder 2 before pushing the lock lever back to lock the parts into place.

- Be sure to set the Heat Pen onto Tool Holder 2.



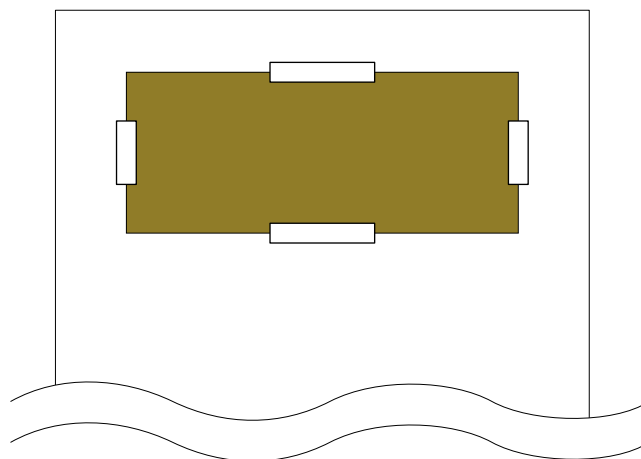
- 2 When the power (heating) is turned on with Silhouette Studio, the Heat Pen Tool starts to heat up, and the lamp on the Heat Pen lights up in red.

The Heat Pen Tool reaches a temperature suitable for transferring foil in about 3 minutes.

⚠ CAUTION

Please be aware that the pen tip becomes hot and can cause burns. Please allow enough time for the tip to cool after use before touching it.

- 3 After measuring the thickness of the media, lay the foil you wish to transfer on top and securely fix the four sides of the media and foil in place with masking tape.



When test-cutting

- 1 After setting the cutting conditions, click the "Test" button to start the test cut.
- 2 When the test cut is finished, peel off the transfer foil and check that the transfer is clean without any uncut parts left on the foil.
- 3 If the foil did not transfer well, readjust the cutting conditions.

Supplement

Try readjusting the conditions and repeat the test-cutting until you find the optimum cutting conditions for the media you want to use.