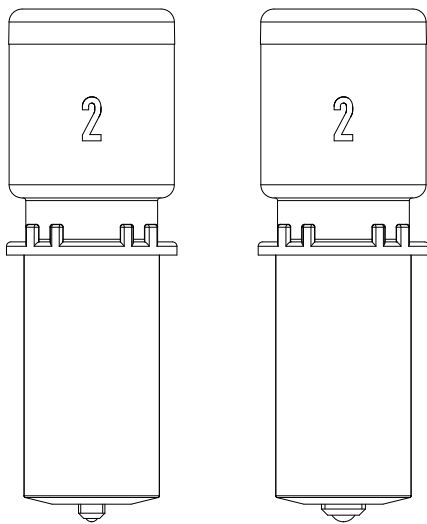


Silhouette Cutting Machine
Supplies Manual

Embossing Tool (Type C)

MANUAL NO. SILH-TOOL-EMB-SET-M-151



To ensure safe use

⚠ CAUTION

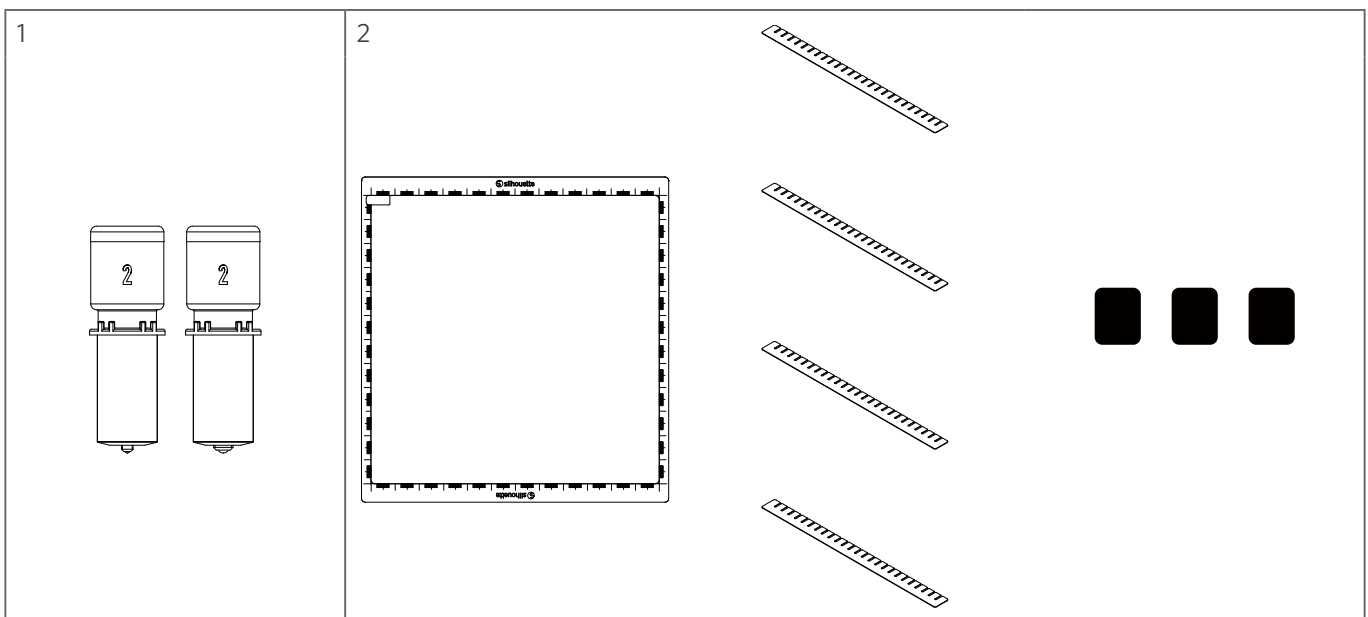
- Please read this manual carefully in advance to use the product safely and correctly.
- The precautions listed in this manual are important for your safety. Always observe these precautions.

Precautions for Use

- For instructions on how to use the cutting machine, refer to the User's Manual for the machine's main unit.
- To use the Embossing Tool (Type C), you need to purchase the "Embossing Mat - 12 in. x 12 in." (sold separately).
- The media and tool setting methods vary depending on the model you use. See the main unit's User's Manual for details.
- The contents of the Supplies Manual are subject to change without notice.

About Embossing Tool (Type C)

The following items (sold separately) are required for embossing.



	Product Name	Model Number	Contents
1	Embossing Tool (Type C)*1	SILH-TOOL-EMB-SET	2 pcs, Tip sizes: Fine (1 mm), Wide (3 mm)
2	Embossing Mat - 12 in. x 12 in.	SILH-MAT-EMB-12	1 pc., 12 in. x 12 in. (305 mm x 305 mm) Media plate x4, registration-mark sheet x3

*1: To use the Embossing Tool (Type C), you need to purchase the "Embossing Mat - 12 in. x 12 in." (sold separately).

To purchase accessories sold separately, contact the retailer where you purchased this product.

Overview

The Embossing Tool (Type C) can be used to emboss on media.

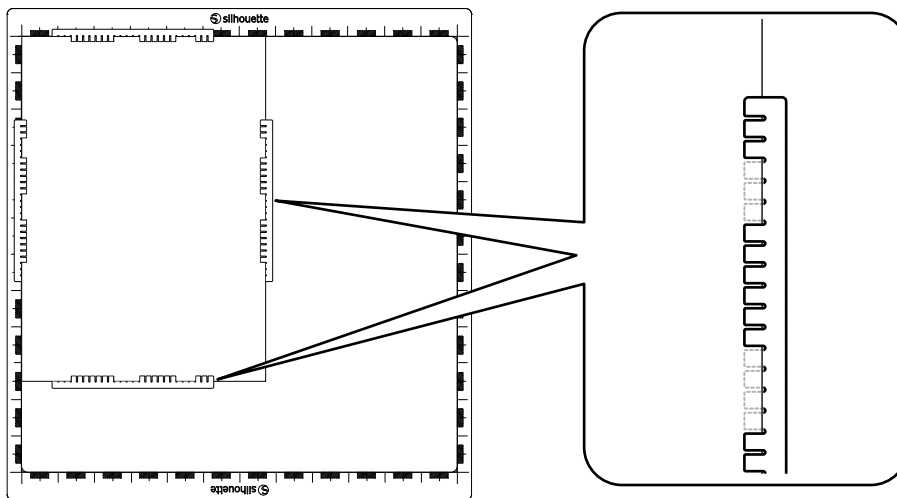
Supported model

CURIO2, CAMEO5

How to fix media in place and install tool

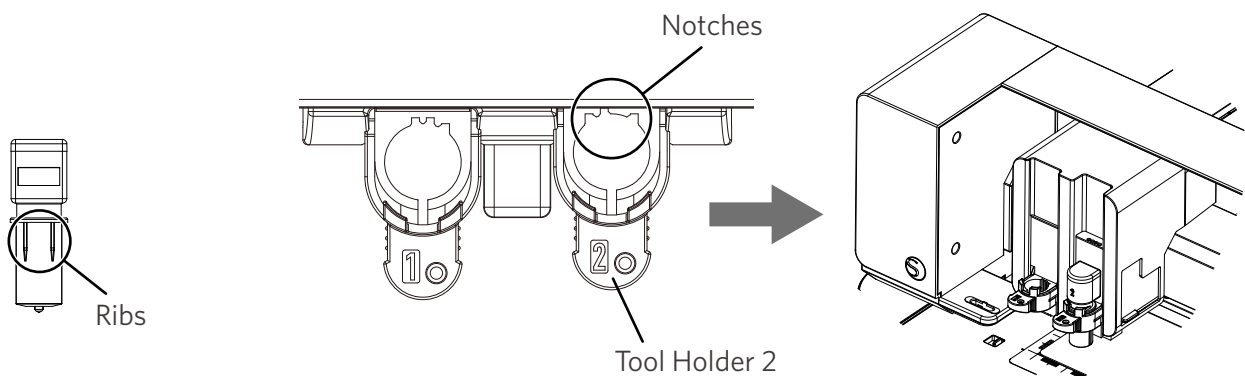
1 By setting the four sides of the media into the media plates, the media is fixed to the embossing mat.

- Slide the media plate to insert the media.



2 Align the ribs of the Embossing Tool with the notches of Tool Holder 2 and insert the Embossing Tool firmly into Tool Holder 2 before pushing the lock lever back to lock the parts into place.

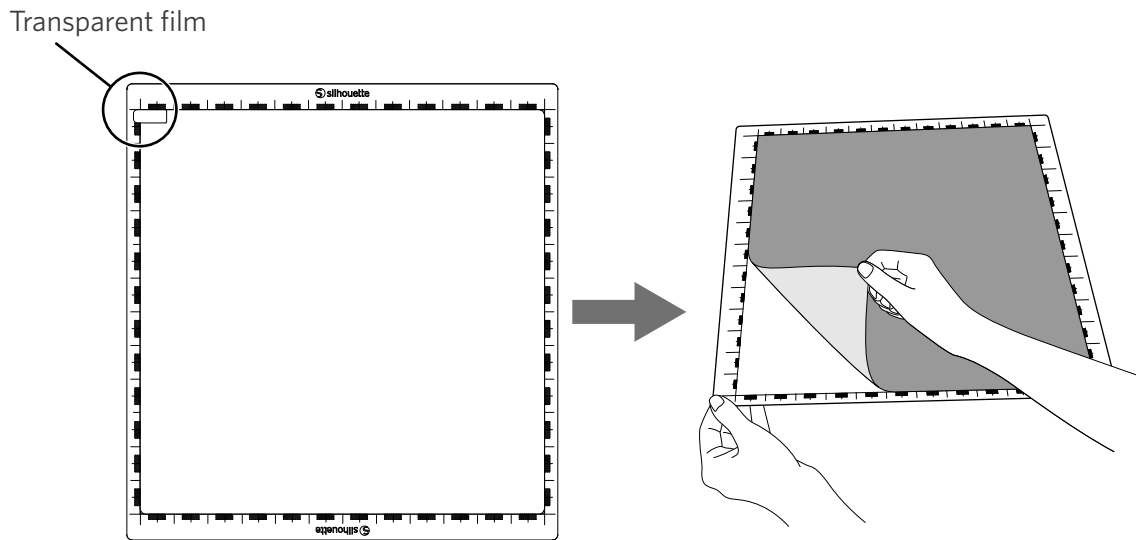
- Be sure to set the Embossing Tool onto Tool Holder 2.



Note

Silhouette Studio includes creasing and embossing functions. These functions allow you to perform half-cutting with the Auto Blade before embossing to perform the embossing more neatly. To use these functions, the Auto Blade must be set onto Tool Holder 1.

Embossing Mat Usage Precautions and Storage Methods



- Do not fold the embossing mat.
- Before using the embossing mat, peel off the transparent film on the mat. After using, return the film to its original position on the mat before putting the mat away.