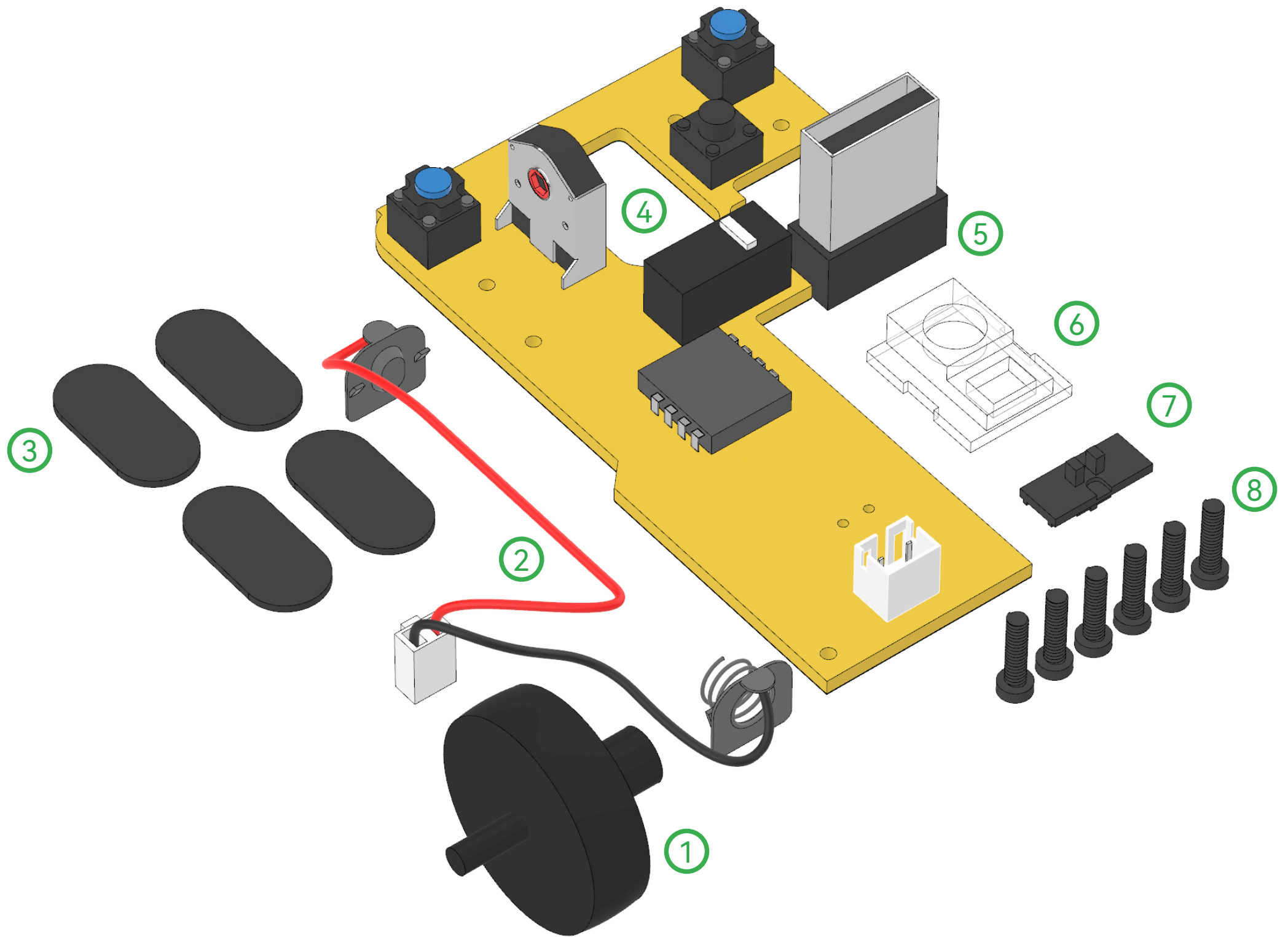


# Bambu Lab

## Wireless Mouse Components Kit-002 Assembly Guide

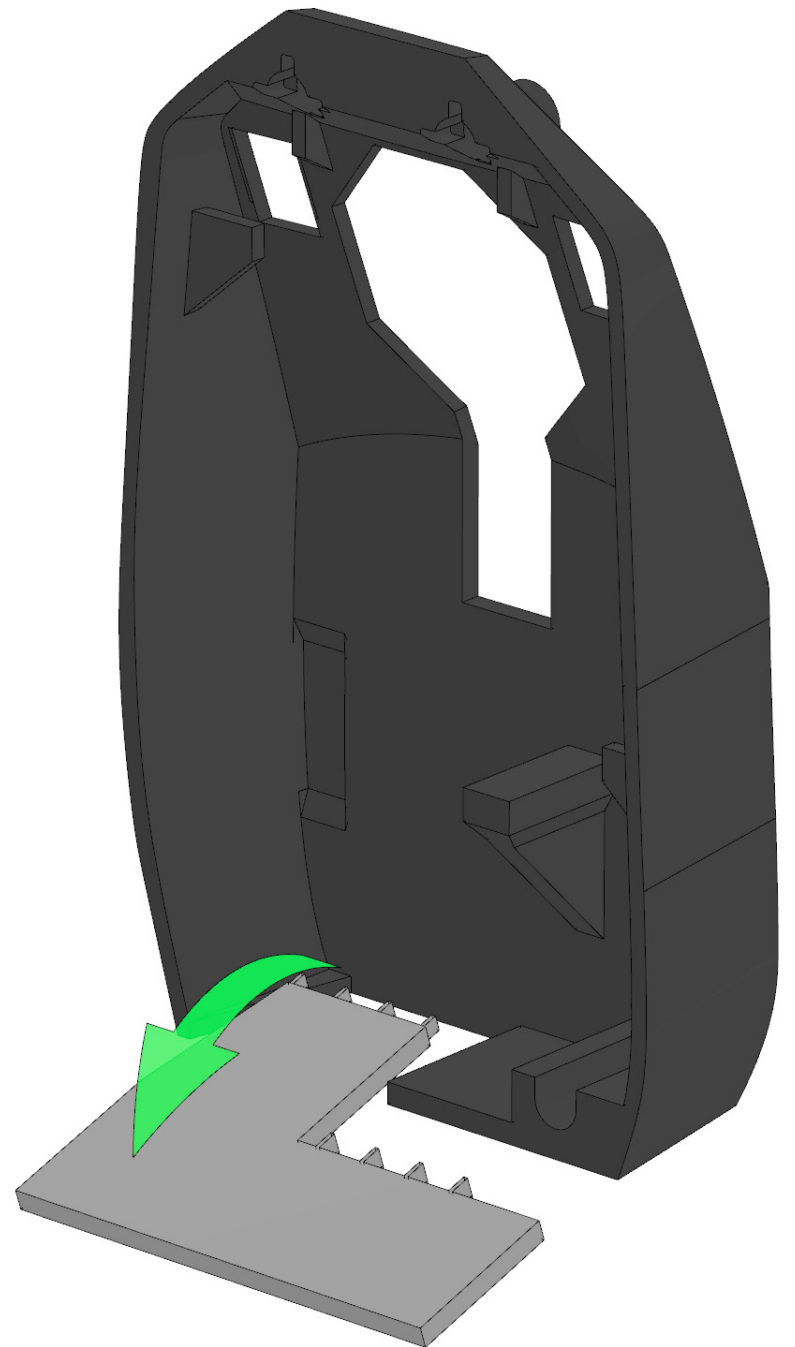
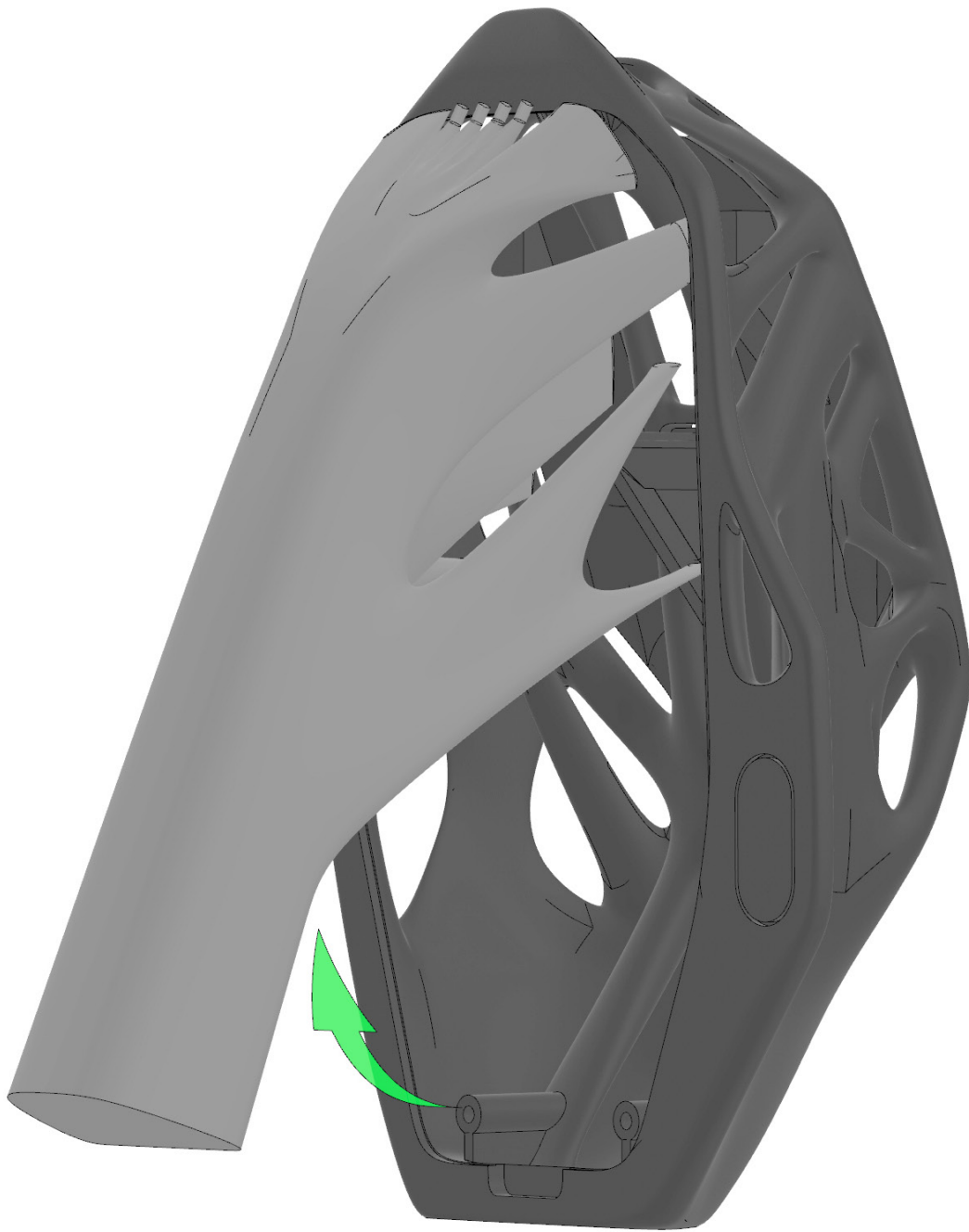


# List

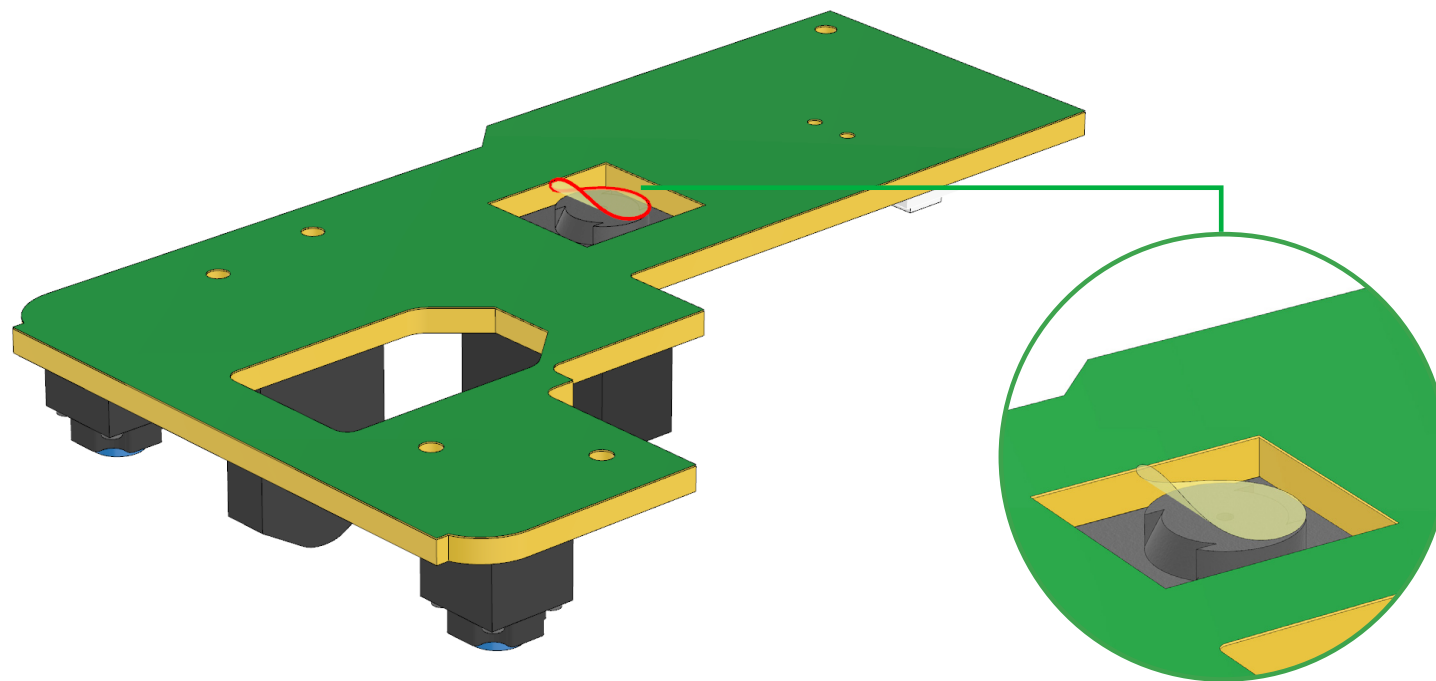


- ① Scroll Wheel
- ② Power wires
- ③ Mouse Foot Pads (x4)
- ④ PCB Board
- ⑤ 2.4G Module
- ⑥ Lens
- ⑦ Toggle Switch
- ⑧ BT2x8 Screws(x6)

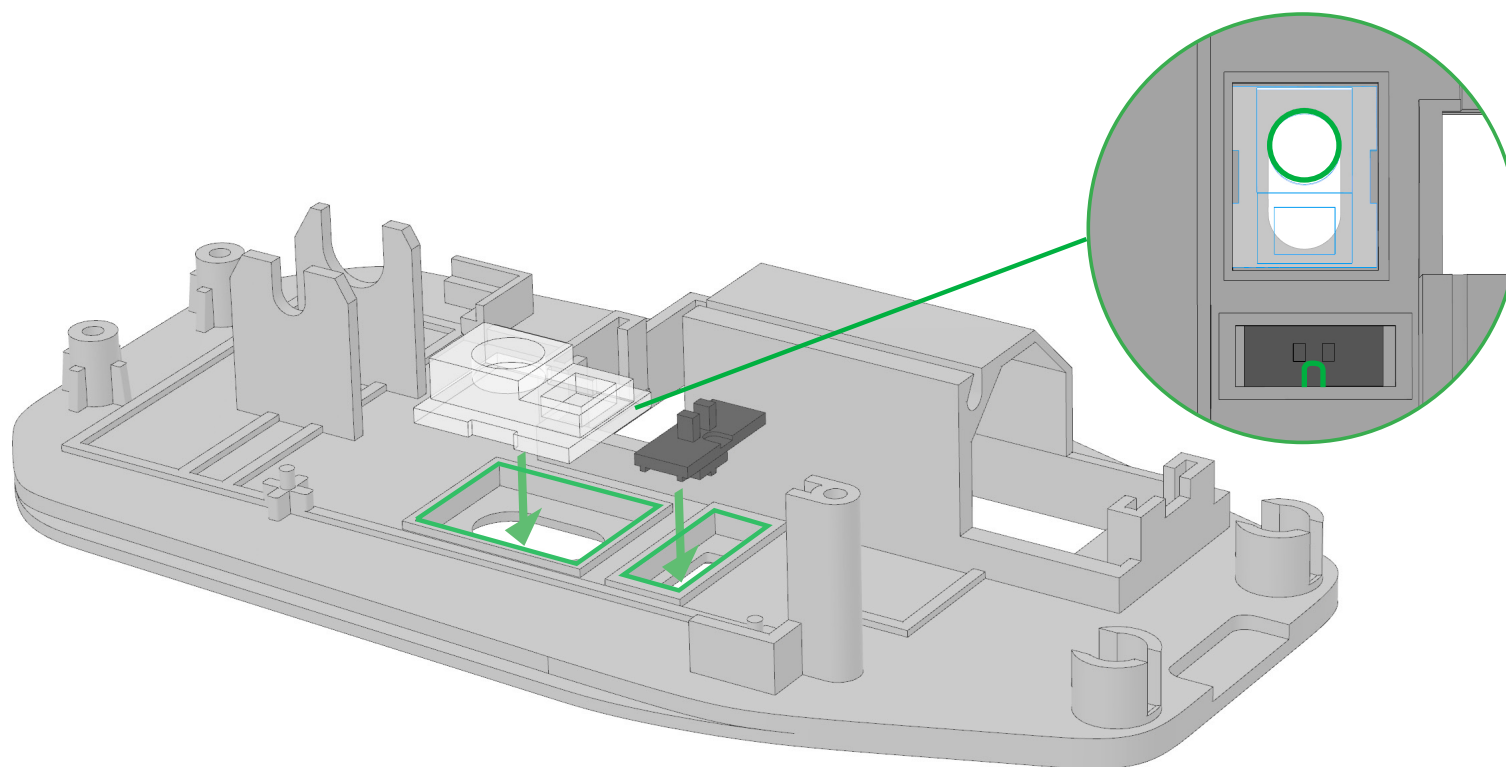
# Installation Steps



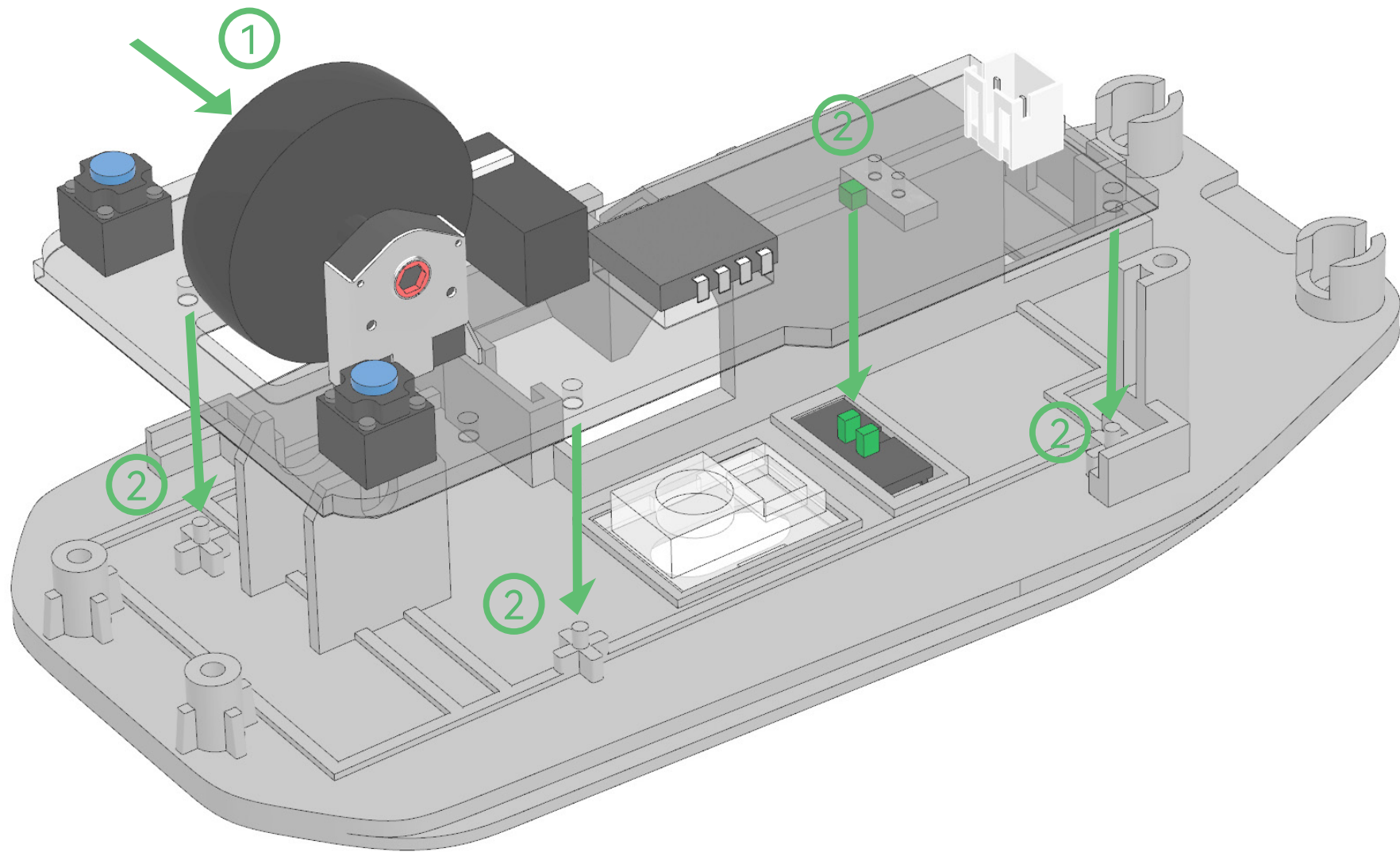
① Remove 3D print support structures.



① Remove the protective film from the sensor surface.

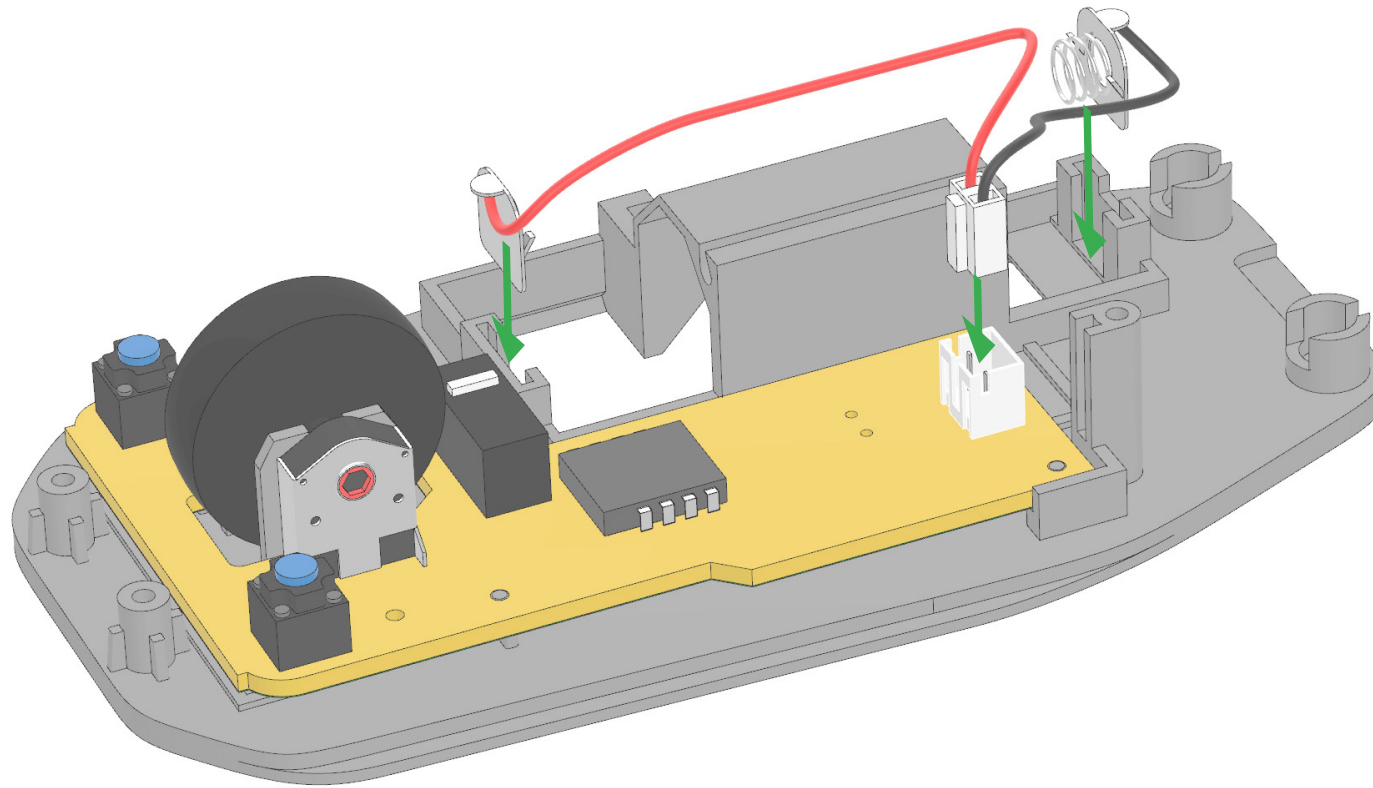


② Place the PCB board and toggle switch in their respective positions.

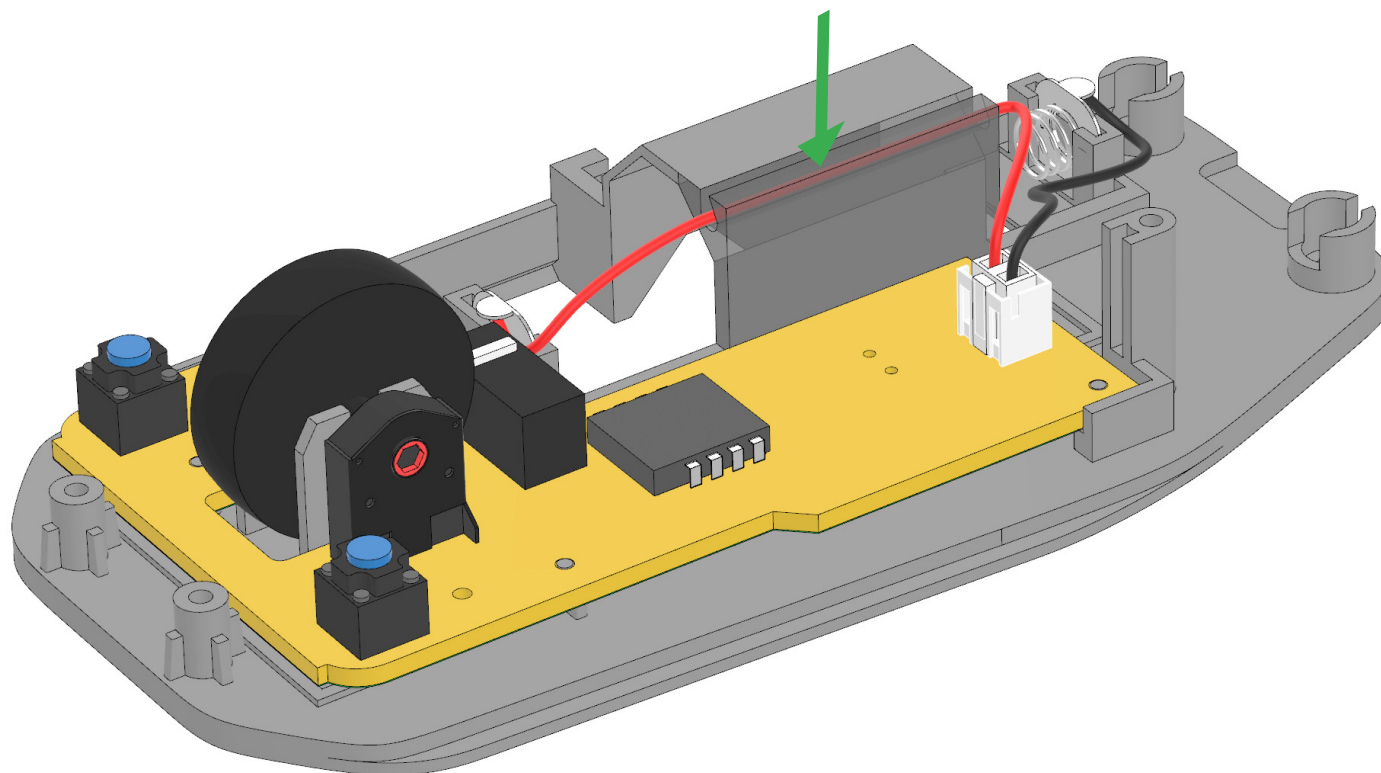


① Install the scroll wheel onto the PCB.

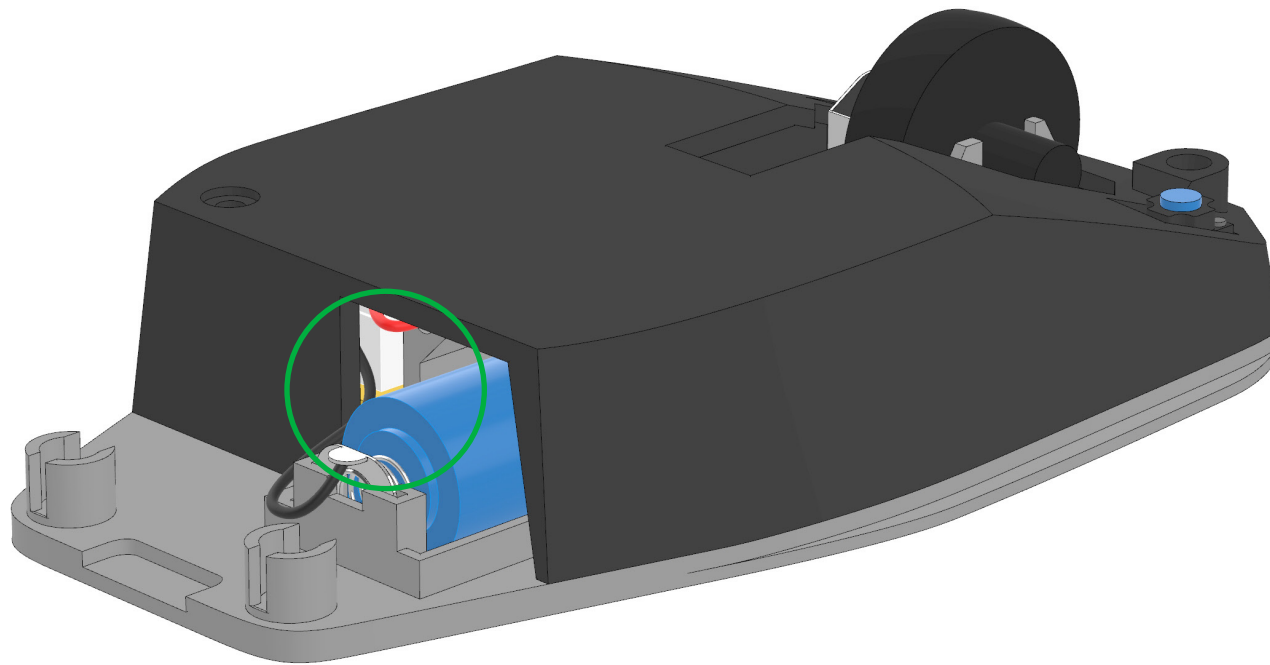
② Install the PCB onto the base plate, taking care to align with the toggle switch and the positioning holes.



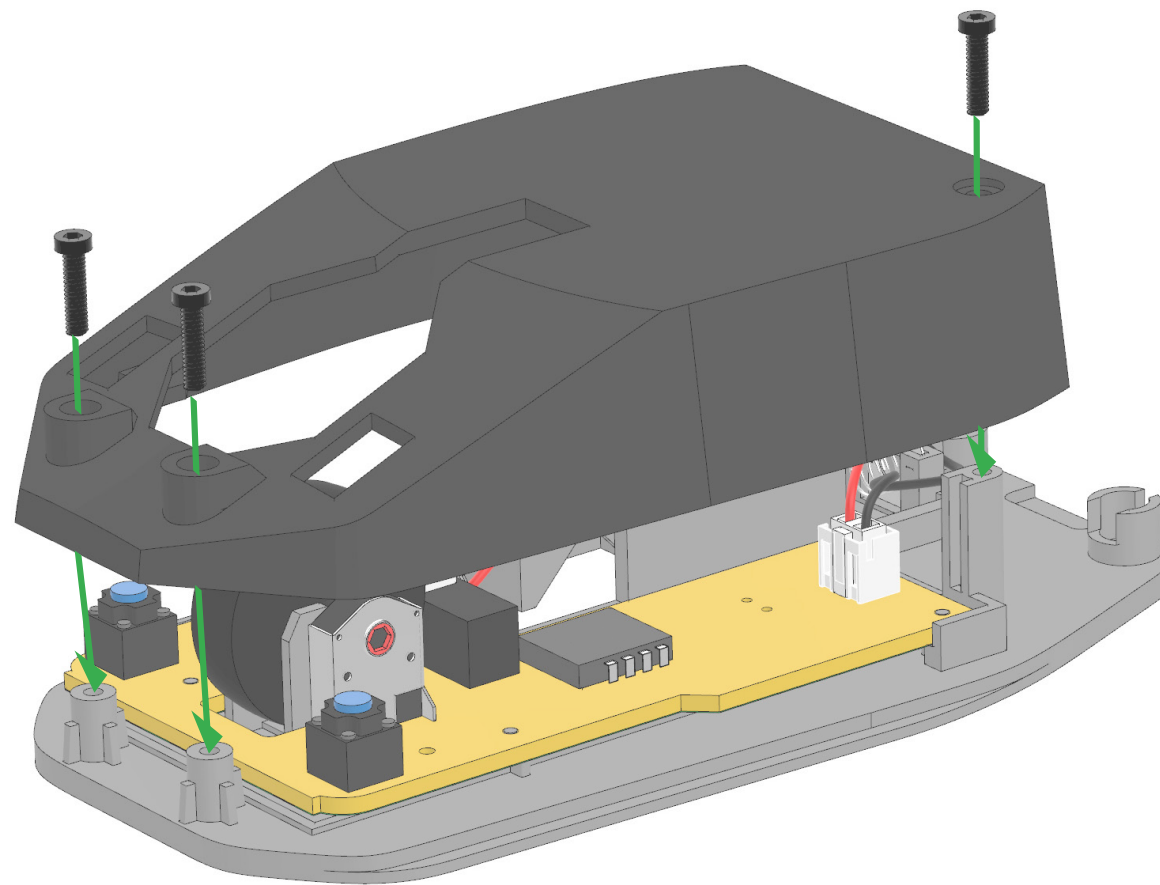
① Insert the positive and negative terminals, as well as the socket, into their respective slots.



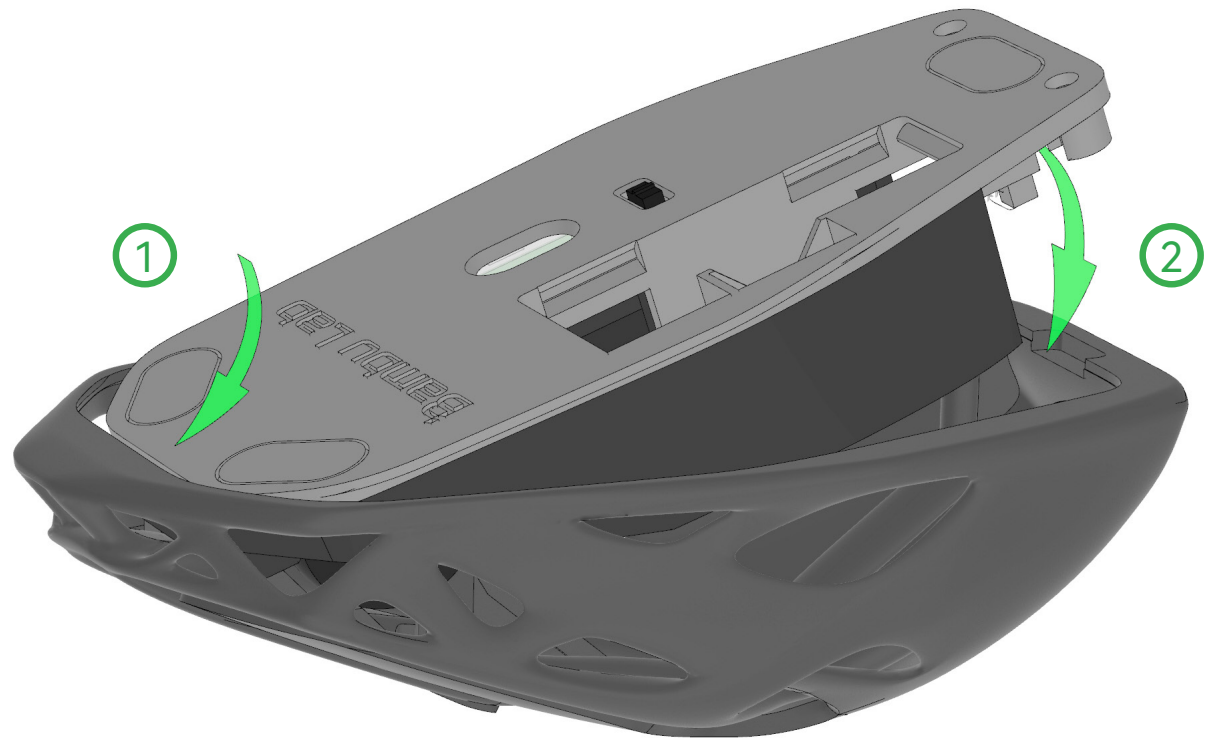
② Gently tuck the positive (red) wire into the wire groove.



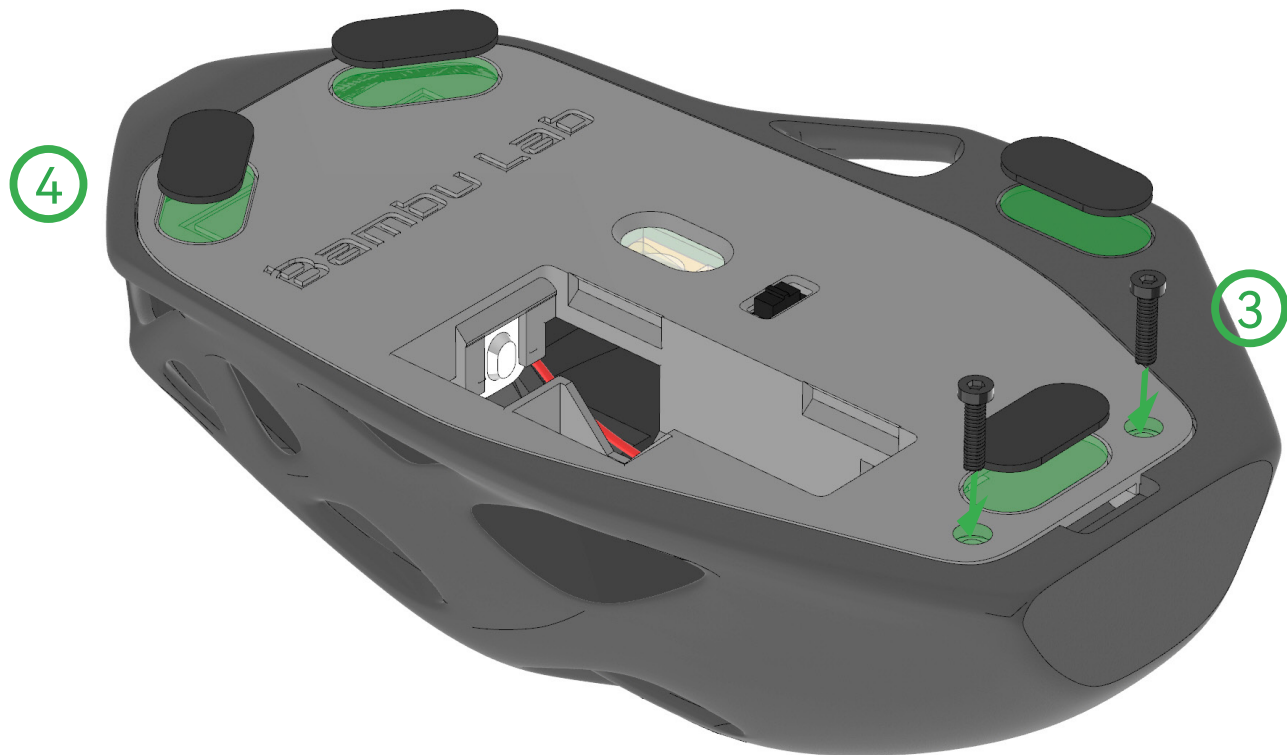
① Be careful to avoid pressure on the wires from the PCB cover plate.



② Secure the PCB cover plate to the base plate using 3 screws.

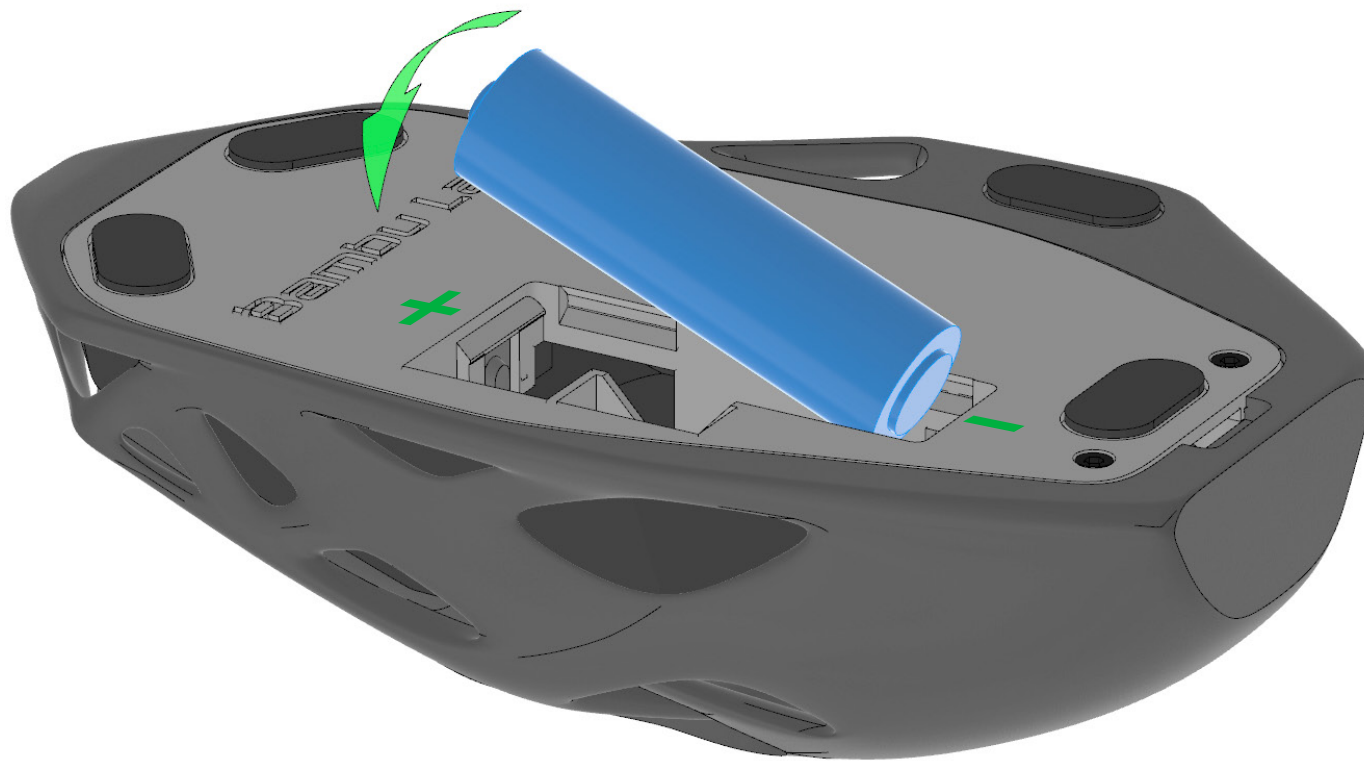


- ① Insert the front of the mouse into the front end of the upper shell.
- ② press down gently to secure the rear of the mouse.

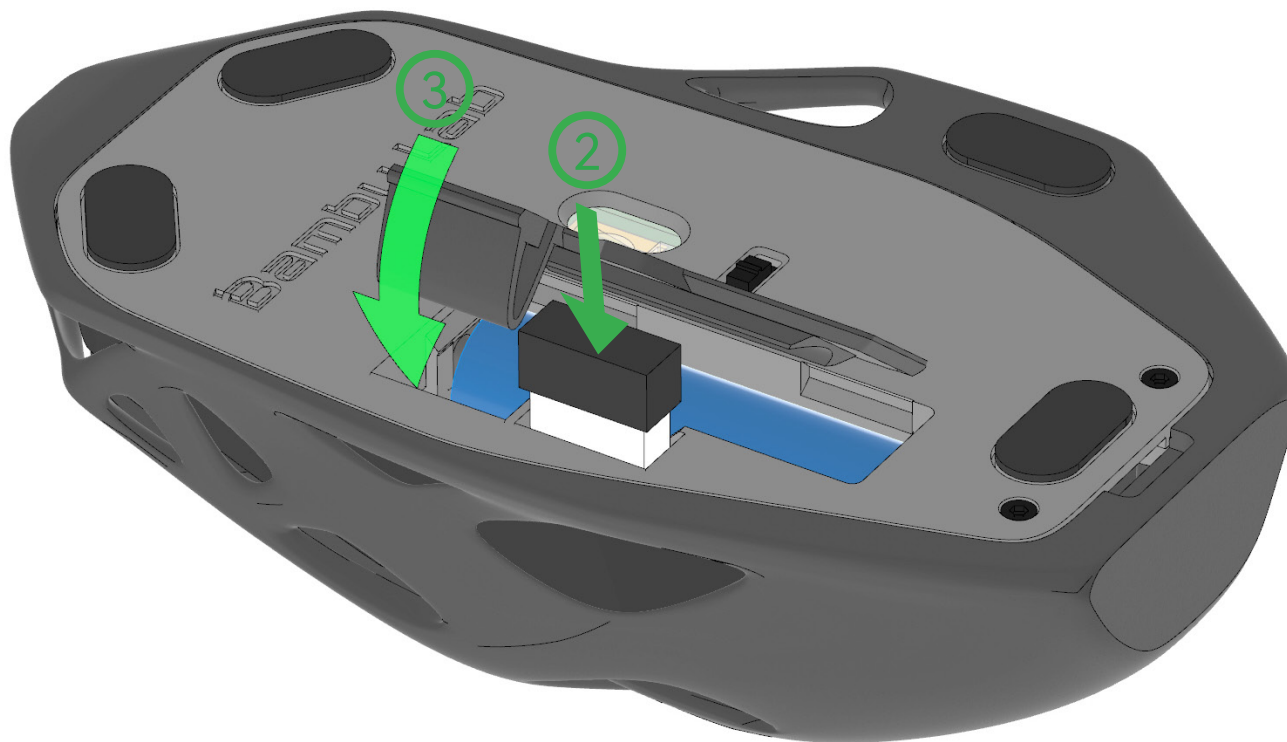


- ③ Secure the base plate with two screws.
- ④ Attach the mouse foot pads.





① Insert the battery.

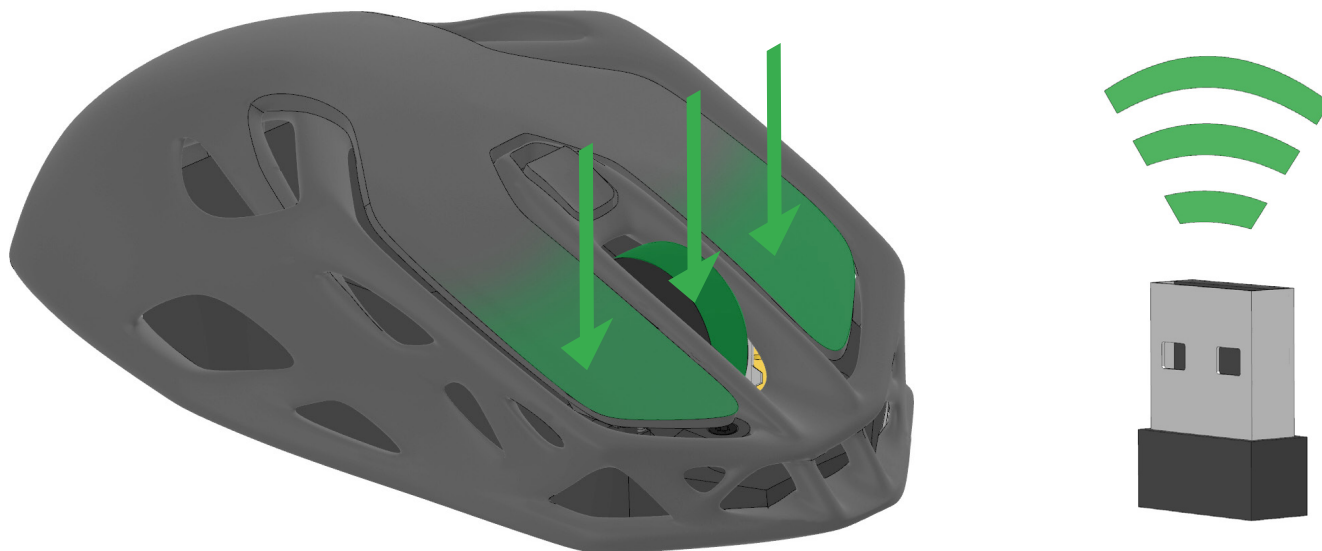


② Insert the 2.4G module.

③ Press down and snap on the battery cover.



Note1:Push in the area of the battery cover depicted above to open it.



Note 2: If the mouse disconnects during initial startup, you can perform a pairing operation as described below:

1. Keep the mouse powered off.
2. Insert the receiver into the computer.
3. Place the mouse as close as possible to the receiver.
4. While holding down the left button, right button, and scroll wheel button, power on the mouse.
5. Continue to hold down the 3 buttons for 4-5 seconds.
6. When the arrow on screen changes, power off the mouse.
7. Power the mouse on again to resume normal use.